

GOA9xx14

1400A AC SWITCH

Fuse protection
Blown fuse indicators with microswitch
Over temperature switches
Fan loss detection circuit
Snubber for SCR's protections
Extractible stacks for easy field service

LINE VOLTAGE UP TO 500V

OUTPUT CURRENT 1400A

Available line to line voltages	GOA94014 - 400 V	GOA94014 - 500 V
---------------------------------	-------------------------	-------------------------

Characteristic	Conditions	Value
V _L	Line to line voltage	500 V
I _{DC}	Output current	$\alpha=0$ 1400 A
V _{INS} (rms)	Insulation voltage	1 min @ 25°C 3000 V
P _L	Power losses	$\alpha=0$ 4.5 kW

Thyristor type GTP2220-16

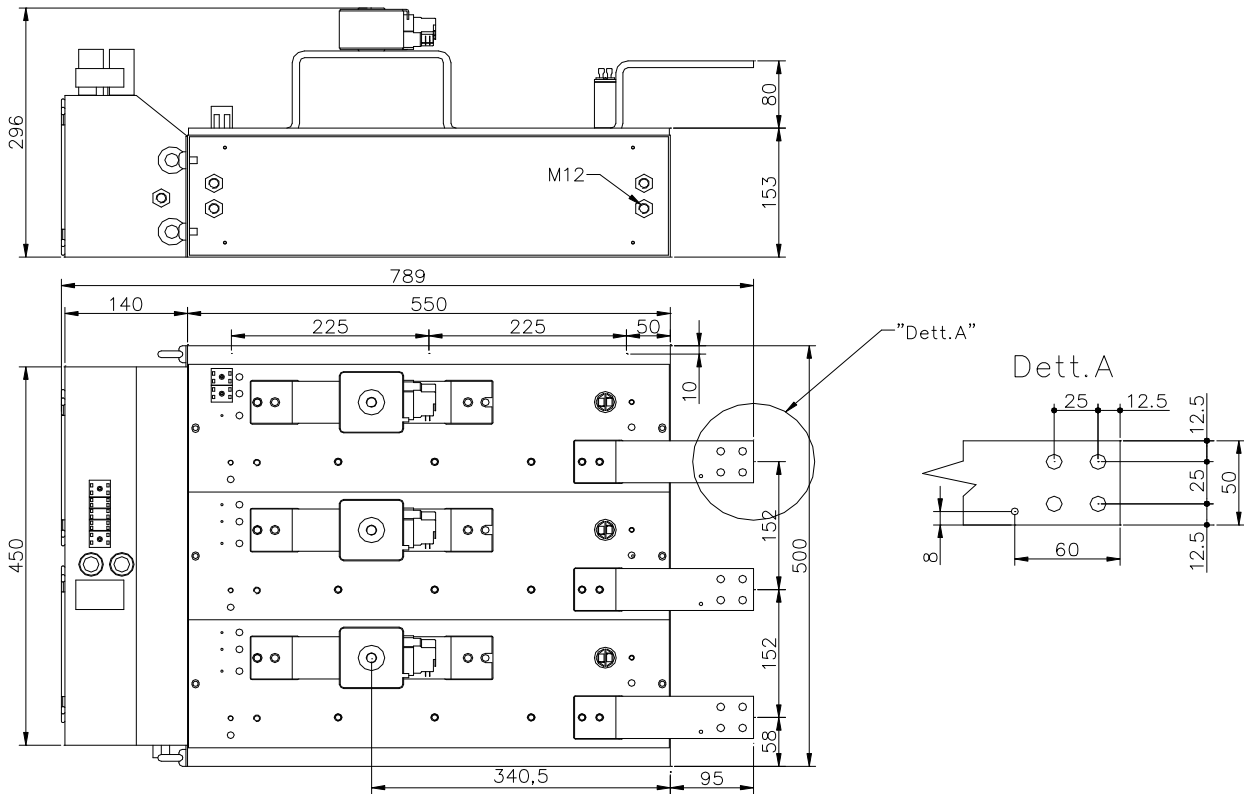
V _{GT}	Gate trigger voltage	T _J = 25 °C, V _D = 5 V	3 V
I _{GT}	Gate trigger current	T _J = 25 °C, V _D = 5 V	300 mA
dV/dt	Critical rate of rise off-state voltage	T _J = 125 °C	1000 V/us
V _{RRM}	Blocking Voltage	T _J = 125 °C	1600 V

Fuses type 2068132.800

V _{NF}	Rated voltage		690 V
I _{NF}	Rated current		800 A
P _{VF}	Power loss	At rated current	118 W
I ² t	Total I ² t		480 kA ² s

MECHANICAL AND THERMAL CHARACTERISTICS

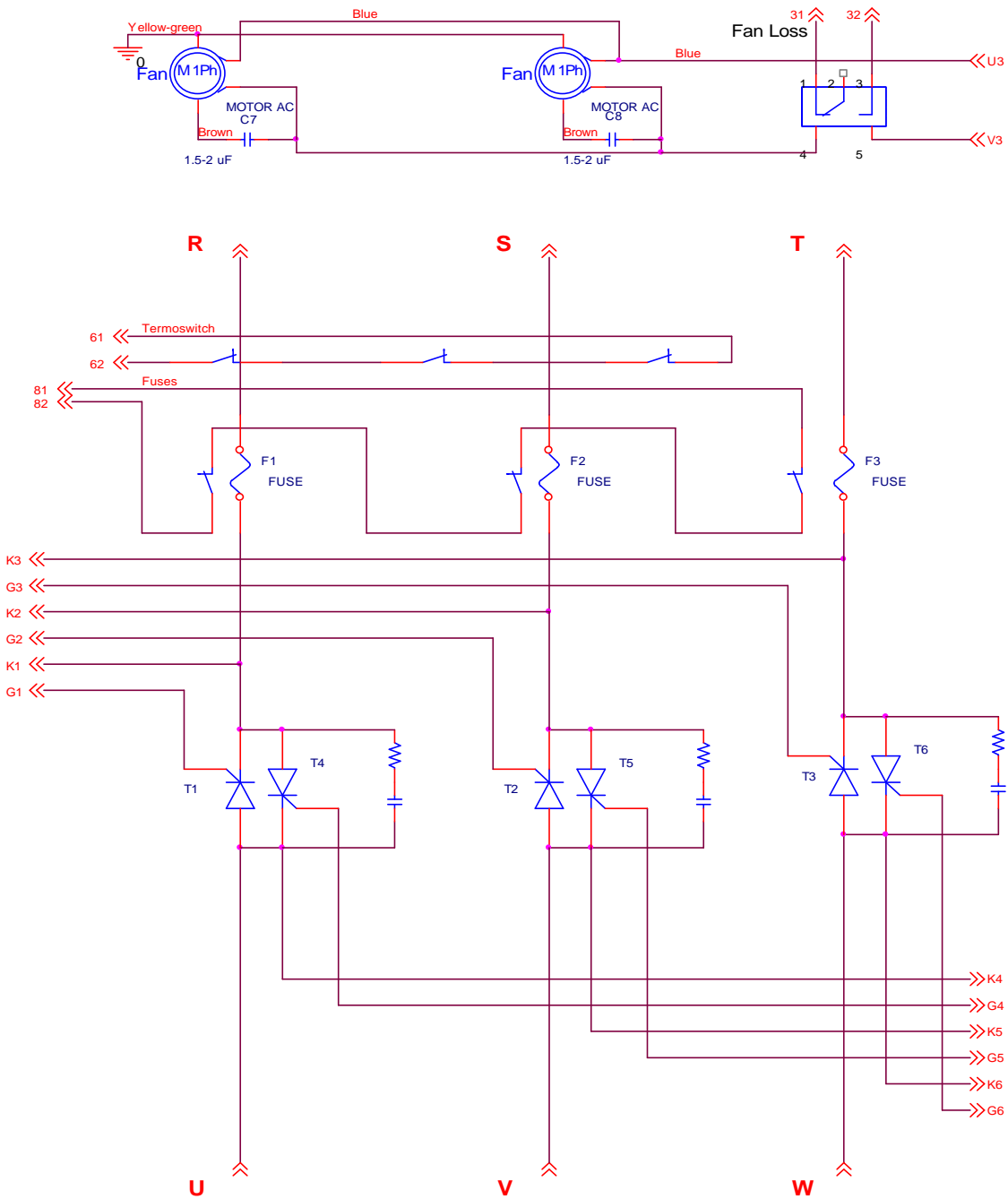
	Width		500 mm
	Depth		296 mm
	Height		789 mm
	Mass		70 kg
T _{a max}	Max amb. op. Temp.		40 °C
T _{stg}	Storage temperature		-40/60 °C



The part numbering system is reported at the beginning of the Open Assembly section.

Customisations are available on request. Please contact factory.

In the interest of product improvement Green Power Solutions reserves the right to change any specification given in this data sheet without notice.



Cooling:

Fan type: single phase axial
 Number of fans: 2
 Voltage: 230 V
 Current: 0.4 A
 Frequency: 50/60 Hz
 Noise: 62 dBA

In the interest of product improvement Green Power Solutions reserves the right to change any specification given in this data sheet without notice.