

Process displays electronic

Analogue inputs and outputs for measured values

Large 14 mm display LED, 6-digits, programmable

PCD45



PCD45 - Process display

Features

- Process display
- Display 6-digits
- Connection: Two one-channel analogue sensors
- Two limits
- Ratio display
- Three analogue outputs
- Programmable peak value memory (slave pointer)
- Interface RS232 or RS422/RS485

Technical data - electrical ratings

Voltage supply	85...265 VAC (50/60 Hz) 18...30 VDC
Power consumption	7 VA, 5 W
Sensor supply	18 VDC \pm 10 % / 350 mA
Display	LED, 7-segment display
Number of digits	6-digits
Digit height	14 mm
Function	Digital display of 2 analogue measured values Peak value memory (slave pointer)
Measuring principle	Analogue resolution 12 bit
Input logic	PNP
Control inputs	3 outputs
Control functions	Hold, Reset, Keylock, etc.
Data memory	>10 years in EEPROM
Analogue input	0(2)...10 V, 0(4)...20 mA Resolution 12 bit Temp. coeffic. typ. \pm 20 ppm/ $^{\circ}$ C
Analogue output	3 analogue outputs 0...+10 V, -10...+10 V Resolution 12 bit Temp. coeffic. typ. \pm 20 ppm/ $^{\circ}$ C
Outputs relay	Potential-free change-over contact
Interfaces	RS232, RS422, RS485
Standard DIN EN 61010-1	Protection class II Overvoltage category II Pollution degree 2
Emitted interference	DIN EN 61000-6-3
Interference immunity	DIN EN 61000-6-2

Description

Two analog inputs for connection of two sensors. This information can be indicated by F1 and F2. Both measured values F1 and F2 are calculated internally and output by F3. The measured values F1, F2 and F3 can be output as separate analogue signals -10...+10 V / 0...+10 V for process control. Two limits „P1“ and „P2“ that may be assigned at will enable monitoring of production processes.

Technical data - electrical ratings

Programmable parameters	Analogue inputs and outputs 2 limits Control inputs Calculating functions Offset (maximum and minimum analogue limit)
Approvals	UL/cUL, CE conform

Technical data - mechanical design

Operating temperature	0...+50 $^{\circ}$ C
Storing temperature	-20...+70 $^{\circ}$ C
Relative humidity	80 % non-condensing
Core cross-section	1.5 mm ²
Protection DIN EN 60529	IP 65 face with seal
Operation / keypad	Membrane with softkeys
Housing type	Housing for control panel installation
Dimensions W x H x L	96 x 48 x 124 mm
Cutout dimensions	96 x 45 mm (+0.6)
Installation depth	123.75 mm
Mounting	Front panel installation by clip frame
Weight approx.	350 g (AC), 250 g (DC)
Material	Housing: Makrolon 6485 (PC)

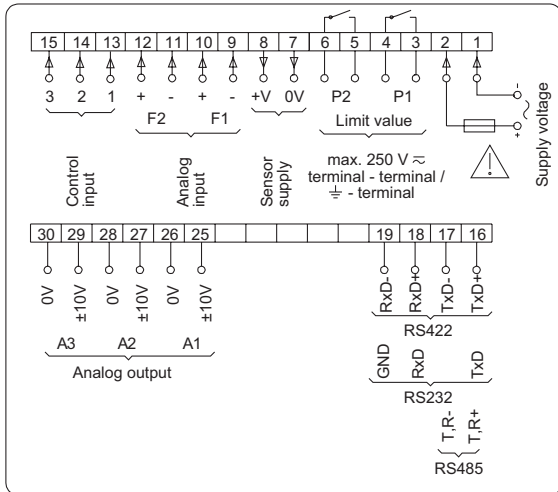
Process displays electronic

Analogue inputs and outputs for measured values

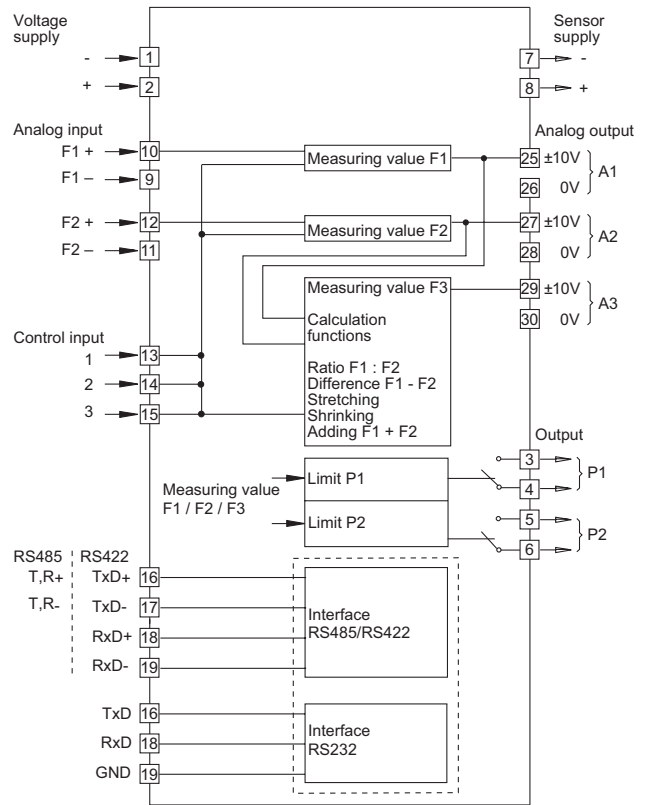
Large 14 mm display LED, 6-digits, programmable

PCD45

Connection diagram



Block circuit diagram



Trigger level

Comparator inputs	Input circuit
Inputs	PNP-logic
Input level	Programmable
Input level Low	0...2 VDC
Input level High	3...40 VDC
Input resistance	3 kΩ
Relay outputs	Output circuit
Switching voltage max.	250 VAC / 110 VDC
Switching current max.	1 A
Switching capacity max.	150 VA / 30 W
Relay responding time	5 ms

Process displays electronic

Analogue inputs and outputs for measured values

Large 14 mm display LED, 6-digits, programmable

PCD45

Part number

PCD45. **PX01**

Voltage supply

- 2 85...265 VAC
- 3 18...30 VDC

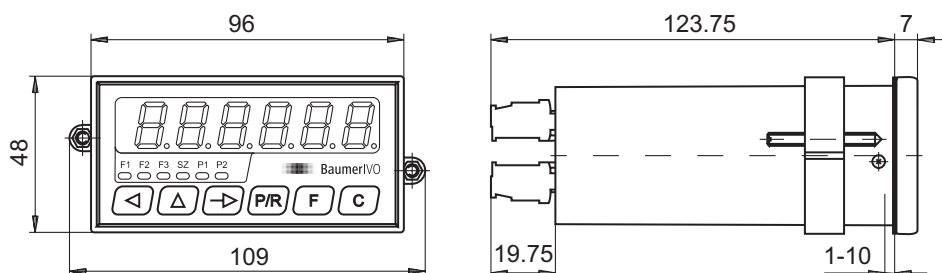
Inputs / outputs

- 0 0...10 V input / -10...+10 V output
- 1 0...20 mA input / -10...+10 V output
- 2 0...10 V input / 0...+10 V output
- 3 0...20 mA input / 0...+10 V output

Interface

- 0 Without interface
- 1 RS422 / RS485
- 2 RS232

Dimensions



Process displays electronic
Analogue inputs and outputs for measured values
Large 14 mm display LED, 6-digits, programmable

PCD45
