

# CRYSTAL CONTROLLED OSCILLATORS

## SURFACE MOUNT 3.3V LVPECL CLOCK



### FPLD64TEG5

#### ABSOLUTE MAXIMUM RATINGS

TABLE 1.0

PARAMETER	UNITS	MINIMUM	NOMINAL	MAXIMUM	UNITS	NOTE
Storage Temperature		-55	-	125	°C	
Supply Voltage	(Vcc)	-0.5	-	7.0	Vdc	

#### OPERATING SPECIFICATIONS

TABLE 2.0

PARAMETER		MINIMUM	NOMINAL	MAXIMUM	UNITS	NOTE
Center Frequency	(Fo)	16.384	-	200	MHz	
Total Frequency Tolerance		-20		20	ppm	1
Operating Temperature Range		-4	-	85	°C	
Supply Voltage	(Vcc)	3.135	3.3	3.465	Vdc	
Supply Current	(Icc)	-	-	60	mA	
Jitter (BW=10Hz to 20MHz)		-	-	5	pS RMS	
Jitter (BW=12kHz to 20MHz)		-	-	1	pS RMS	

#### INPUT CHARACTERISTICS

TABLE 3.0

PARAMETER		MINIMUM	NOMINAL	MAXIMUM	UNITS	NOTE
Disable Input Voltage (High)	(Vih)	2.275	-	-	Vdc	2
Enable Input Voltage (Low)	(Vil)	-	-	1.68	Vdc	2

#### LVPECL OUTPUT CHARACTERISTICS

TABLE 4.0

PARAMETER		MINIMUM	NOMINAL	MAXIMUM	UNITS	NOTE
LOAD		-	-	50	Ohms	3
Voltage (High)	(Voh)	2.275	-	-	Vdc	
Voltage (Low)	(Vol)	-	-	1.68	Vdc	
Duty Cycle		45	50	55	%	4
Rise / Fall Time 20% to 80%		-	-	1	nS	

#### PACKAGE CHARACTERISTICS

TABLE 5.0

Package	Non-hermetic package consisting of an FR4 substrate with grounded metal cover.
---------	--

#### PROCESS RECOMMENDATIONS

TABLE 6.0

Soldering Process	See solder profile page 2.
Wash	Ultrasonic cleaning is not recommended.

#### Notes

- Includes initial tolerance, deviation over temperature, supply and load variations, shock, vibration and 20 years aging.
- When the oscillator is disabled, the true output is in a low state (Vol) and the complementary output is in the high state (Voh).
- Output must be terminated into 50 ohms to Vcc - 2V or Thevenin equivalent.
- Duty Cycle measured at 1.977V

#### DESCRIPTION

The Connor-Winfield FPLD64TEG5 is a fixed frequency, surface mount Crystal Controlled Oscillator (XO) designed for applications requiring low jitter and a  $\pm 20$ ppm overall frequency tolerance. Operating at 3.3V supply voltage, the FPLD64TEG5 provides LVPECL Differential Outputs with a Enable/Disable function.

#### FEATURES

3.3V OPERATION

LOW JITTER <1pS RMS

OVERALL FREQUENCY TOLERANCE:  $\pm 20$ ppm

TEMPERATURE RANGE: -40 to 85°C

LVPECL DIFFERENTIAL OUTPUTS

ENABLE / DISABLE FUNCTION

SURFACE MOUNT PACKAGE

TAPE AND REEL PACKAGING

RoHS 5/6 COMPLIANT

#### ORDERING INFORMATION

FPLD64TEG5 - 155.52MHz

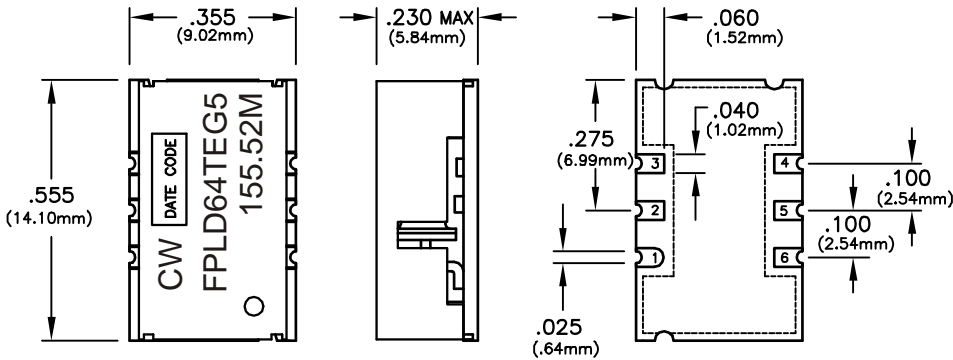
CLOCK  
SERIES

CENTER  
FREQUENCY

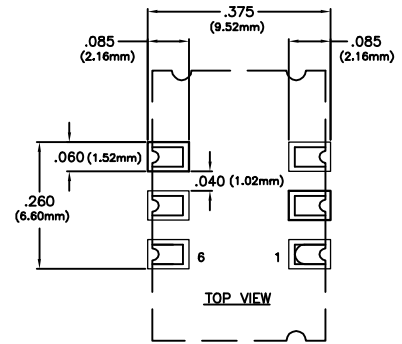
Specifications subject to change without notice.

# CRYSTAL CONTROLLED OSCILLATORS

## Package Outline



## Suggested Pad Layout



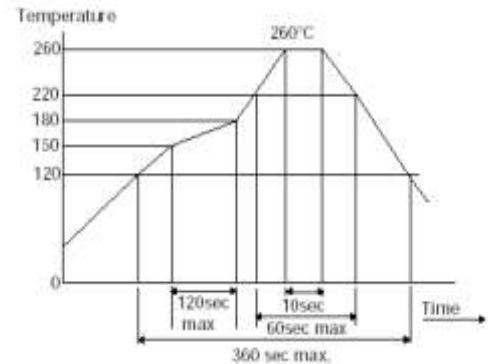
Dimensional Tolerance:  
±.005" (.127mm)

## Pin Connections

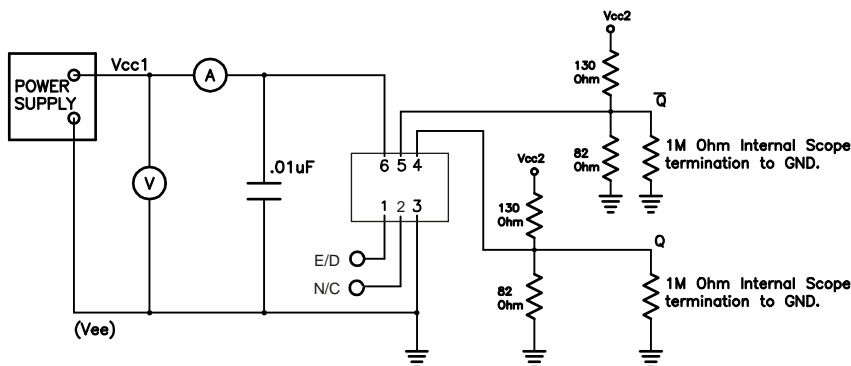
TABLE 7.0

Pin	Connection
1	Enable / Disable
2	N/C
3	Ground
4	Q Output
5	Q Output
6	Vcc

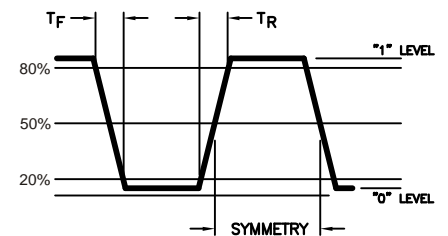
## Reflow Profile



## Test Circuit



## Output Waveform



Specifications subject to change without notice.