

DATA SHEET

BAV101~BAV103

HIGH VOLTAGE SURFACE MOUNT SWITCHING DIODES

VOLTAGE 120 to 250 Volts **POWER** 300 mWatts **MINI-MELF/LL-34** Unit : inch (mm)

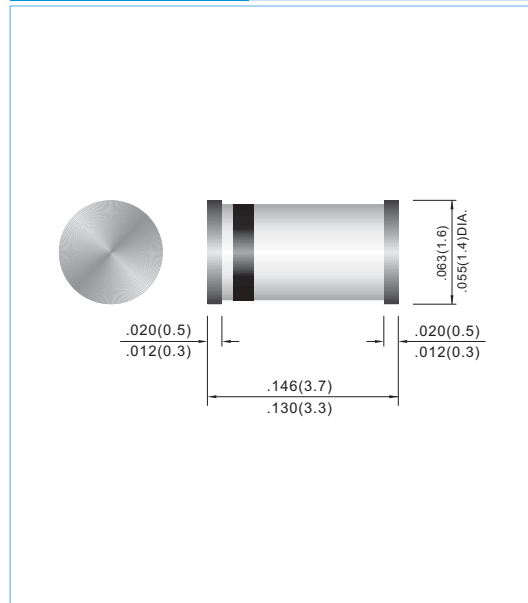
FEATURES

- Fast switching Speed.
- Surface Mount Package Ideally Suited For Automatic Insertion.
- Silicon Epitaxial Planar Construction.
- Both normal and Pb free product are available :
Normal : 80~95% Sn, 5~20% Pb
Pb free: 98.5% Sn above

MECHANICAL DATA

- Case: Mini Melf, Glass
- Terminals: Solderable per MIL-STD-202E, Method 208
- Polarity: Cathode Band
- Marking: Cathode Band Only
- Weight: 0.03 grams
- Packing information

T/R - 2.5K per 7" plastic Reel



MAXIMUM RATINGS AND ELECTRICAL CHARACTERISTICS (T_J=25°C unless otherwise noted)

PARAMETER	SYMBOL	BAV101	BAV102	BAV103	UNITS
Reverse Voltage	V _R	100	150	200	V
Peak Reverse Voltage	V _{RM}	120	200	250	V
Rectified Current (Average), Half Wave Rectification with Resistive Load and f >= 50 Hz	I _D		200		mA
Peak Forward Surge Current, t=1.0s	I _{FSM}		1.0		A
Power Dissipation Derate Above at 25°C	P _D		300		mW
Maximum Forward Voltage, I _F = 100mA	V _F		1.0		V
Maximum DC Reverse Current at Rated DC Blocking Voltage T _J = 25°C	I _R		0.1		uA
Typical Junction Capacitance (Note 1)	C _J		0.95		pF
Maximum Reverse Recovery (Note 2)	T _{RR}		75		ns
Maximum Thermal Resistance	R _{θJA}		350		°C / W
Operation Junction Storage Temperature Range	T _{STG}		-65 TO +175		°C

NOTE:

1. C_J at V_R=0, f=1MHZ
2. From I_F=10mA to I_R=-1mA, V_R=6Volts, R_L=100Ω

RATING AND CHARACTERISTIC CURVES

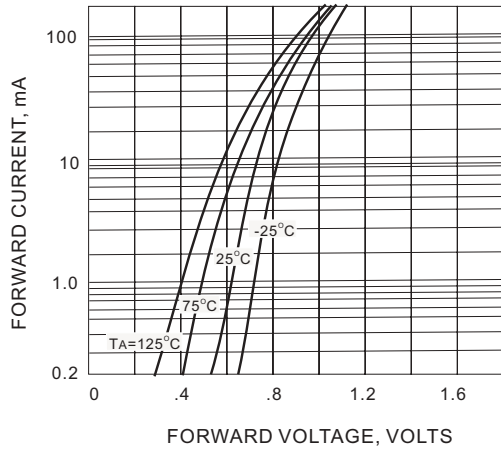


Fig.1 FORWARD CHARACTERISTICS

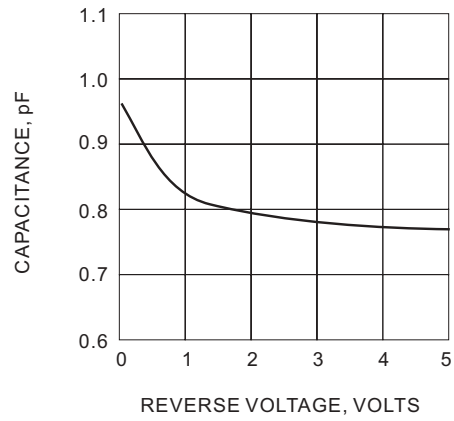


Fig.2 TYPICAL CAPACITANCE vs REVERSE VOLTAGE

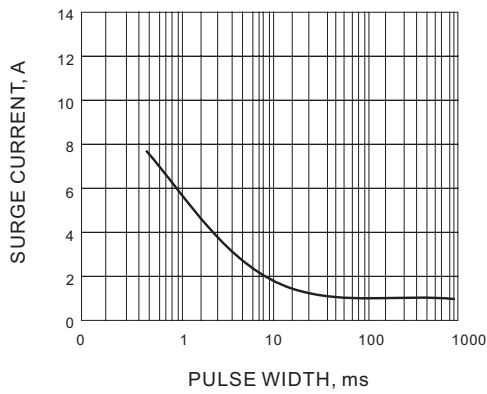


Fig.3 SURGE CURRENT CHARACTERISTIC