

# SMDQ-50

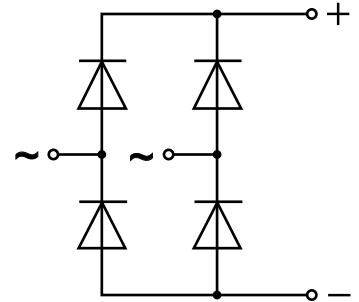
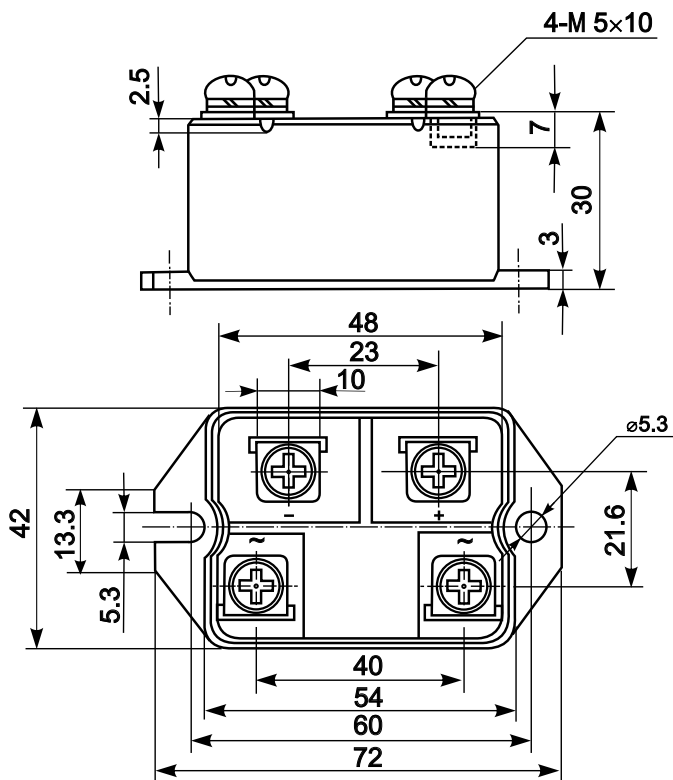


## Single Phase Bridge Rectifier Module



Type	$V_{RSM}$	$V_{RRM}$
SMDQ-50-08	900	800
SMDQ-50-10	1100	1000
SMDQ-50-12	1300	1200
SMDQ-50-14	1500	1400
SMDQ-50-16	1700	1600
SMDQ-50-18	1900	1800

Type	$I_{DAV}$	$T_C$	$I_{FSM}$	$i^2t$	$V_F$	$I_F$	$V_{TO}$	$r_T$	$T_{VJ}$	$V_{isol}$	$R_{thJC}$
	A	$^{\circ}C$	KA	KA <sup>2</sup> s	V	A	V	m $\Omega$	$^{\circ}C$	V	K/W
SMDQ-50	52	100	0.55	1.5	1.8	150	0.8	8	150	3000	0.24



### Features:

- Industrial standard package
- Heat transfer through aluminium nitride ceramic isolated metal baseplate
- Precise internal pressure contacts for high reliability
- 3000V RMS isolation voltage

### Typical Applications:

- DC power supply for instrument and equipment
- Power converters
- Electronic welders
- Lighting control