

**Features and Benefits**

Absolute 3D Position Sensor  
Simple & Robust Magnetic Design  
Triaxis™ Hall Technology  
Programmable Linear Transfer Characteristics (Alpha, Beta)  
Selectable Analog (Ratiometric), PWM, Serial Protocol  
12 bit Angular Resolution - 10 bit Angular Thermal Accuracy  
40 bit ID Number  
Single Die – SO8 Package RoHS Compliant  
Dual Die (Full Redundant) – TSSOP16 Package RoHS Compliant



**Applications**

3D Position Sensor  
4-Way Scroll Key  
Man Machine Interface Device  
Joystick  
Joypad

PRELIMINARY

**Ordering Information<sup>1</sup>**

Part No.	Temperature Suffix	Package Code	Option code
MLX90333	K (- 40°C to + 125°C)	DC [SOIC-8]	-
MLX90333	K (- 40°C to + 125°C)	GO [TSSOP-16]	-

<sup>1</sup> Example: MLX90333KDC

**1. Functional Diagram**

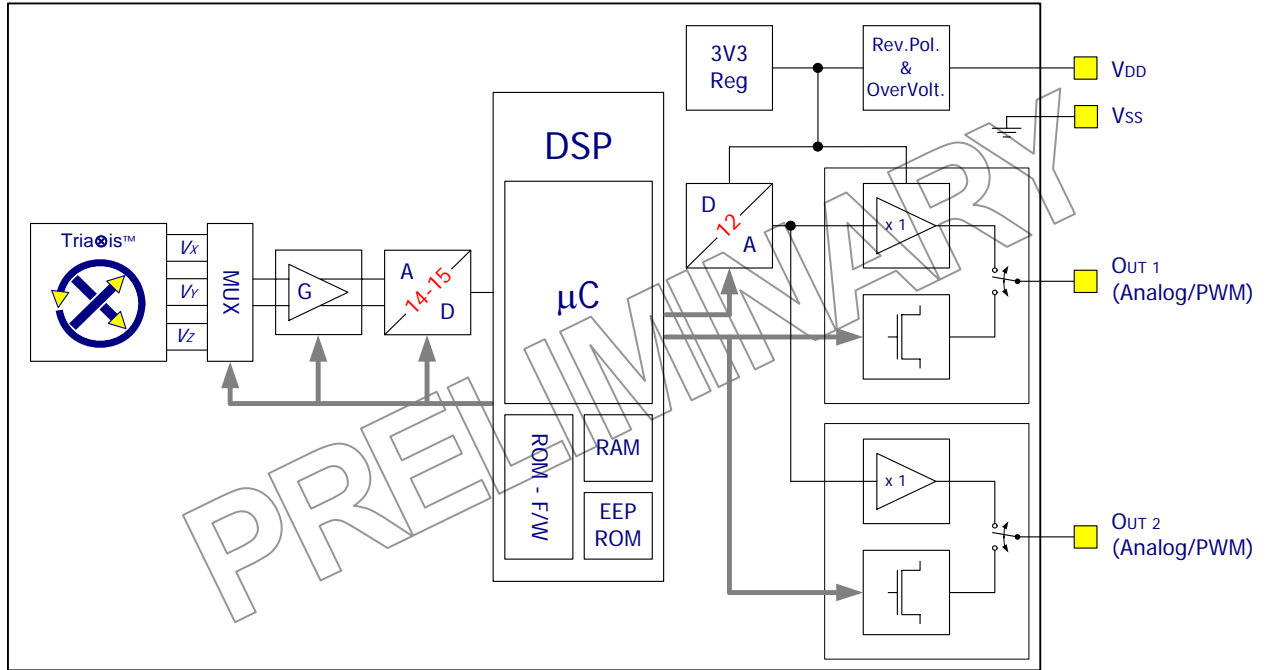


Figure 1 - Block Diagram (Analog & PWM)

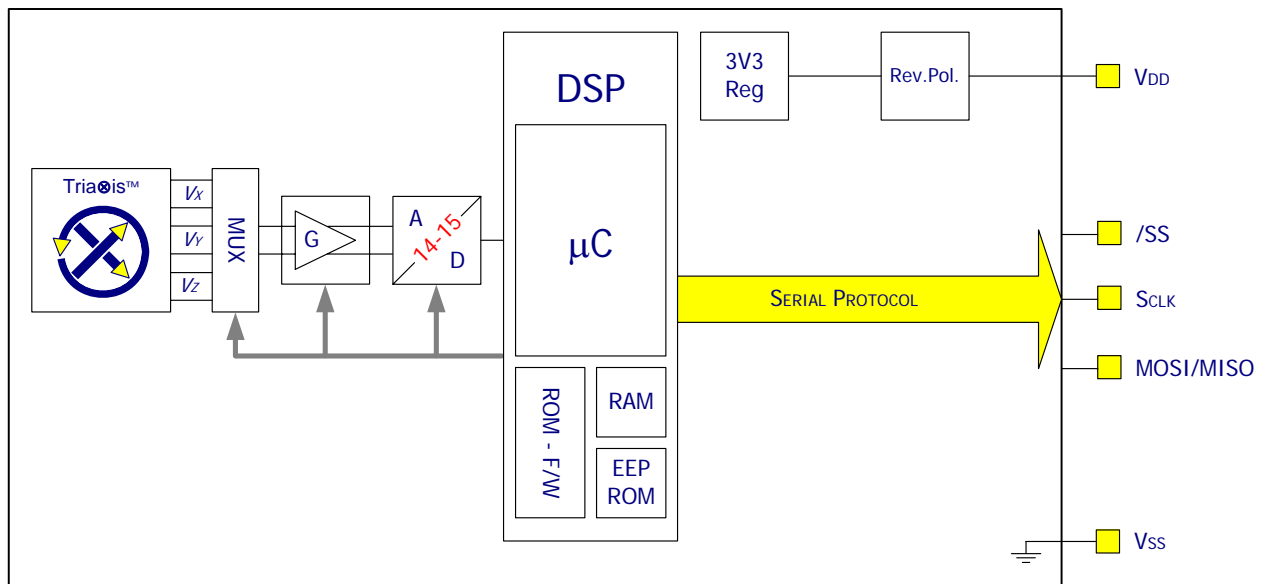


Figure 2 - Block Diagram (Serial Protocol)

## 2. Description

The MLX90333 is a monolithic sensor IC featuring the Tria $\otimes$ is™ Hall technology. Conventional planar Hall technology is only sensitive to the flux density applied orthogonally to the IC surface. The Tria $\otimes$ is™ Hall sensor is also sensitive to the flux density applied parallel to the IC surface. This is obtained through an Integrated Magneto-Concentrator (IMC®) which is deposited on the CMOS die (as an additional back-end step).

The MLX90333 is sensitive to the 3 components of the flux density applied to the IC ( $B_x$ ,  $B_y$  and  $B_z$ ). This allows the MLX90333 to sense any magnet moving in its surrounding and it enables the design of novel generation of non-contacting joystick position sensors which are often required for both automotive and industrial applications (e.g. man-machine interface).

Furthermore, the capability of measuring  $B_x$ ,  $B_y$  and  $B_z$  allows the MLX90333 to be considered as universal non-contacting position sensor i.e. not limited to joystick applications. For instance, a linear travel can be sensed with the MLX90333 once included in a specific magnetic design.

In combination with the appropriate signal processing, the magnetic flux density of a small magnet (axial magnetization) moving above the IC can be measured in a non-contacting way (Figure 3). The two (2) angular information are computed from the three (3) vector components of the flux density (i.e.  $B_x$ ,  $B_y$  and  $B_z$ ). MLX90333 reports two (2) linear output signals. The output formats are selectable between Analog, PWM and Serial Protocol.

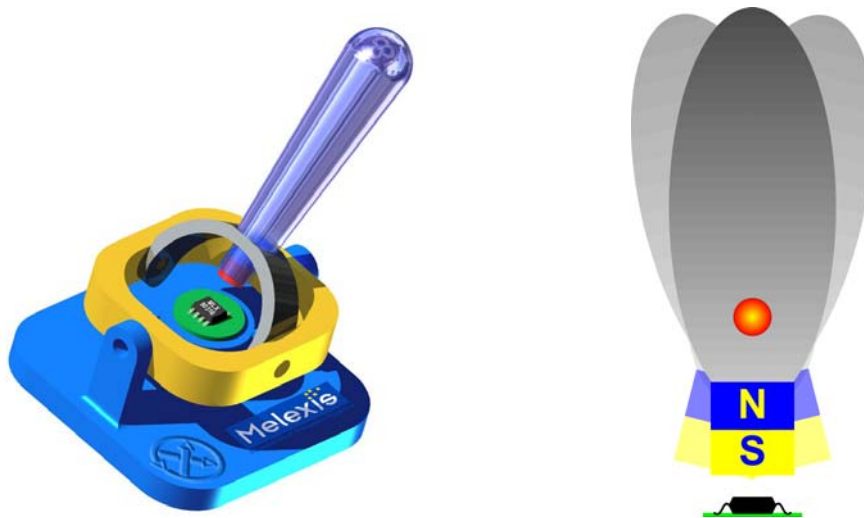


Figure 3 - Typical application of MLX90333

**TABLE of CONTENTS**

<b>FEATURES AND BENEFITS .....</b>	<b>1</b>
<b>APPLICATIONS.....</b>	<b>1</b>
<b>ORDERING INFORMATION.....</b>	<b>1</b>
<b>1. FUNCTIONAL DIAGRAM.....</b>	<b>2</b>
<b>2. DESCRIPTION.....</b>	<b>3</b>
<b>3. GLOSSARY OF TERMS – ABBREVIATIONS – ACRONYMS.....</b>	<b>6</b>
<b>4. PINOUT.....</b>	<b>6</b>
<b>5. ABSOLUTE MAXIMUM RATINGS.....</b>	<b>7</b>
<b>6. DETAILED DESCRIPTION.....</b>	<b>7</b>
<b>7. MLX90333 ELECTRICAL SPECIFICATION.....</b>	<b>13</b>
<b>8. MLX90333 ISOLATION SPECIFICATION.....</b>	<b>15</b>
<b>9. MLX90333 TIMING SPECIFICATION.....</b>	<b>15</b>
<b>10. MLX90333 ACCURACY SPECIFICATION.....</b>	<b>16</b>
<b>11. MLX90333 MAGNETIC SPECIFICATION.....</b>	<b>17</b>
<b>12. MLX90333 CPU &amp; MEMORY SPECIFICATION.....</b>	<b>17</b>
<b>13. MLX90333 END-USER PROGRAMMABLE ITEMS.....</b>	<b>18</b>
<b>14. DESCRIPTION OF END-USER PROGRAMMABLE ITEMS.....</b>	<b>19</b>
14.1. OUTPUT CONFIGURATION .....	19
14.2. OUTPUT MODE.....	19
14.2.1. <i>Analog Output Mode</i> .....	19
14.2.2. <i>PWM Output Mode</i> .....	19
14.2.3. <i>Serial Protocol Output Mode</i> .....	20
14.3. OUTPUT TRANSFER CHARACTERISTIC.....	20
14.3.1. <i>The Polarity and Modulo Parameters</i> .....	20
14.3.2. <i>Alpha/Beta Discontinuity Point (or Zero Degree Point)</i> .....	21
14.3.3. <i>LNR Parameters</i> .....	21
14.3.4. <i>CLAMPING Parameters</i> .....	22
14.3.5. <i>DEADZONE Parameter</i> .....	22
14.4. IDENTIFICATION.....	22
14.5. SENSOR FRONT-END.....	23
14.5.1. <i>HIGHSPEED Parameter</i> .....	23
14.5.2. <i>GAINMIN and GAINMAX Parameters</i> .....	23
14.5.3. <i>FIELDTHRES_MIN and FIELDTHRES_MAX Parameters</i> .....	23
14.6. FILTER.....	24
14.6.1. <i>Hysteresis Filter</i> .....	24
14.6.2. <i>FIR Filters</i> .....	24
14.6.3. <i>IIR Filters</i> .....	25
14.7. PROGRAMMABLE DIAGNOSTIC SETTINGS .....	27

14.7.1.	RESONFAULT Parameter .....	27
14.7.2.	EEHAMHOLE Parameter .....	27
14.8.	LOCK .....	27
14.8.1.	MLXLOCK Parameter .....	27
14.8.2.	LOCK Parameter .....	27
<b>15.</b>	<b>MLX90333 SELF DIAGNOSTIC .....</b>	<b>28</b>
<b>16.</b>	<b>RECOMMENDED APPLICATION DIAGRAMS .....</b>	<b>30</b>
16.1.	ANALOG OUTPUT WIRING WITH THE MLX90333 IN SOIC PACKAGE .....	30
16.2.	PWM LOW SIDE OUTPUT WIRING .....	30
16.3.	ANALOG OUTPUT WIRING WITH THE MLX90333 IN TSSOP PACKAGE .....	31
16.4.	SERIAL PROTOCOL .....	31
<b>17.</b>	<b>STANDARD INFORMATION REGARDING MANUFACTURABILITY OF MELEXIS PRODUCTS WITH DIFFERENT SOLDERING PROCESSES .....</b>	<b>33</b>
<b>18.</b>	<b>ESD PRECAUTIONS .....</b>	<b>33</b>
<b>19.</b>	<b>PACKAGE INFORMATION .....</b>	<b>34</b>
19.1.	SOIC8 - PACKAGE DIMENSIONS .....	34
19.2.	SOIC8 - PINOUT AND MARKING .....	34
19.3.	SOIC8 - IMC POSITIONNING .....	35
19.4.	TSSOP16 - PACKAGE DIMENSIONS .....	36
19.5.	TSSOP16 - PINOUT AND MARKING .....	37
19.6.	TSSOP16 - IMC POSITIONNING .....	37
<b>20.</b>	<b>DISCLAIMER .....</b>	<b>38</b>

### 3. Glossary of Terms – Abbreviations – Acronyms

- Gauss (G), Tesla (T): Units for the magnetic flux density – 1 mT = 10 G
- TC: **Temperature Coefficient** (in ppm/Deg.C.)
- NC: **Not Connected**
- PWM: **Pulse Width Modulation**
- %DC: **Duty Cycle** of the output signal i.e.  $T_{ON} / (T_{ON} + T_{OFF})$
- ADC: **Analog-to-Digital Converter**
- DAC: **Digital-to-Analog Converter**
- LSB: **Least Significant Bit**
- MSB: **Most Significant Bit**
- DNL: **Differential Non-Linearity**
- INL: **Integral Non-Linearity**
- RISC: **Reduced Instruction Set Computer**
- ASP: **Analog Signal Processing**
- DSP: **Digital Signal Processing**
- ATAN: trigonometric function: arctangent (or inverse tangent)
- IMC: **Integrated Magneto-Concentrator (IMC®)**
- CoRDIC: **Coordinate Rotation Digital Computer** (i.e. iterative rectangular-to-polar transform)
- EMC: **Electro-Magnetic Compatibility**

### 4. Pinout<sup>2</sup>

Pin #	SOIC-8		TSSOP-16	
	Analog / PWM	Serial Protocol	Analog / PWM	Serial Protocol
1	VDD	VDD	VDIG <sub>1</sub>	VDIG <sub>1</sub>
2	Test 0	Test 0	VSS <sub>1</sub> (Ground <sub>1</sub> )	VSS <sub>1</sub> (Ground <sub>1</sub> )
3	Not Used	/SS	VDD <sub>1</sub>	VDD <sub>1</sub>
4	Out 2	SCLK	Test 0 <sub>1</sub>	Test 0 <sub>1</sub>
5	Out 1	MOSI / MISO	Not Used	/SS <sub>2</sub>
6	Test 1	Test 1	Out 2 <sub>2</sub>	SCLK <sub>2</sub>
7	VDIG	VDIG	Out 1 <sub>2</sub>	MOSI <sub>2</sub> / MISO <sub>2</sub>
8	Vss (Ground)	Vss (Ground)	Test 1 <sub>2</sub>	Test 1 <sub>2</sub>
9			VDIG <sub>2</sub>	VDIG <sub>2</sub>
10			VSS <sub>2</sub> (Ground <sub>2</sub> )	VSS <sub>2</sub> (Ground <sub>2</sub> )
11			VDD <sub>2</sub>	VDD <sub>2</sub>
12			Test 0 <sub>2</sub>	Test 0 <sub>2</sub>
13			Not Used	/SS <sub>1</sub>
14			Out 2 <sub>1</sub>	SCLK <sub>1</sub>
15			Out 1 <sub>1</sub>	MOSI <sub>1</sub> / MISO <sub>1</sub>
16			Test 1 <sub>1</sub>	Test 1 <sub>1</sub>

For optimal EMC behavior, it is recommended to connect the unused pins (Not Used and Test) to the Ground (see section 16).

<sup>2</sup> See Section 14.1 for the Out 1 and Out 2 configuration

## 5. Absolute Maximum Ratings

Parameter	Value
Supply Voltage, VDD (overvoltage)	+ 20 V
Reverse Voltage Protection	- 10 V
Positive Output Voltage (Analog or PWM) Both outputs OUT 1 & OUT 2	+ 10 V + 14 V (200 s max - $T_A = +25^\circ\text{C}$ )
Output Current ( $I_{OUT}$ )	$\pm 30$ mA
Reverse Output Voltage Both outputs OUT 1 & OUT 2	- 0.3 V
Reverse Output Current Both outputs OUT 1 & OUT 2	- 50 mA
Operating Ambient Temperature Range, $T_A$	- 40°C ... + 150°C
Storage Temperature Range, $T_S$	- 40°C ... + 150°C
Magnetic Flux Density	$\pm 700$ mT

Exceeding the absolute maximum ratings may cause permanent damage. Exposure to absolute-maximum-rated conditions for extended periods may affect device reliability.

## 6. Detailed Description

As described on the block diagram (Figure 1 and Figure 2), the magnetic flux density applied to the IC is sensed through the Tria $\otimes$ is™ sensor front-end. This front-end consists into two orthogonal pairs (for each of the two directions parallel with the IC surface i.e. X and Y) of conventional planar Hall plates (sensitive element – blue area on Figure 4) and an Integrated Magneto-Concentrator (IMC® yellow disk on Figure 4).

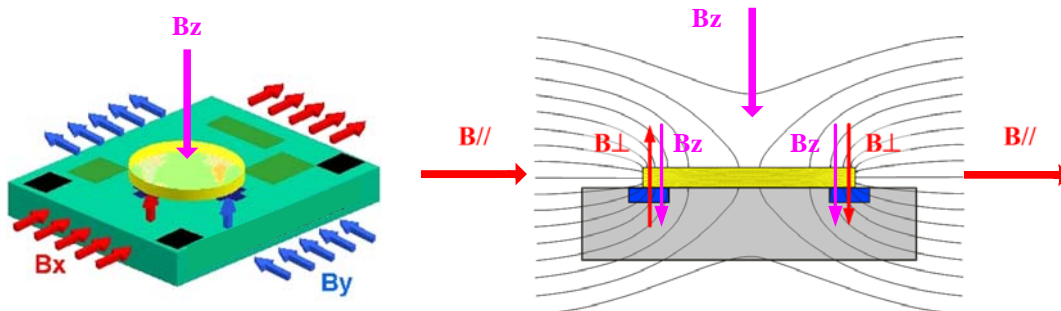


Figure 4 - Tria $\otimes$ is™ sensor front-end (4 Hall plates + IMC® disk)

Two orthogonal components (respectively  $B_{X\perp}$  and  $B_{Y\perp}$ ) proportional to the parallel components (respectively  $B_{X//}$  and  $B_{Y//}$ ) are induced through the IMC and can be measured by both respective pairs of conventional planar Hall plates as those are sensitive to the flux density applied orthogonally to them and the IC surface. The third component  $B_Z$  is also sensed by those four (4) conventional Hall plates as shown above.

In summary, along X-axis, the left Hall plate measures “ $B_{X\perp} - B_Z$ ” while the right Hall plate measures “ $-B_{X\perp} - B_Z$ ”. Similarly, along the Y-axis, the left Hall plate measures “ $B_{Y\perp} - B_Z$ ” while the right Hall plate measures “ $-B_{Y\perp} - B_Z$ ”.

Through an appropriate signal processing, the Tria $\otimes$ is™ sensor front-end reports the three (3) components of the applied magnetic flux density B i.e.  $B_x$ ,  $B_y$  and  $B_z$ .

Indeed, by subtracting the signals from the two (2) Hall plates in each pair, the components  $B_{X\perp}$  and  $B_{Y\perp}$  are measured while  $B_Z$  is cancelled. To the contrary, by adding the signals from the two (2) Hall plates in each pair, the component  $B_Z$  is measured while  $B_{X\perp}$  and  $B_{Y\perp}$  are cancelled

In a joystick based on a “gimbal” mechanism as shown on Figure 3 (left), the magnet (axial magnetization) moves on a hemisphere centered at the IC. The flux density is described through the following relationships:

$$B_x = \sin(\alpha) \cdot \cos(\beta)$$

$$B_y = \cos(\alpha) \cdot \sin(\beta)$$

$$B_z = \cos(\alpha) \cdot \cos(\beta)$$

Those components are plotted on the Figure 5, Figure 6 and Figure 7.

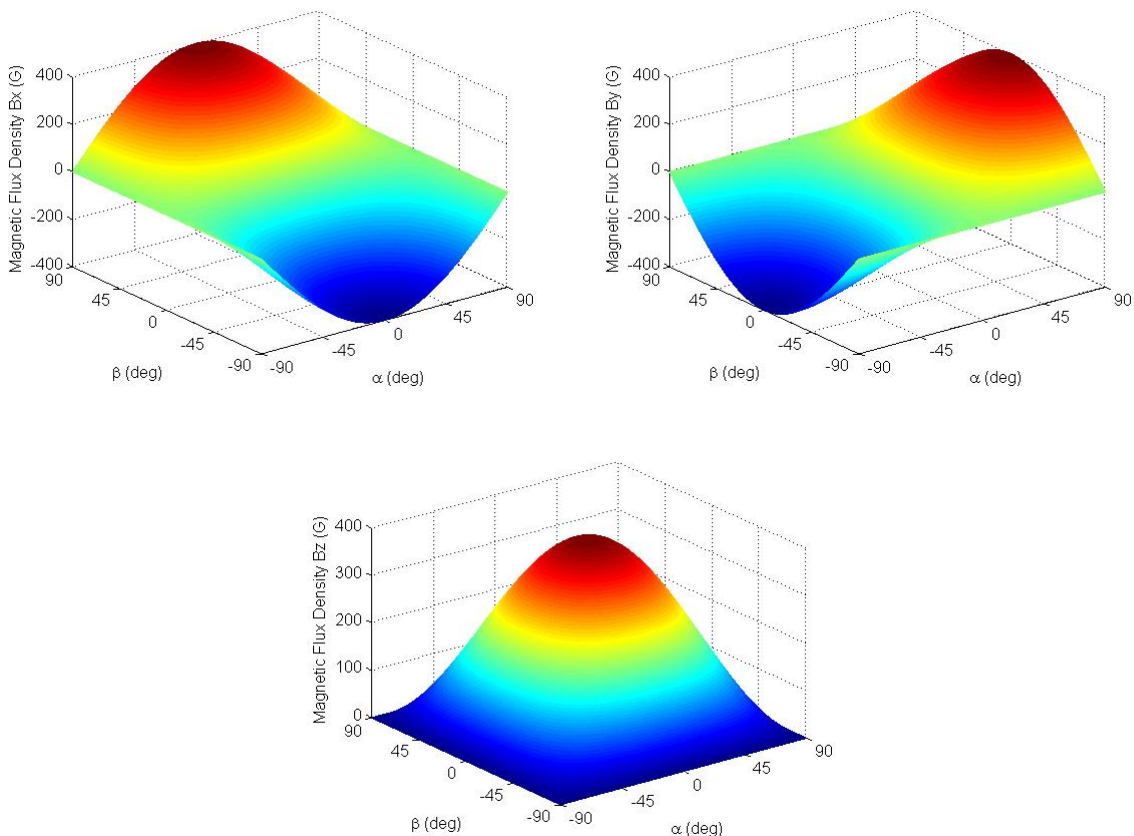


Figure 5 – Magnetic Flux Density –  $B_x$ ,  $B_y$ ,  $B_z$



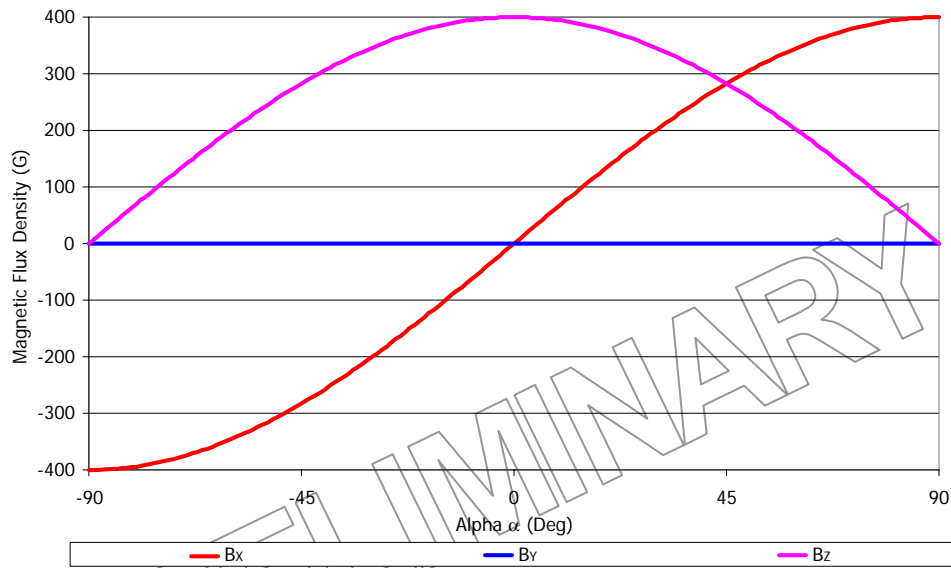


Figure 6 – Magnetic Flux Density –  $\beta = 0$  Deg –  $B_x \propto \sin(\alpha)$ ,  $B_y = 0$  &  $B_z \propto \cos(\alpha)$

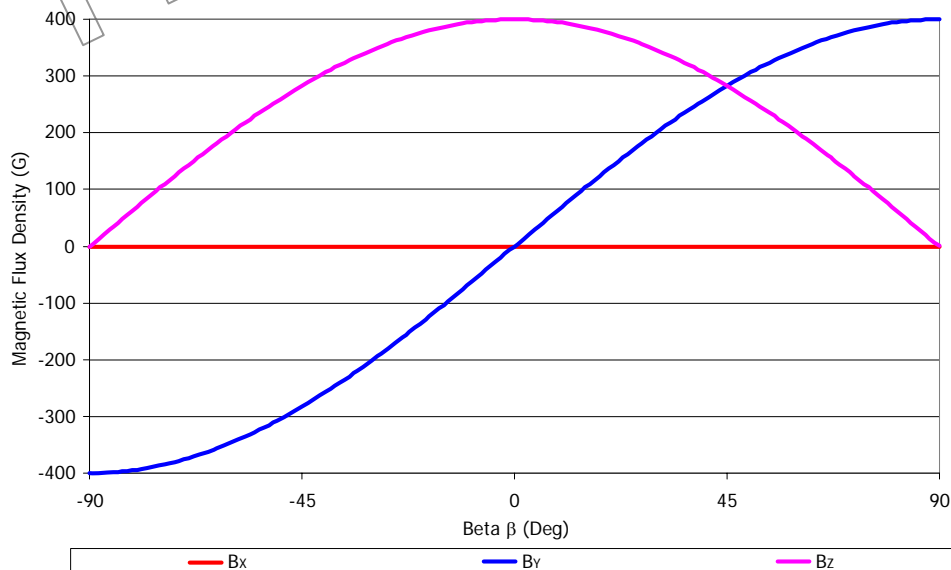


Figure 7 – Magnetic Flux Density –  $\alpha = 0$  Deg –  $B_x = 0$ ,  $B_y \propto \sin(\beta)$  &  $B_z \propto \cos(\beta)$

Three (3) differential voltages corresponding to the three (3) components of the applied flux density are provided to the ADC (Analog-to-Digital Converter – Figure 8 and Figure 9). The Hall signals are processed through a fully differential analog chain featuring the classic offset cancellation technique (Hall plate quadrature spinning and chopper-stabilized amplifier).

The amplitude of  $V_z$  is smaller than the other two (2) components  $V_x$  and  $V_y$  due to fact that the magnetic gain of the IMC only affects the components parallel to the IC surface.

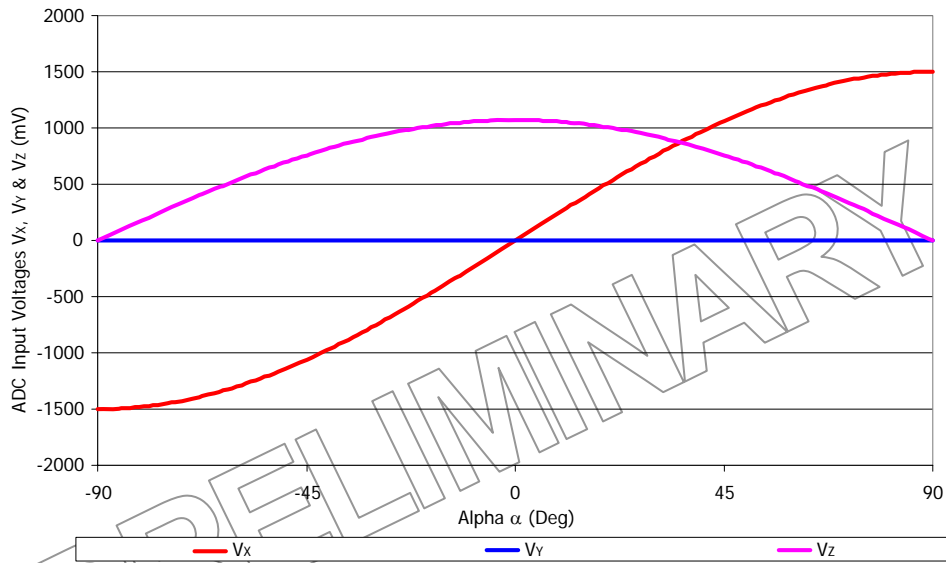


Figure 8 – ADC Input Signals –  $\beta = 0$  Deg –  $V_x \propto B_x \propto \sin(\alpha)$ ,  $V_y = B_y = 0$  &  $V_z \propto B_z \propto \cos(\alpha)$

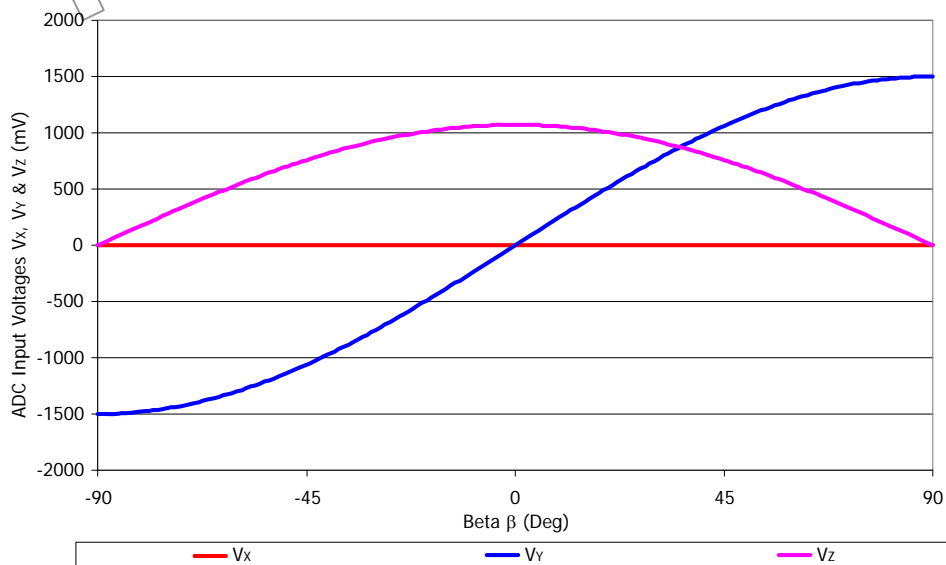


Figure 9 – ADC Input Signals –  $\alpha = 0$  Deg –  $V_x = B_x = 0$ ,  $V_y \propto B_y \propto \sin(\beta)$  &  $V_z \propto B_z \propto \cos(\beta)$

The conditioned analog signals are converted through an ADC (configurable – 14 or 15 bits) and provided to a DSP block for further processing. The DSP stage is based on a 16 bit RISC micro-controller whose primary function is the extraction of the two (2) angular information from the three (3) raw signals (after so-called front-end compensation steps) through the following operations:

$$\alpha = ATAN\left(\frac{V_x}{k_z V_z}\right)$$

$$\beta = ATAN\left(\frac{V_y}{k_z V_z}\right)$$

where  $k_z$  is a programmable parameter.

In a joystick based on a “ball & socket” joint as shown on Figure 3 (right), the magnet (axial magnetization) moves on a hemisphere centered at the pivot point. The flux density is described through slightly more complex equations but the MLX90333 offers an alternate algorithm to extract both angular informations:

$$\alpha = ATAN\left(\frac{V_x}{\sqrt{(k_z V_z)^2 + (k_t V_y)^2}}\right)$$

$$\beta = ATAN\left(\frac{V_y}{\sqrt{(k_z V_z)^2 + (k_t V_x)^2}}\right)$$

where  $k_z$  and  $k_t$  are programmable parameters.

The DSP functionality is governed by the micro-code (firmware – F/W) of the micro-controller which is stored into the ROM (mask programmable). In addition to the “ATAN” function, the F/W controls the whole analog chain, the output transfer characteristic, the output protocol, the programming/calibration and also the self-diagnostic modes.

In the MLX90333, the “ATAN” function is computed via a look-up table (i.e. it is not obtained through a CoRDIC algorithm).

Due to the fact that the “ATAN” operation is performed on the ratios “ $V_x/V_z$ ” and “ $V_y/V_z$ ”, the angular information are intrinsically self-compensated vs. flux density variations (due to airgap change, thermal or ageing effects) affecting the magnetic signal. This feature allows therefore an improved thermal accuracy vs. joystick based on conventional linear Hall sensors.

Once the angular information is computed (over 360 degrees), it is further conditioned (mapped) vs. the target transfer characteristic and it is provided at the output(s) as:

- an analog output level through a 12 bit DAC followed by a buffer
- a digital PWM signal with 12 bit depth (programmable frequency 100 Hz ... 1 kHz)
- a digital Serial Protocol (SP – 14 bits computed angular information available)

For instance, the analog output can be programmed for offset, gain and clamping to meet any rotary position sensor output transfer characteristic:

$$\begin{aligned} V_{out}(\alpha) &= \text{ClampLo} && \text{for } \alpha \leq \alpha_{min} \\ V_{out}(\alpha) &= \text{Voffset} + \text{Gain} \times \alpha && \text{for } \alpha_{min} \leq \alpha \leq \alpha_{max} \\ V_{out}(\alpha) &= \text{ClampHi} && \text{for } \alpha \geq \alpha_{max} \end{aligned}$$
  
$$\begin{aligned} V_{out}(\beta) &= \text{ClampLo} && \text{for } \beta \leq \beta_{min} \\ V_{out}(\beta) &= \text{Voffset} + \text{Gain} \times \beta && \text{for } \beta_{min} \leq \beta \leq \beta_{max} \\ V_{out}(\beta) &= \text{ClampHi} && \text{for } \beta \geq \beta_{max} \end{aligned}$$

where Voffset, Gain, ClampLo and ClampHi are the main adjustable parameters for the end-user.

The linear part of the transfer curve can be adjusted through a 3 point calibration. Once only one output is used, a 5 point calibration is also available for further improvement of the linearity.

The calibration parameters are stored in EEPROM featuring a Hamming Error Correction Coding (ECC).

The programming steps do not require any dedicated pins. The operation is done using the supply and output nodes of the IC. The programming of the MLX90333 is handled at both engineering lab and production line levels by the Melexis Programming Unit PTC-04 with the MLX90316 daughterboard and dedicated software tools (DLL – User Interface).

### 7. MLX90333 Electrical Specification

DC Operating Parameters at VDD = 5V (unless otherwise specified) and for T<sub>A</sub> as specified by the Temperature suffix (K).

Parameter	Symbol	Test Conditions	Min	Typ	Max	Units
Nominal Supply Voltage	VDD		4.5	5	5.5	V
Supply Current <sup>(3)</sup>	I <sub>dd</sub>	Slow mode <sup>(4)</sup>		8.5	11	mA
		Fast mode <sup>(4)</sup>		13.5	16	mA
POR Level	VDD POR	Supply Under Voltage	2	2.7	3	V
Output Current Both outputs OUT 1 & OUT 2	I <sub>out</sub>	Analog Output mode	-8		8	mA
		PWM Output mode	-20		20	mA
Output Short Circuit Current Both outputs OUT 1 & OUT 2	I <sub>short</sub>	V <sub>out</sub> = 0 V		12	15	mA
		V <sub>out</sub> = 5 V		12	15	mA
		V <sub>out</sub> = 14 V (T <sub>A</sub> = 25°C)		24	45	mA
Output Load Both outputs OUT 1 & OUT 2	R <sub>L</sub>	Pull-down to Ground	1	10	∞ <sup>(6)</sup>	kΩ
		Pull-up to 5V <sup>(5)</sup>	1	10	∞ <sup>(6)</sup>	kΩ
Analog Saturation Output Level Both outputs OUT 1 & OUT 2	V <sub>sat_lo</sub>	Pull-up load R <sub>L</sub> ≥ 10 kΩ			3	%VDD
	V <sub>sat_hi</sub>	Pull-down load R <sub>L</sub> ≥ 10 kΩ	96			%VDD
Digital Saturation Output Level Both outputs OUT 1 & OUT 2	V <sub>satD_lo</sub>	Pull-up Low Side R <sub>L</sub> ≥ 10 kΩ Push-Pull (I <sub>OUT</sub> = -20mV)			1.5	%VDD
	V <sub>satD_hi</sub>	Push-Pull (I <sub>OUT</sub> = 20mV)	97			%VDD
Active Diagnostic Output Level Both outputs OUT 1 & OUT 2	Diag_lo	Pull-down load R <sub>L</sub> ≥ 10 kΩ Pull-up load R <sub>L</sub> ≥ 10 kΩ			1 1.5	%VDD
	Diag_hi	Pull-down load R <sub>L</sub> ≥ 10 kΩ Pull-up load R <sub>L</sub> ≥ 10 kΩ	97 98			%VDD
Passive Diagnostic Output Level Both outputs OUT 1 & OUT 2 (Broken Track Diagnostic) <sup>(7)</sup>	BV <sub>ssPD</sub>	Broken V <sub>ss</sub> & Pull-down load R <sub>L</sub> ≤ 10 kΩ			4 <sup>(7)</sup>	%VDD
	BV <sub>ssPU</sub>	Broken V <sub>ss</sub> <sup>(8)</sup> & Pull-up load R <sub>L</sub> ≥ 1kΩ	99	100		%VDD
	BV <sub>DDPD</sub>	Broken V <sub>DD</sub> <sup>(8)</sup> & Pull-down load R <sub>L</sub> ≥ 1kΩ		0	1	%VDD
	BV <sub>DDPU</sub>	Broken V <sub>DD</sub> & Pull-up load to 5V	No Broken Track diagnostic			%VDD
Clamped Output Level Both outputs OUT 1 & OUT 2	Clamp_lo	Programmable	0		100	%VDD <sup>(9)</sup>
	Clamp_hi	Programmable	0		100	%VDD <sup>(9)</sup>

<sup>3</sup> For the dual version, the supply current is multiplied by 2

<sup>4</sup> See section 14.5.1 for details concerning Slow and Fast mode

<sup>5</sup> Applicable for output in Analog and PWM (Open-Drain) modes

<sup>6</sup> R<sub>L</sub> < ∞ for output in PWM mode

<sup>7</sup> For detailed information, see also section 15

<sup>9</sup> Clamping levels need to be considered vs the saturation of the output stage (see V<sub>sat\_lo</sub> and V<sub>sat\_hi</sub>)

As an illustration of the previous table, the MLX90333 fits the typical classification of the output span described on the Figure 10.

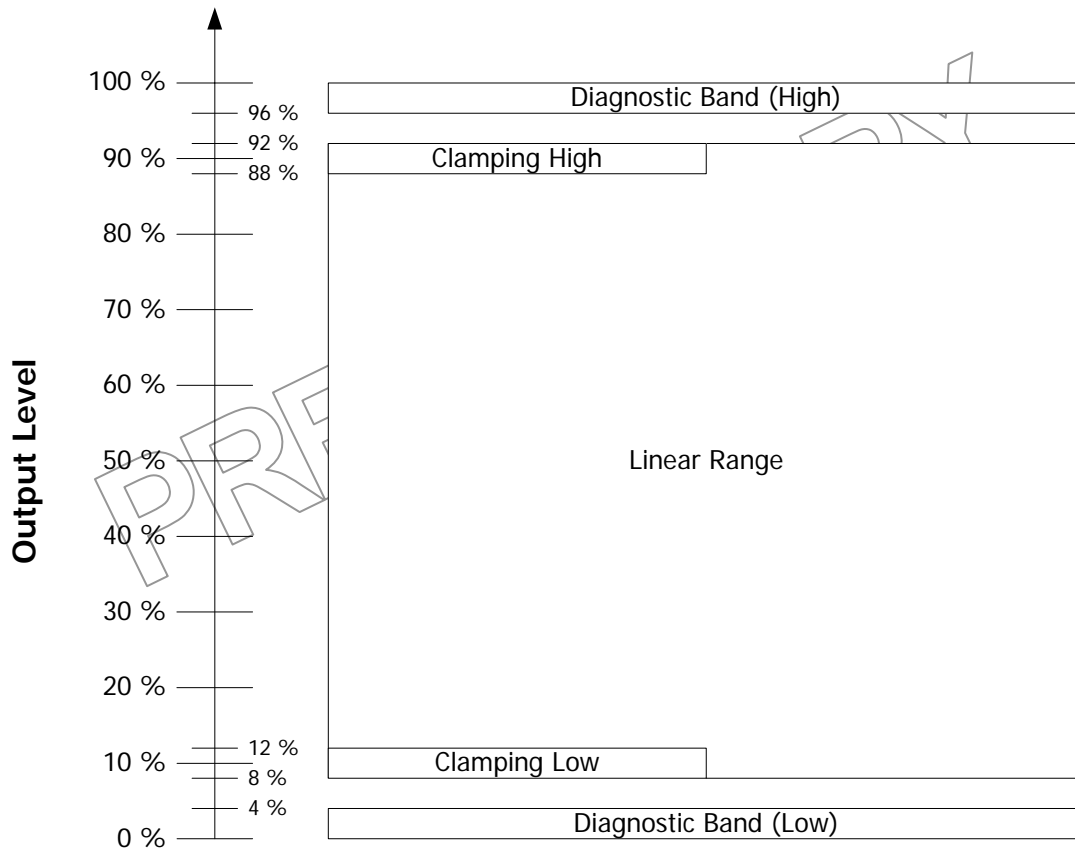


Figure 10 - Output Span Classification

### 8. MLX90333 Isolation Specification

DC Operating Parameters at  $V_{DD} = 5V$  (unless otherwise specified) and for  $T_A$  as specified by the Temperature suffix (K). Only valid for the package code GO i.e. dual die version.

Parameter	Symbol	Test Conditions	Min	Typ	Max	Units
Isolation Resistance		Between 2 dies	4			MΩ

### 9. MLX90333 Timing Specification

DC Operating Parameters at  $V_{DD} = 5V$  (unless otherwise specified) and for  $T_A$  as specified by the Temperature suffix (K).

Parameter	Symbol	Test Conditions	Min	Typ	Max	Units
Main Clock Frequency	Ck	Slow mode <sup>(10)</sup>		7		MHz
		Fast mode <sup>(10)</sup>		20		MHz
Sampling Rate		Slow mode <sup>(11)</sup>		600		μs
		Fast mode <sup>(11)</sup>		200		μs
Step Response Time	Ts	Slow mode <sup>(10)</sup> , Filter=5 <sup>(11)</sup>			4	ms
		Fast mode <sup>(10)</sup> , Filter=0 <sup>(11)</sup>		400	600	μs
Watchdog	Wd	See Section 15			5	ms
Start-up Cycle	Tsu	Slow and Fast mode <sup>(10)</sup>			15	ms
Analog Output Slew Rate		$C_{OUT} = 42 \text{ nF}$		200		V/ms
		$C_{OUT} = 100 \text{ nF}$		100		
PWM Frequency	F <sub>PWM</sub>	PWM Output Enabled	100		1000	Hz
Digital Output Rise Time		Mode 5 – 10nF, R <sub>L</sub> = 10 kΩ		120		μs
		Mode 7 – 10nF, R <sub>L</sub> = 10 kΩ		2.2		μs
Digital Output Fall Time		Mode 5 – 10nF, R <sub>L</sub> = 10 kΩ		1.8		μs
		Mode 7 – 10nF, R <sub>L</sub> = 10 kΩ		1.9		μs

<sup>10</sup> See section 14.5.1 for details concerning Slow and Fast mode

<sup>11</sup> See section 14.6 for details concerning Filter parameter

### 10. MLX90333 Accuracy Specification

DC Operating Parameters at  $V_{DD} = 5V$  (unless otherwise specified) and for  $T_A$  as specified by the Temperature suffix (K).

Parameter	Symbol	Test Conditions	Min	Typ	Max	Units
ADC Resolution on the raw signals X, Y and Z	$R_{ADC}$	Slow Mode <sup>(12)</sup>		15		bits
		Fast Mode <sup>(12)</sup>		14		bits
Offset on the Raw Signals X, Y and Z	$X_0, Y_0, Z_0$	$T_A = 25^\circ C$	-60		60	LSB <sub>15</sub>
Mismatch on the Raw Signals X, Y and Z	$SMISM_{XY}$ $SMISM_{XZ}$ $SMISM_{YZ}$	$T_A = 25^\circ C$ Between X and Y	-1		1	%
		Between X and Z	End-User programmable <sup>(13)</sup> (KT parameter)			
		Between Y and Z				
Thermal Offset Drift #1 on the raw signals X, Y and Z		Thermal Offset Drift at the DSP input (excl. DAC and output stage)	-60		+60	LSB <sub>15</sub>
Thermal Offset Drift #2 (to be considered only for the analog output mode)		Thermal Offset Drift of the DAC and Output Stage	-0.3		+0.3	%V <sub>DD</sub>
Thermal Drift of Sensitivity Mismatch			-0.3		+0.3	%
Analog Output Resolution	$R_{DAC}$	12 bits DAC (Theoretical – Noise free)		0.025		%V <sub>DD</sub> /LSB
		INL	-4		+4	LSB
		DNL	0.05	1	2	LSB
Output stage Noise		Clamped Output		0.05		%V <sub>DD</sub>
Noise pk-pk <sup>(17)</sup>		Gain = 14, Slow mode, Filter=5		5	10	LSB <sub>15</sub>
		Gain = 14, Fast mode, Filter=0		10	20	LSB <sub>15</sub>
Ratiometry Error			-0.1	0	0.1	%V <sub>DD</sub>
PWM Output Resolution	$R_{PWM}$	12 bits (Theoretical – Jitter free)		0.025		%DC/LSB
PWM Jitter	$J_{PWM}$	Gain = 11, $F_{PWM} = 250 \text{ Hz} - 800\text{Hz}$			5	LSB <sub>12</sub>
Serial Protocol Output	$R_{SPI}$	Theoretical – Jitter free		14		bits

<sup>12</sup> 15 bits corresponds to 14 bits + sign and 14 bits corresponds to 13 bits + sign. After angular calculation, this corresponds to 0.005Deg/LSB<sub>15</sub> in Low Speed Mode and 0.01Deg/LSB<sub>14</sub> in High Speed.

<sup>13</sup> The mismatch between X and Z (Y and Z) is end-user programmable through the 2 parameters KZ and KT as described in the formulas page 11 in order to take into account the IC mismatch and system tolerances (magnetic and mechanical).

<sup>17</sup> The application diagram used is described in the recommended wiring. For detailed information, refer to section Filter in application mode (Section 14.6).

<sup>19</sup> Above 70 mT, the IMC starts saturating yielding to an increase of the linearity error.



Resolution						
------------	--	--	--	--	--	--

### 11. MLX90333 Magnetic Specification

DC Operating Parameters at  $V_{DD} = 5V$  (unless otherwise specified) and for  $T_A$  as specified by the Temperature suffix (K).

Parameter	Symbol	Test Conditions	Min	Typ	Max	Units
Magnetic Flux Density	B		20	50	70 <sup>(19)</sup>	mT
Magnet Temperature Coefficient	TCm		-2400		0	ppm/°C

### 12. MLX90333 CPU & Memory Specification

The DSP is based on a 16-bit RISC  $\mu$ Controller. This CPU provides 5 Mips while running at 20 MHz.

Parameter	Symbol	Test Conditions	Min	Typ	Max	Units
ROM				10		kB
RAM				256		B
EEPROM				128		B

### 13. MLX90333 End-User Programmable Items

Parameter	Comments	Default Values	
		-	# bit
MAINMODE	Select Outputs Configuration	0	2
Outputs Mode	Define the output stages mode	2	3
PWMPOL1	PWM Polarity (Out 1)	0	1
PWMPOL2	PWM Polarity (Out 2)	0	1
PWM_Freq	PWM Frequency	1000h	16
ALPHA_POL	Revert the Sign of Alpha	TBD	1
ALPHA_MOD180	Modulo Operation (180deg) on Alpha	TBD	1
ALPHA_DP	Alpha Discontinuity Point	TBD	8
ALPHA_DEADZONE	Alpha Dead Zone	TBD	6
ALPHA_S0	Initial Slope	TBD	16
ALPHA_X	Alpha X Coordinate	TBD	16
ALPHA_Y	Alpha Y Coordinate	TBD	16
ALPHA_S1	Alpha S Coordinate	TBD	16
BETA_POL	Revert the Sign of Beta	TBD	1
BETA_MOD180	Modulo Operation (180deg) on Beta	TBD	1
BETA_DP	Beta Discontinuity Point	TBD	6
BETA_DEADZONE	Beta Dead Zone	TBD	8
BETA_S0	Beta Dead Zone	TBD	16
BETA_X	Beta X Coordinate	TBD	16
BETA_Y	Beta Y Coordinate	TBD	16
BETA_S1	Beta S Coordinate	TBD	16
CLAMP_LOW	Clamping Low	8%	16
CLAMP_HIGH	Clamping High	8%	16
2D		TBD	1
XYZ	SPI Only	TBD	1
KZ		TBD	8
KT		TBD	8
FIELDTHRES_LOW		TBD	8
FIELDTHRES_HIGH		TBD	8
DERIVGAIN		TBD	8
FILTER		TBD	8
FILTER A1	Filter coefficient A1 for FILTER=6	6600h	16
FILTER A2	Filter coefficient A2 for FILTER=6	2A00h	16
FSWAP		TBD	1
FHYST		TBD	8
MELEXISID1		MLX	16
MELEXISID2		MLX	16
MELEXISID3		MLX	16
CUSTOMERID1		TBD	16
CUSTOMERID2		TBD	16
CUSTOMERID3		TBD	16

HIGHSPEED		0	1
GAINMIN		TBD	8
GAINMAX		TBD	8
EEHAMHOLE		3131h	16
RESONFAULT		TBD	2
MLXLOCK		TBD	1
LOCK		TBD	1

## 14. Description of End-User Programmable Items

### 14.1. Output Configuration

The parameter MAINMODE defines the output stages configuration

MAINMODE	OUT1	OUT2
0	ALPHA	BETA
1	BETA	ALPHA
2	ALPHA	ALPHA DERIVATE
3	BETA	BETA DERIVATE

### 14.2. Output Mode

The MLX90333 outputs type is defined by the Output Mode parameter.

Parameter	Value	Description
Analog Output Mode	2, 4	Analog Rail-to-Rail
PWM Output Mode	5	Low Side (NMOS)
	7	Push-Pull
Serial	N/A	Low Side (NMOS)

#### 14.2.1. Analog Output Mode

The Analog Output Mode is a rail-to-rail and ratiometric output with a push-pull output stage configuration allows the use of a pull-up or pull-down resistor.

#### 14.2.2. PWM Output Mode

If one of the PWM Output modes is selected, the output signal is a digital signal with Pulse Width Modulation (PWM).

In mode 5, the output stage is an open drain NMOS transistor (low side), to be used with a pull-up resistor to VDD.

In mode 7, the output stage is a push-pull stage for which Melexis recommends the use of a pull-up resistor to VDD.

The PWM polarity of the Out 1 (Out 2) is selected by the PWMPOL1 (PWMPOL2) parameter:

- PWMPOL1 (PWMPOL2) = 0 for a low level at 100%
- PWMPOL1 (PWMPOL2) = 1 for a high level at 100%

The PWM frequency is selected by the PWM\_Freq parameter.

PWM Frequency Code				
Oscillator Mode	Pulse-Width Modulation Frequency (Hz)			
	100	200	500	1000
Low Speed	35000	17500	7000	3500
High Speed	-	50000	20000	10000

For instance, in Low Speed Mode, set PWM\_Freq = 7000 (decimal) to set the PWM frequency at 500Hz.

### 14.2.3. Serial Protocol Output Mode

The MLX90333 features a digital Serial Protocol mode. The MLX90333 is considered as a Slave node. See the dedicated Serial Protocol section for a full description (Section TBD).

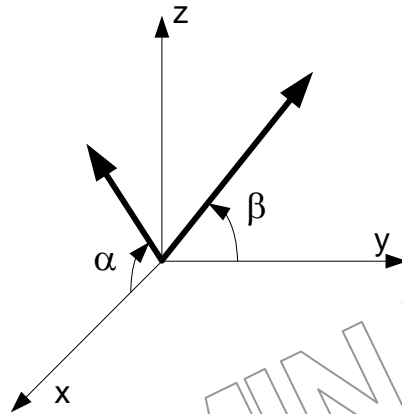
## 14.3. Output Transfer Characteristic

Parameter	Value	Unit
ALPHA_POL BETA_POL	0 1	
ALPHA_MOD180 BETA_MOD180	0 1	
ALPHA_DP BETA_DP	0 ... 359.9999	deg
ALPHA_X BETA_X	0 ... 359.9999	deg
ALPHA_Y BETA_Y	0 ... 100	%
ALPHA_S0 ALPHA_S1 BETA_S0 BETA_S1	0 ... 17	%/deg
CLAMP_LOW	0 ... 100	%
CLAMP_HIGH	0 ... 100	%
ALPHA_DEADZONE BETA_DEADZONE	0 ... 359.9999	deg

### 14.3.1. The Polarity and Modulo Parameters

The angle Alpha is defined as the arctangent of X/Z and Beta as the arctangent of Y/Z. It is possible to invert the polarity of these angles via the parameters ALPHA\_POL and BETA\_POL set to "1".

The MLX90313 can also be insensitive to the field polarity by setting the ALPHA\_MOD180/BETA\_MOD180 to "1".



**14.3.2. Alpha/Beta Discontinuity Point (or Zero Degree Point)**

The Discontinuity Point defines the zero point of the circle (Alpha or Beta). The discontinuity point places the origin at any location of the trigonometric circle (see Figure 12). For a Joystick Application, Melexis recommends to set the DP to zero.

**14.3.3. LNR Parameters**

The LNR parameters, together with the clamping values, fully define the relation (the transfer function) between the digital angles (Alpha and Beta) and the output signals. The shape of the MLX90333 transfer function from the digital angle values to the output voltages is described by the drawing below (See Figure 11). Four segments can be programmed but the clamping levels are necessarily flat.

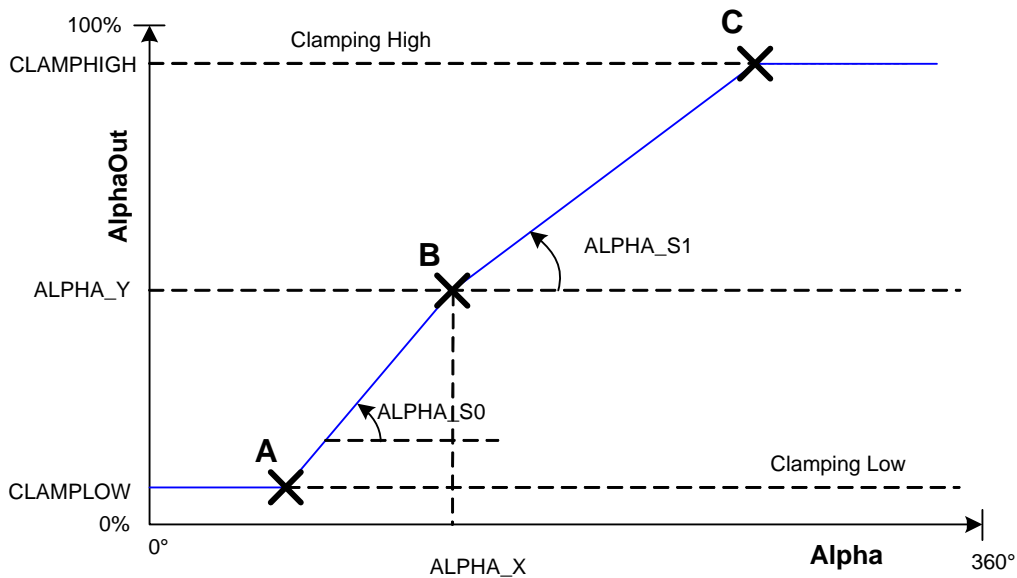


Figure 11 - Digital Angle (Alpha) Transfer Characteristic (Idem ditto for Beta)

### 14.3.4. CLAMPING Parameters

The clamping levels are two independent values to limit the output voltage range. The CLAMP\_LOW parameter adjusts the minimum output voltage level. The CLAMP\_HIGH parameter sets the maximum output voltage level. Both parameters have 16 bits of adjustment. In analog mode, the resolution will be limited by the D/A converter (12 bits) to 0.024%VDD. In PWM mode, the resolution will be 0.024%DC. In SPI mode, the resolution is 14bits or 0.022deg over 360deg.

### 14.3.5. DEADZONE Parameter

The dead zone is defined as the angle window between 0 and 359.9999 (See **Figure 12**). When the digital angle (Alpha or Beta) lies in this zone, the IC is in fault mode (RESONFAULT must be set to "1" – See 14.7.1).

In case of ALPHA\_MOD180 (or BETA\_MOD180) is not set, the angle between 180° and 360° will generate a "deadzone" fault, unless DEADZONE=0.

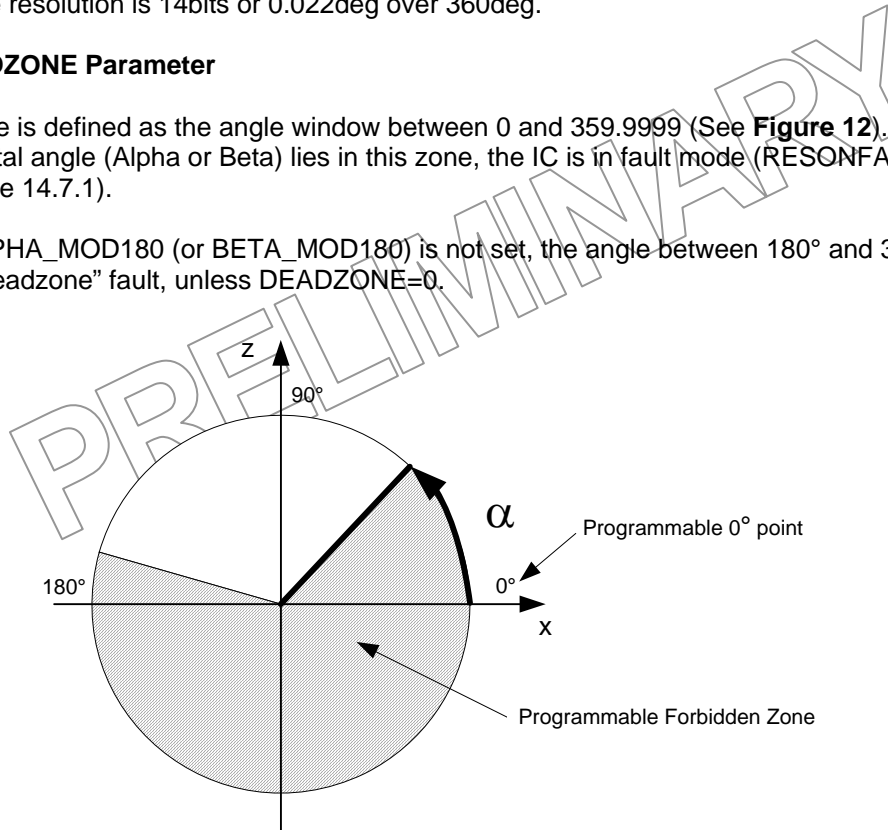


Figure 12 – Discontinuity Point and Dead Zone (Alpha – Idem ditto for Beta)

## 14.4. Identification

Parameter	Value	Unit
MELEXSID1	0 ... 65535	
MELEXSID2	0 ... 65535	
MELEXSID3	0 ... 65535	
CUSTOMERID1	0 ... 65535	
CUSTOMERID2	0 ... 65535	
CUSTOMERID3	0 ... 65535	

Identification number: 48 bits freely useable by Customer for traceability purpose.

### 14.5. Sensor Front-End

Parameter	Value	Unit
HIGHSPEED	0 = Slow mode 1 = Fast mode	
GAINMIN	0 ... 41	
GAINMAX	0 ... 41	
FIELDTHRES_MIN	0 ... 100	%
FIELDTHRES_MAX	0 ... 100	%

#### 14.5.1. HIGHSPEED Parameter

The HIGHSPEED parameter defines the main frequency for the DSP.

- HIGHSPEED = 0 selects the Slow mode with a 7 MHz master clock.
- HIGHSPEED = 1 selects the Fast mode with a 20 MHz master clock.

For better noise performance, the Slow Mode must be enabled.

#### 14.5.2. GAINMIN and GAINMAX Parameters

The MLX90333 features an automatic gain control (AGC) of the analog chain. The AGC loop is based on

$$(V_x)^2 + (V_y)^2 + (V_z)^2 = (\text{Amplitude})^2 = (\text{Radius})^2$$

and it targets an amplitude of 90% of the ADC input span.

The current gain can be read out with the programming unit PTC-04 and gives a rough indication of the applied magnetic flux density (Amplitude).

GAINMIN & GAINMAX define the boundaries within the gain setting is allowed to vary. Outside this range, the outputs are set in diagnostic low.

#### 14.5.3. FIELDTHRES\_MIN and FIELDTHRES\_MAX Parameters

The strength of the applied field is constantly calculated in a background process. The value of this field can be read out with the PTC-04 and

FIELDTHRES\_MIN & FIELDTHRES\_MAX define the boundaries within the actual field strength (Radius) is allowed to vary. Outside this range, the outputs are set in diagnostic low.

### 14.6. FILTER

Parameter	Value	Unit
FHYST	0 ... 11 ; step 0.04	deg
FILTER	0... 6	
FSWAP	0	
	1	

The MLX90333 includes 3 types of filters:

- Hysteresis Filter: programmable by the FHYST parameter
- Low Pass FIR Filters controlled with the Filter parameter
- Low Pass IIR Filter controlled with the Filter parameter and the coefficients FILTER A1 and FILTER A2

Note: if the parameter FSWAP is set to "1", the filtering is active on the digital angle. If set to "0", the filtering is active on the output transfer function.

#### 14.6.1. Hysteresis Filter

The FHYST parameter is a hysteresis filter. The output value of the IC is not updated when the digital step is smaller than the programmed FHYST parameter value. The output value is modified when the increment is bigger than the hysteresis. The hysteresis filter reduces therefore the resolution to a level compatible with the internal noise of the IC. The hysteresis must be programmed to a value close to the noise level.

Please note that for the programmable version, the FHYST parameter is set to 4 by default. If you do not wish this feature, please set it to "0".

#### 14.6.2. FIR Filters

The MLX90333 features 6 FIR filter modes controlled with Filter = 0...5. The transfer function is described below:

$$y_n = \frac{1}{\sum_{i=0}^j a_i} \sum_{i=0}^j a_i x_{n-i}$$

The characteristics of the filters no 0 to 5 is given in the Table 1.

Filter No (j)	0	1	2	3	4	5
Type	Disable	Finite Impulse Response				
Coefficients a <sub>0</sub> ... a <sub>5</sub>	N/A	110000	121000	133100	111100	122210
Title	No Filter	Extra Light			Light	
90% Response Time	1	2	3	4	4	5
99% Response Time	1	2	3	4	4	5
Efficiency RMS (dB)	0	2.9	4.0	4.7	5.6	6.2
Efficiency P2P (dB)	0	2.9	3.6	5.0	6.1	7.0

Table 1 - FIR Filters Selection Table



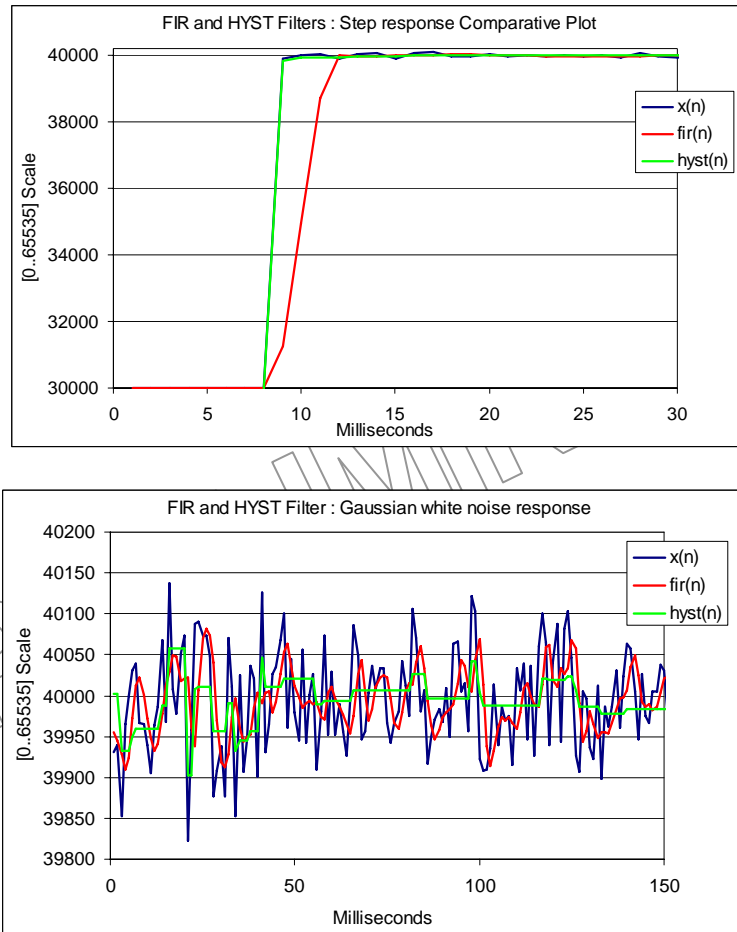


Figure 13 - Step Response and Noise Response for FIR (No 3) and FHYST=10

### 14.6.3. IIR Filters

The IIR Filter is enabled with Filter = 6. The diagram of the IIR Filter implemented in the MLX90333 is given in Figure 14. Only the parameter A1 and A2 are configurable (See Table 2).

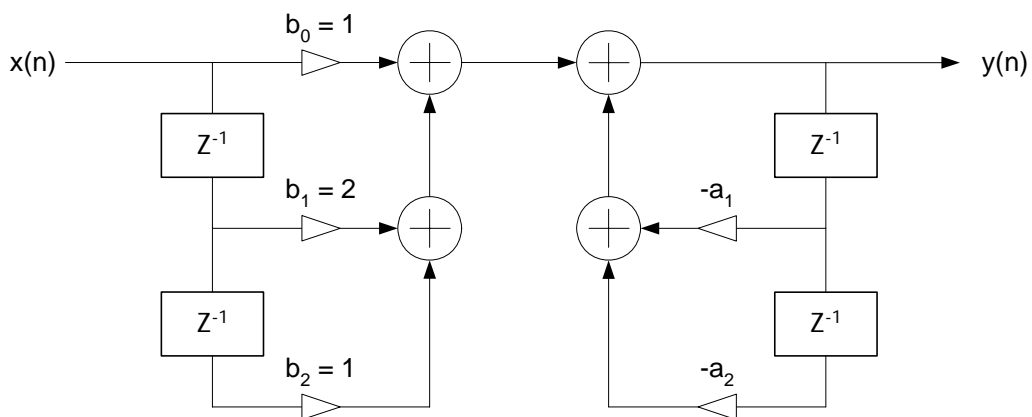


Figure 14 - IIR Diagram

Filter No	6					
Type	2 <sup>nd</sup> Order Infinite Impulse Response (IIR)					
Title	Medium & Strong					
90% Response Time	11	16	26	40	52	100
Efficiency RMS (dB)	9.9	11.4	13.6	15.3	16.2	>20
Efficiency P2P (dB)	12.9	14.6	17.1	18.8	20	>20
Coefficient A1	26112	28160	29120	30208	31296	31784
Coefficient A2	10752	12288	12992	13952	14976	15412

Table 2 - IIR Filter Selection Table

The Figure 15 shows the response of the filter to a Gaussian noise with default coefficient A1 and A2.

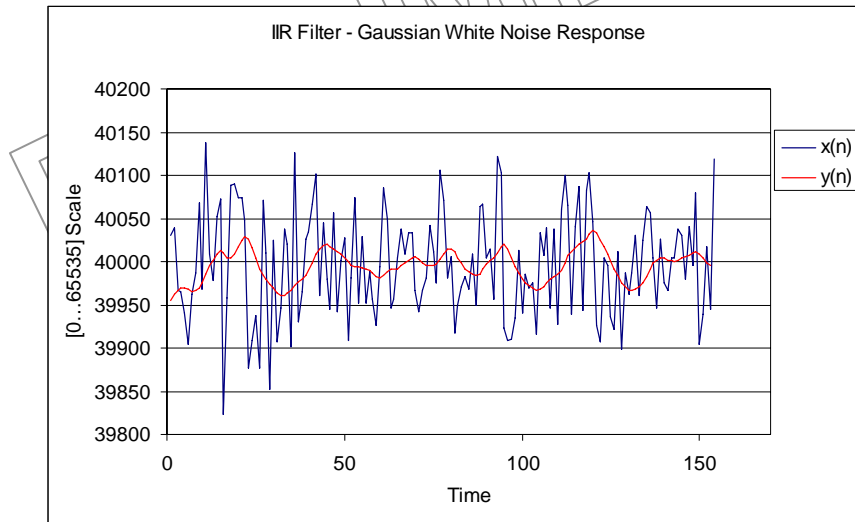


Figure 15 - Noise Response for the IIR Filter

## 14.7. Programmable Diagnostic Settings

Parameter	Value	Unit
RESONFAULT	0 1	
EEHAMHOLE	0 3131h	

### 14.7.1. RESONFAULT Parameter

This RESONFAULT parameter disables the soft reset when a fault is detected by the CPU when the parameter is set to 1. By default, the parameter is set to "0" but it is recommended to set it to "1" to activate the self diagnostic modes (See section 15).

Note that in the User Interface (MLX90333UI), the RESONFAULT is split in two bits:

- DRESONFAULT: disable the reset in case of a fault.
- DOUTINFALT: disable output in diagnostic low in case of fault.

### 14.7.2. EEHAMHOLE Parameter

The EEHAMHOLE parameter disables the memory recovery (Hamming code) check when a fault is detected by the CRC when it is equal to 3131h. By default the parameter is set to 0 (enable memory recovery).

## 14.8. Lock

Parameter	Value	Unit
MLXLOCK	0 1	
LOCK	0 1	

### 14.8.1. MLXLOCK Parameter

MLXLOCK locks all the parameters set by Melexis.

### 14.8.2. LOCK Parameter

LOCK locks all the parameters set by the user. Once the lock is enabled, it is not possible to change the EEPROM values anymore.

Note that the lock bit should be set by the solver function "MemLock".

### 15. MLX90333 Self Diagnostic

The MLX90333 provides numerous self-diagnostic features. Those features increase the robustness of the IC functionality as it will prevent the IC to provide erroneous output signal in case of internal or external failure modes ("fail-safe").

	Action	Effect on Outputs	Remark
ROM CRC Error at start up (64 words including Intelligent Watch Dog - IWD)	CPU Reset <sup>(20)</sup>	Diagnostic low <sup>(21)</sup>	All the outputs are already in Diagnostic low - (start-up)
ROM CRC Error (Operation - Background task)	Enter Endless Loop: - Progress (watchdog Acknowledge) - Set Outputs in Diagnostic low	Immediate Diagnostic low	
RAM Test Fail (Start up)	CPU Reset	Diagnostic low	All the outputs are already in Diagnostic low (start-up)
Calibration Data CRC Error (Start-Up)	Hamming Code Recovery		Start-Up Time is increased by 3 ms if successful recovery
Hamming Code Recovery Error (Start-Up)	CPU Reset	Immediate Diagnostic low	See 14.7.2
Calibration Data CRC Error (Operation - Background)	CPU Reset	Immediate Diagnostic low	
Dead Zone Alpha Dead Zone Beta	Set Outputs in Diagnostic low. Normal Operation until the "dead zone" is left.	Immediate Diagnostic low	Immediate recovery if the "dead zone" is left
ADC Clipping (ADC Output is 0000h or 7FFFh)	Set Outputs in Diagnostic low Normal mode and CPU Reset If recovery	Immediate Diagnostic low	
Radius Overflow ( > 100% ) or Radius Underflow ( < 50 % )	Set Outputs in Diagnostic low Normal mode and CPU Reset If recovery	Immediate Diagnostic low	(50 % - 100 %) No magnet / field too high See also 14.5.2
Field Clipping (Radius < FIELDTHRES_LOW or Radius > FIELDTHRES_HIGH)	Set Outputs in Diagnostic low Normal mode, and No CPU Reset If recovery	Immediate Diagnostic low	
Rough Offset Clipping (RO is < 0d or > 127d)	Set Outputs in Diagnostic low Normal mode, and CPU Reset If recovery	Immediate Diagnostic low	
Gain Clipping (Gain < GAINMIN or GAIN > GAINMAX)	Set Outputs in Diagnostic low Normal mode, and CPU Reset If recovery	Immediate Diagnostic low	See also 14.5.2
DAC Monitor (Digital to Analog converter)	Set Outputs in Diagnostic low. Normal Mode with immediate recovery without CPU Reset	Immediate Diagnostic low	
<i>MLX90333 Fault Mode continues...</i>			

<sup>20</sup> CPU reset means

1. Core Reset (same as Power-On-Reset). It induces a typical start up time.
2. Periphery Reset (same as Power-On-Reset)
3. Fault Flag/Status Lost
4. The reset can be disabled by clearing the RESONFAULT bit (See 14.7.1)

<sup>21</sup> Refer to section 7 for the Diagnostic Output Level specifications

...MLX90333 Fault Mode

Fault Mode	Action	Effect on Outputs	Remark
ADC Monitor (Analog to Digital Converter)	Set Outputs in Diagnostic low. Normal Mode with immediate recovery without CPU Reset	Immediate Diagnostic low	ADC Inputs are Shorted
Undervoltage Mode	At Start-Up, wait Until VDD > 3V.  During operation, CPU Reset after 3 ms debouncing	- VDD < POR level => Outputs high impedance  - POR level < VDD < 3 V => Outputs in Diagnostic low.	
Firmware Flow Error	CPU Reset	Immediate Diagnostic low	Intelligent Watchdog (Observer)
Read/Write Access out of physical memory	CPU Reset	Immediate Diagnostic low	100% Hardware detection
Write Access to protected area (IO and RAM Words)	CPU Reset	Immediate Diagnostic low	100% Hardware detection
Unauthorized entry in "SYSTEM" Mode	CPU Reset	Immediate Diagnostic low	100% Hardware detection
VDD > 7 V	Set Output High Impedance (Analog)	Pull down resistive load => Diag. Low Pull up resistive load => Diag. High <sup>(21)</sup>	100% Hardware detection
VDD > 9.4 V	IC is switched off (internal supply) CPU Reset on recovery	Pull down resistive load => Diag. Low Pull up resistive load => Diag. High	100% Hardware detection
Broken Vss	CPU Reset on recovery	Pull down resistive load => Diag. Low Pull up resistive load => Diag. High	100% Hardware detection. Pull down load ≤ 10 kΩ to meet Diag Low spec: < 4% VDD
Broken VDD	CPU Reset on recovery	Pull down resistive load => Diag. Low Pull up resistive load => Diag. High	No valid diagnostic for VPULLUP = VDD.  Pull up load (≤ 10kΩ) to VPULLUP > 8 V to meet Diag Hi spec > 96% Vdd.

## 16. Recommended Application Diagrams

### 16.1. Analog Output Wiring with the MLX90333 in SOIC Package

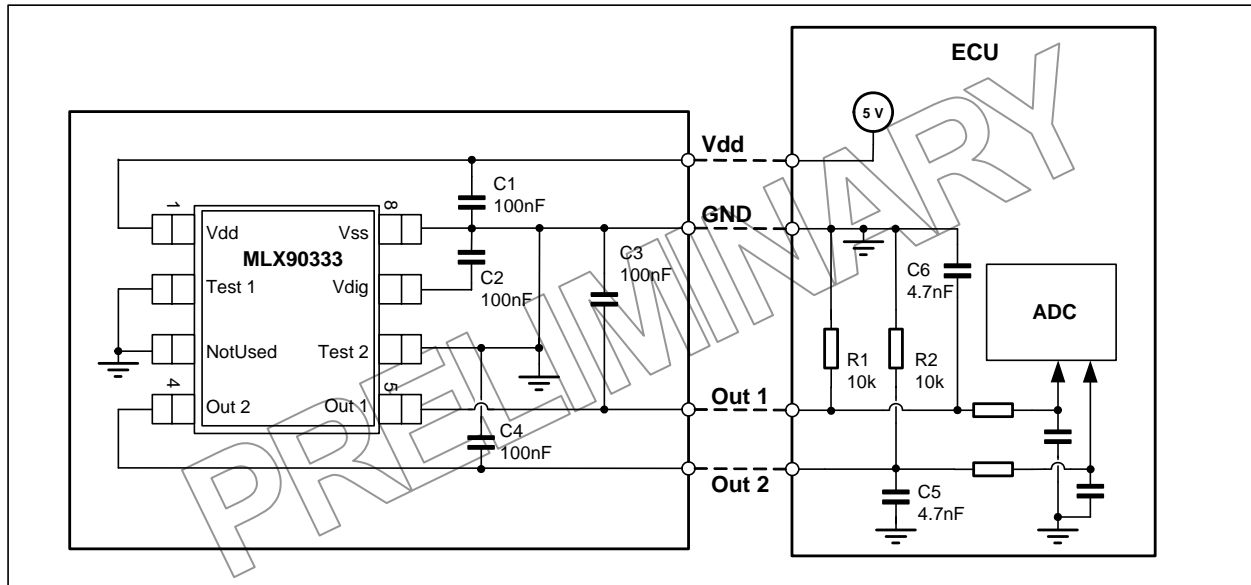


Figure 16 – Recommended wiring for the MLX90333 in SOIC8 package

### 16.2. PWM Low Side Output Wiring

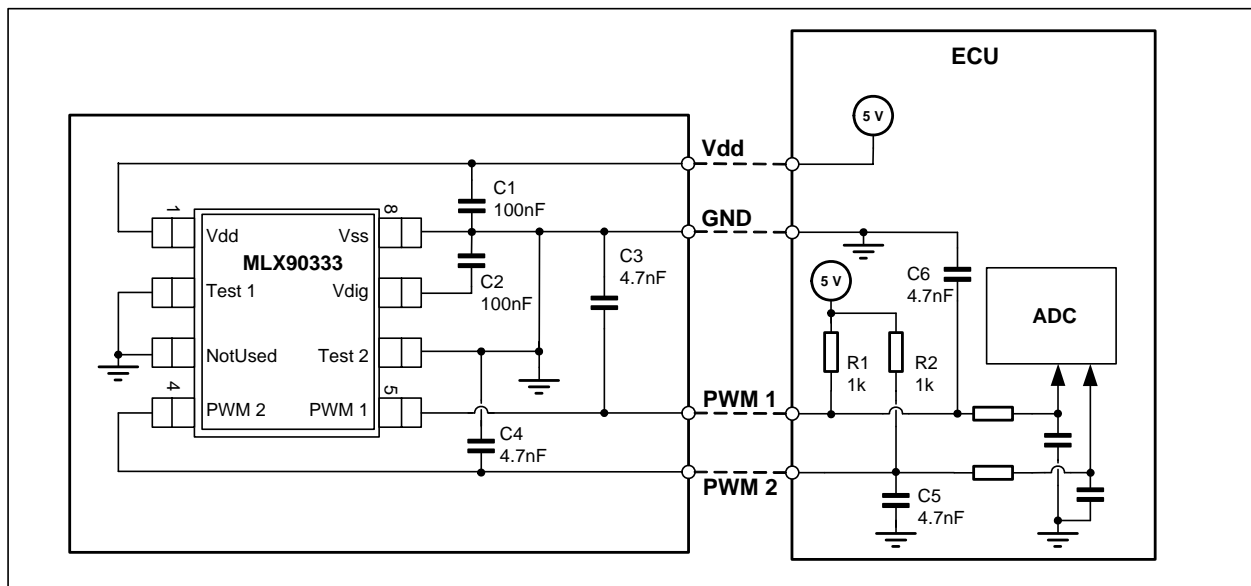


Figure 17 – Recommended wiring for a PWM Low Side Output configuration

**16.3. Analog Output Wiring with the MLX90333 in TSSOP Package**

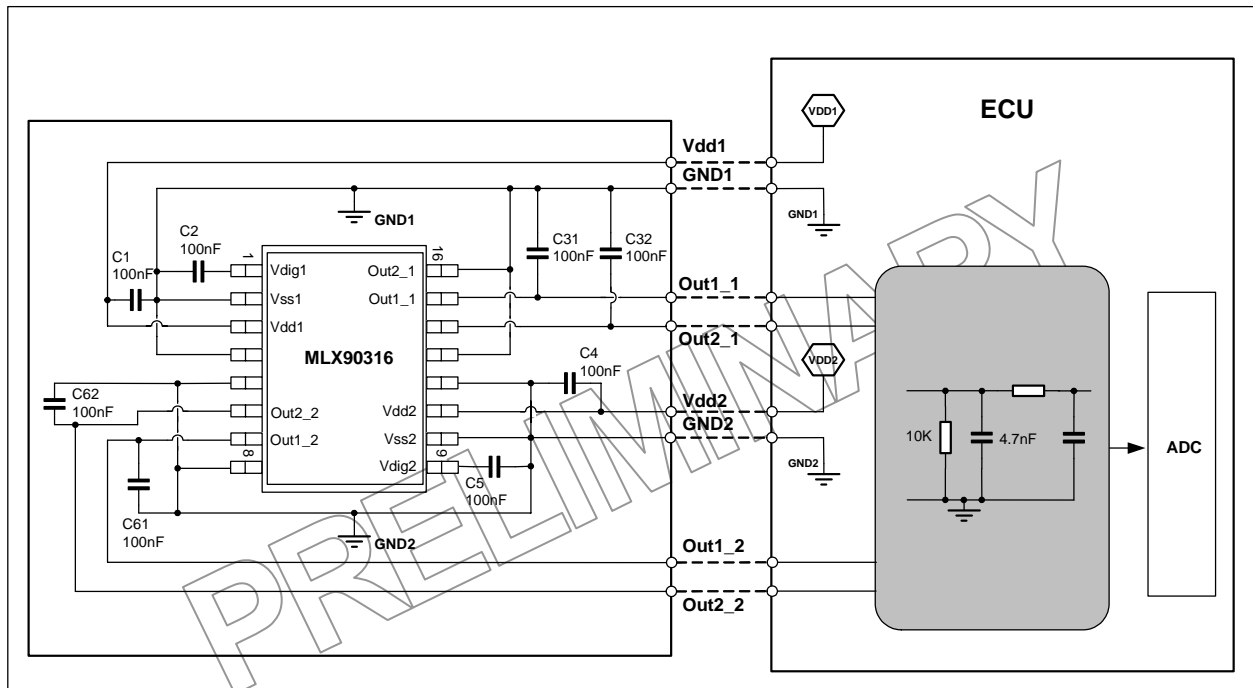


Figure 18 – Recommended wiring for the MLX90333 in TSSOP16 package (dual die).

**16.4. Serial Protocol**

Generic schematics for single slave and dual slave applications are described.

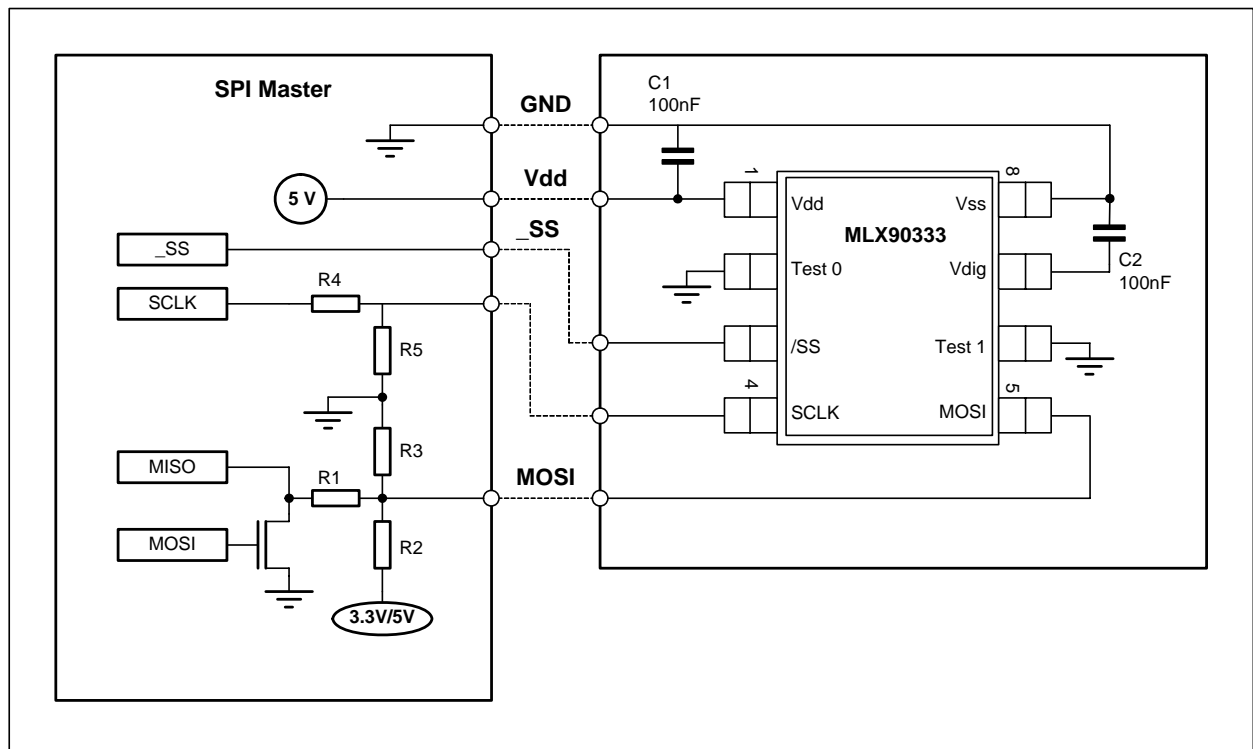


Figure 19 – MLX90333 – Single Die – Serial Protocol Mode

Application Type	$\mu$ Ctrl Supply (V)	Pull-up Supply (V)	90316 Supply (V)	R1 ( $\Omega$ )	R2 ( $\Omega$ )	R3 ( $\Omega$ )	R4 ( $\Omega$ )	R5 ( $\Omega$ )	MOS Type
5V $\mu$ Ctrl w/o O.D. w/o 3.3V	5V	5V	5V	100	1000	20,000	1000	20,000	BS170
5V $\mu$ Ctrl w/o O.D. w/ 3.3V	5V	3.3V	5V	150	1000	N/A	1000	20,000	BS170
3.3V $\mu$ Ctrl w/o O.D. <sup>(23)</sup>	3.3V	3.3V	5V	150	1000	N/A	N/A	N/A	BS170
5V $\mu$ Ctrl w/ O.D. w/o 3.3V <sup>(24)</sup>	5V	5V	5V	100	1000	20,000	1000	20,000	N/A
3.3V $\mu$ Ctrl w/ O.D.	3.3V	3.3V	5V	150	1000	N/A	N/A	N/A	N/A

Table 3 - Resistor Values for Common Specific Applications

<sup>23</sup>  $\mu$ Ctrl w/ O.D. : Micro-controller with open-drain capability (for instance NEC V850ES series)

<sup>24</sup>  $\mu$ Ctrl w/o O.D. : Micro-controller without open-drain capability (like TI TMS320 series or ATMEL AVR )



## **17. Standard information regarding manufacturability of Melexis products with different soldering processes**

Our products are classified and qualified regarding soldering technology, solderability and moisture sensitivity level according to following test methods:

### **Reflow Soldering SMD's (Surface Mount Devices)**

- IPC/JEDEC J-STD-020  
Moisture/Reflow Sensitivity Classification for Nonhermetic Solid State Surface Mount Devices (Classification reflow profiles according to table 5-2)
- EIA/JEDEC JESD22-A113  
Preconditioning of Nonhermetic Surface Mount Devices Prior to Reliability Testing (Reflow profiles according to table 2)
- Melexis Working Instruction 341901308

### **Wave Soldering SMD's (Surface Mount Devices) and THD's (Through Hole Devices)**

- EN60749-20  
Resistance of plastic- encapsulated SMD's to combined effect of moisture and soldering heat
- EIA/JEDEC JESD22-B106 and EN60749-15  
Resistance to soldering temperature for through-hole mounted devices
- Melexis Working Instruction 341901309

### **Iron Soldering THD's (Through Hole Devices)**

- EN60749-15  
Resistance to soldering temperature for through-hole mounted devices
- Melexis Working Instruction 341901309

### **Solderability SMD's (Surface Mount Devices) and THD's (Through Hole Devices)**

- EIA/JEDEC JESD22-B102 and EN60749-21  
Solderability
- Melexis Working Instruction 3304312

For all soldering technologies deviating from above mentioned standard conditions (regarding peak temperature, temperature gradient, temperature profile etc) additional classification and qualification tests have to be agreed upon with Melexis.

The application of Wave Soldering for SMD's is allowed only after consulting Melexis regarding assurance of adhesive strength between device and board.

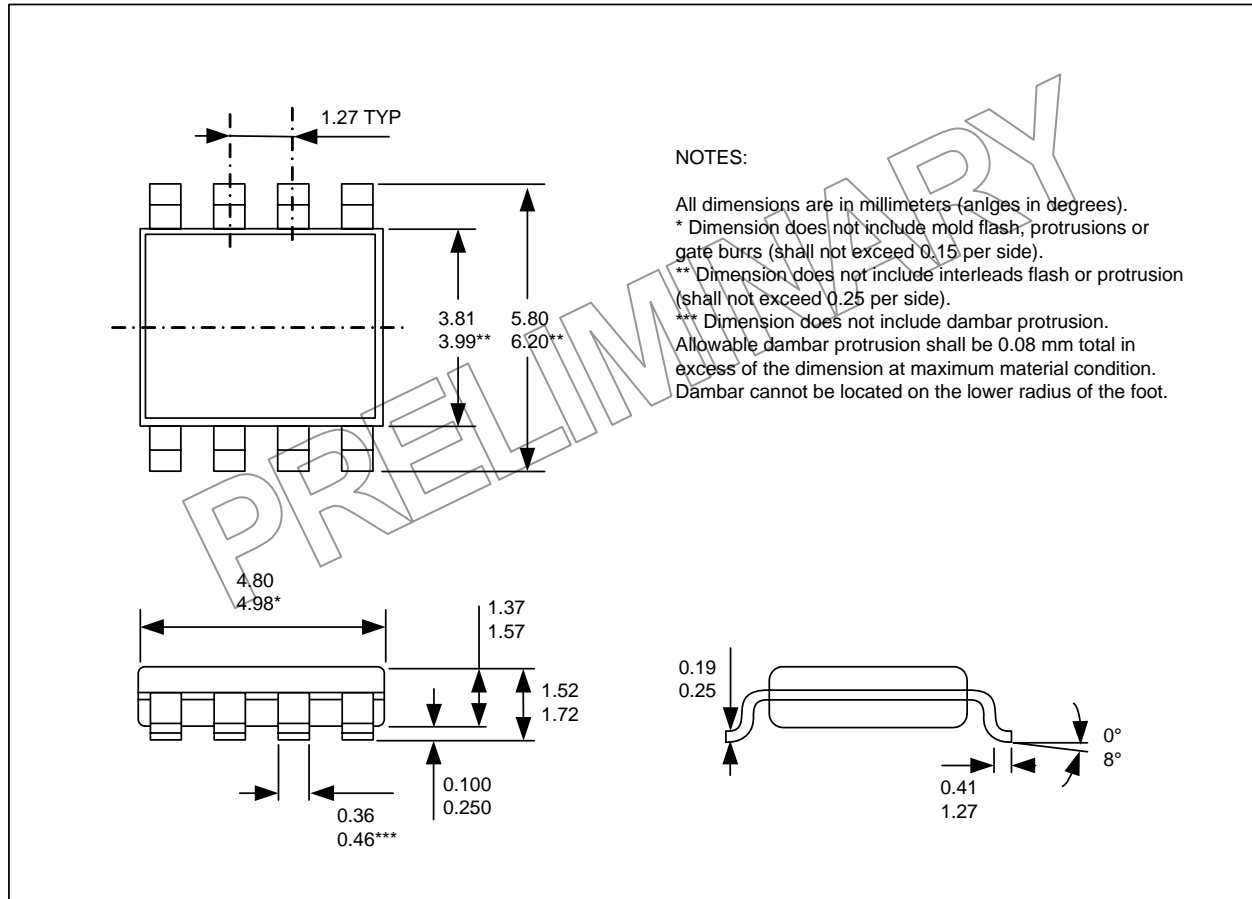
For more information on the lead free topic please see quality page at our website:  
<http://www.melexis.com/quality.aspx>

## **18. ESD Precautions**

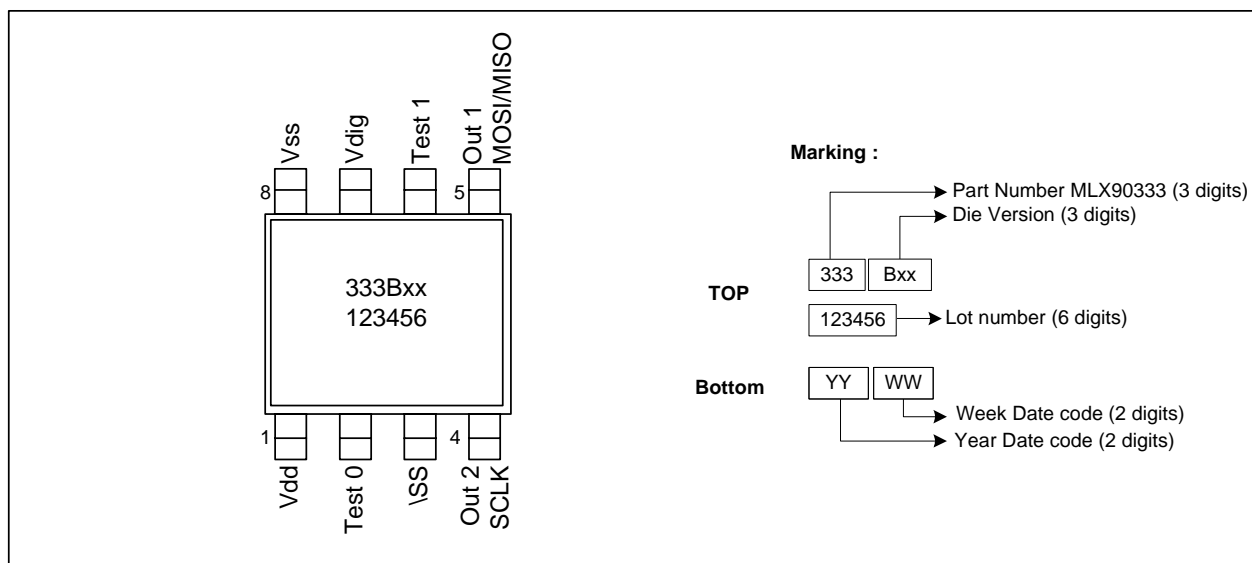
Electronic semiconductor products are sensitive to Electro Static Discharge (ESD). Always observe Electro Static Discharge control procedures whenever handling semiconductor products.

### 19. Package Information

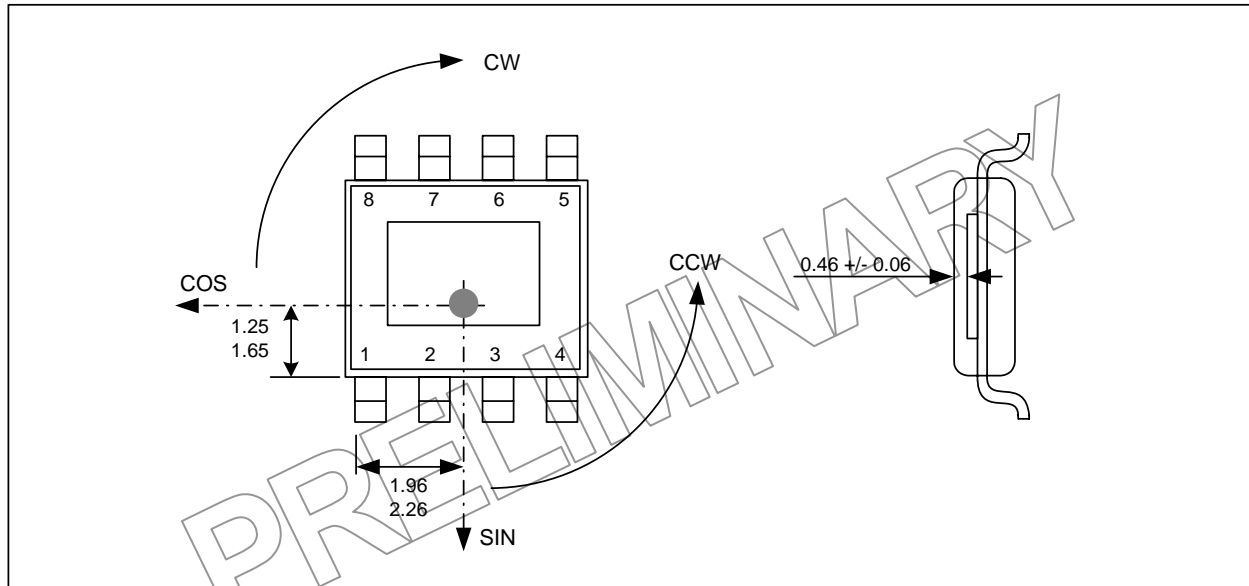
#### 19.1. SOIC8 - Package Dimensions



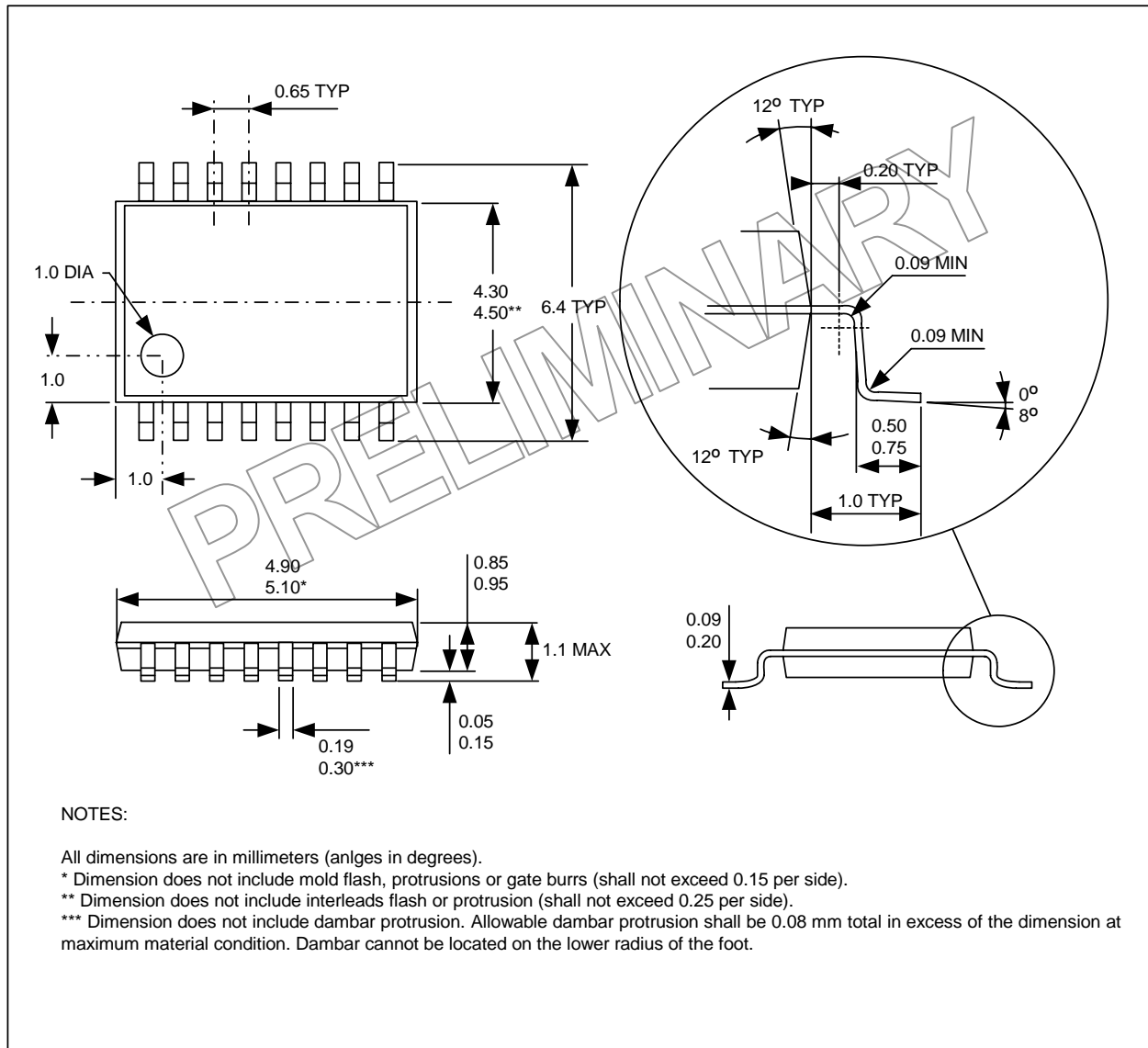
#### 19.2. SOIC8 - Pinout and Marking



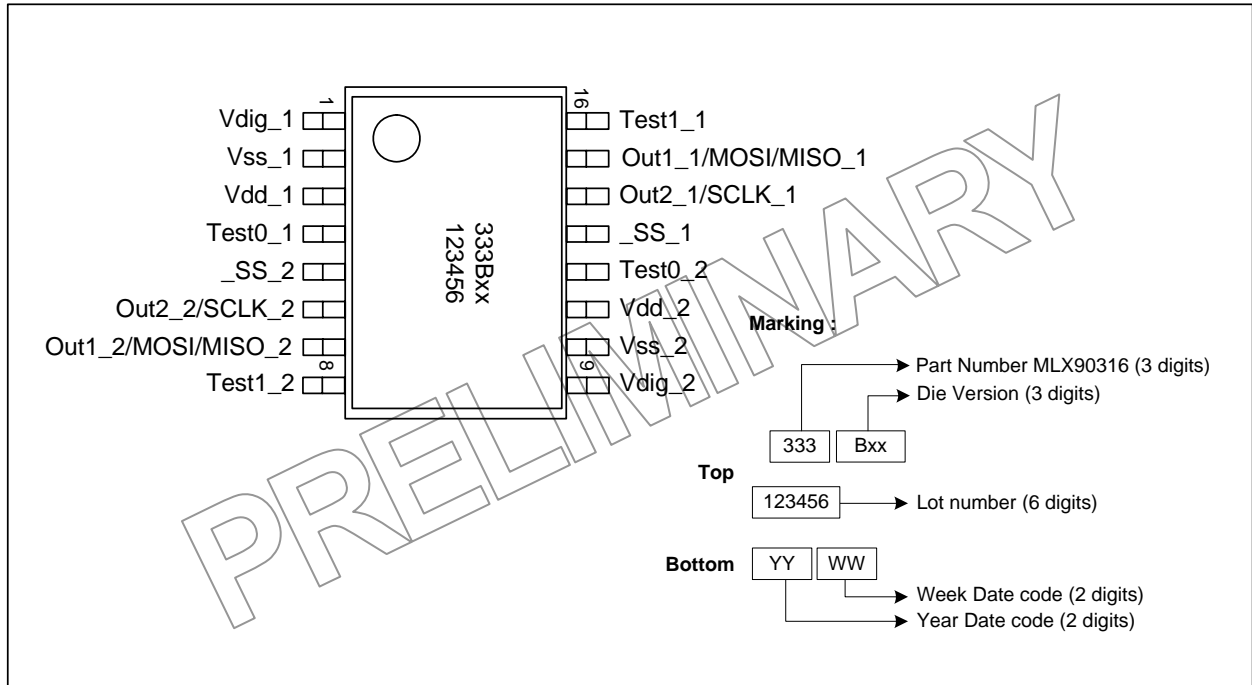
**19.3. SOIC8 - IMC Positioning**



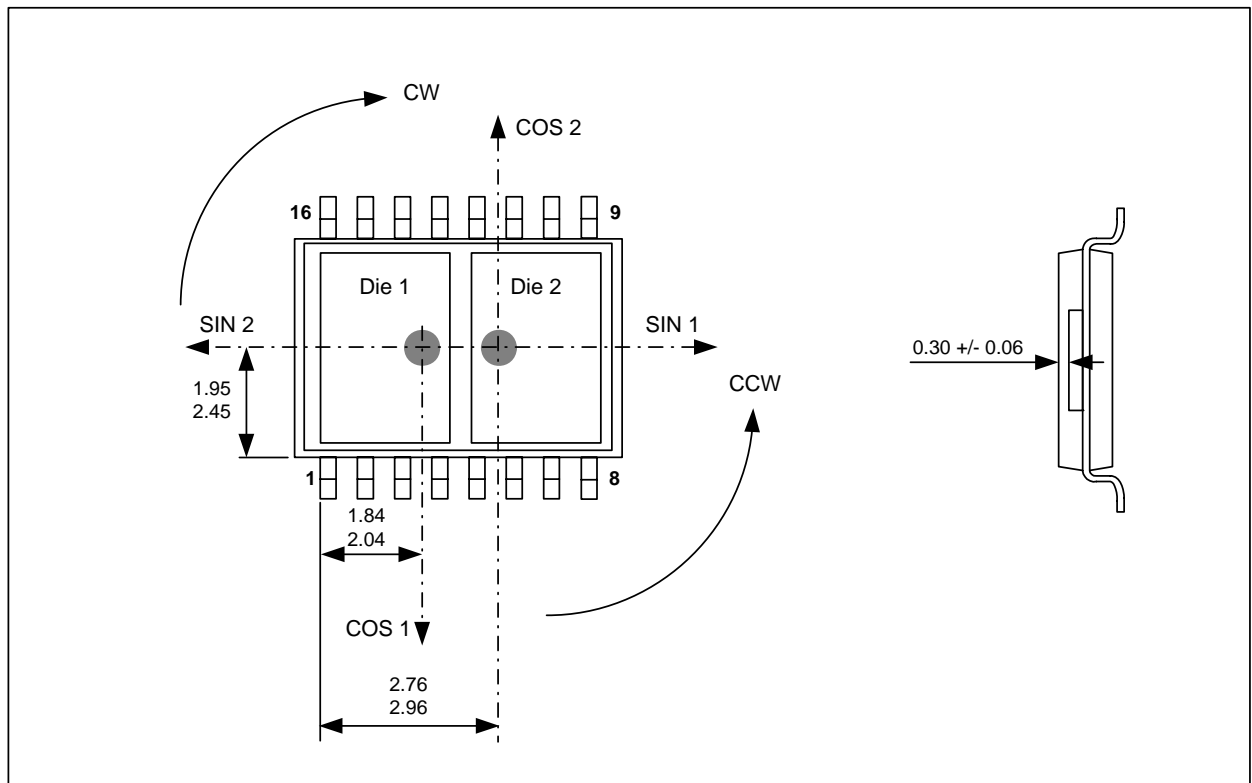
**19.4. TSSOP16 - Package Dimensions**



**19.5. TSSOP16 - Pinout and Marking**



**19.6. TSSOP16 - IMC Positioning**



## 20. Disclaimer

Devices sold by Melexis are covered by the warranty and patent indemnification provisions appearing in its Term of Sale. Melexis makes no warranty, express, statutory, implied, or by description regarding the information set forth herein or regarding the freedom of the described devices from patent infringement. Melexis reserves the right to change specifications and prices at any time and without notice. Therefore, prior to designing this product into a system, it is necessary to check with Melexis for current information. This product is intended for use in normal commercial applications. Applications requiring extended temperature range, unusual environmental requirements, or high reliability applications, such as military, medical life-support or life-sustaining equipment are specifically not recommended without additional processing by Melexis for each application.

The information furnished by Melexis is believed to be correct and accurate. However, Melexis shall not be liable to recipient or any third party for any damages, including but not limited to personal injury, property damage, loss of profits, loss of use, interrupt of business or indirect, special incidental or consequential damages, of any kind, in connection with or arising out of the furnishing, performance or use of the technical data herein. No obligation or liability to recipient or any third party shall arise or flow out of Melexis' rendering of technical or other services.

© 2007 Melexis N.V. All rights reserved.

For the latest version of this document, go to our website at  
[www.melexis.com](http://www.melexis.com)

Or for additional information contact Melexis Direct:

Europe, Africa, Asia:  
Phone: +32 1367 0495  
E-mail: [sales\\_europe@melexis.com](mailto:sales_europe@melexis.com)

America:  
Phone: +1 603 223 2362  
E-mail: [sales\\_usa@melexis.com](mailto:sales_usa@melexis.com)

ISO/TS 16949 and ISO14001 Certified