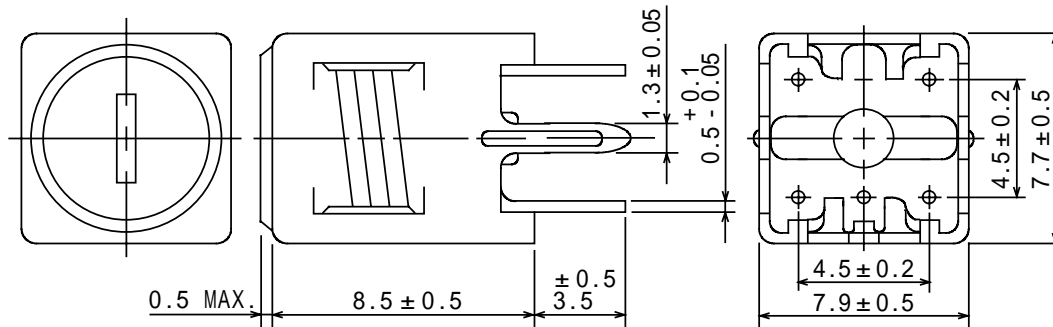


Type: MG89J
Product Description

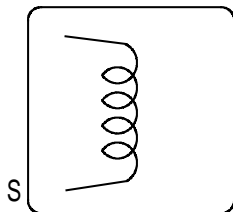
- 8.4 × 8.2mm Max.(L × W), 9.0mm Max. Height.
- Inductance:100mH Max.
- Operating frequency:500kHz Max.
- In addition to the reference versions of parameters shown here, custom designs are available to meet your exact requirements

Feature

- Magnetically shielded variable high inductance construction type.
- RoHS Compliance.

Dimensions (mm)


- * Dimension does not include solder used on coil.
- * Pin pitch should be measured at the root of terminal.

Connection (Bottom View)


" S " is winding start.

Specification (Part No.S711354)

Item	(1-3)	Measuring Conditions
Inductance	4mH±6% Variable	100kHz
Unloaded Q	70 Min.	100kHz