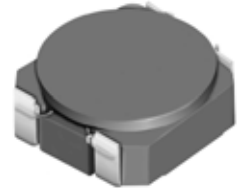
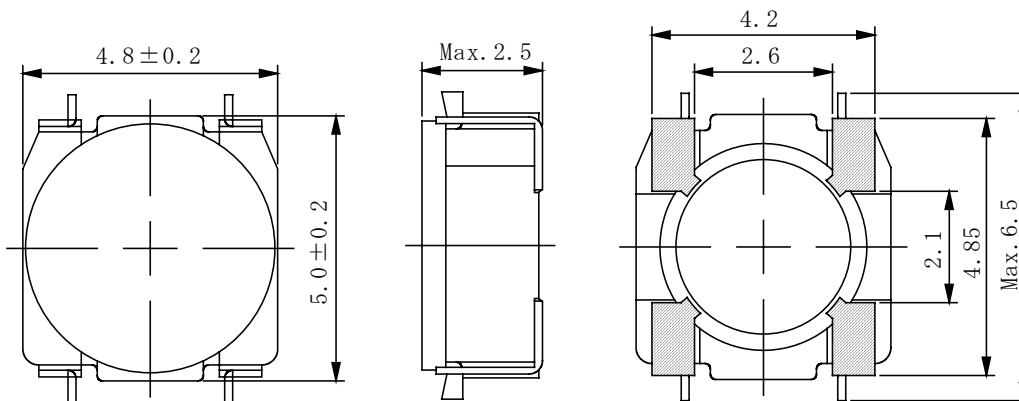
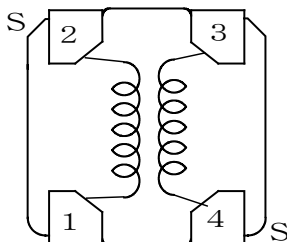


Type: CLS4D23
◆ Product Description

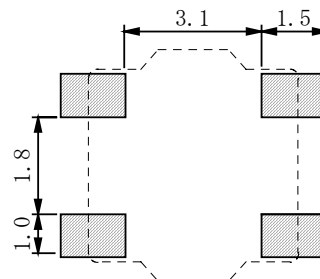
- 5.2×5.0mm Max.(L×W), 2.5mm Max. Height.
- 4 Terminal pins' type gives a flexible design as inductors or transformers (SEPIC,ZETA circuit).
- Custom design is available.


◆ Feature

- Max. Operating frequency 1MHz, Max.
- 2 in 1 Coils for high efficient up-down DC-DC converters (SEPIC, Zeta circuits to be used).
- Can be also used as DC-DC converter inductors.
- Ideally used in the power supply for DSC、Note PC、DVC and W-LED backlighting.
- RoHS Compliance

◆ Dimensions (mm)

◆ Schematics (Bottom)


“ S ” indicates winding start.

◆ Land Pattern (mm)


Type: CLS4D23
◆ Specification

Part No.	Stamp	Inductance [Within]	Saturation Current (A) (at 20°C)※1				Temperature Rise current (A) ※2	
			(1,4-2,3)		(2-3) (1,4 Short)		(1,4-2,3)	(2-3) (1,4 Short)
			at20°C	at100°C	at20°C	at100°C		
CLS4D23NP-1R2N□	A	1.2 μH±30%	2.9	2.5	1.5	1.3	4.0	1.8
CLS4D23NP -1R7N□	B	1.7μH±30%	2.6	2.2	1.3	1.0	3.2	1.4
CLS4D23NP -2R2N□	C	2.2μH±30%	2.4	1.9	1.1	0.9	3.0	1.3
CLS4D23NP -3R6N□	D	3.6μH±30%	1.7	1.4	1.0	0.75	2.4	1.1
CLS4D23NP -5R3N□	E	5.3μH±30%	1.5	1.1	0.72	0.60	2.0	0.85
CLS4D23NP -7R3N□	F	7.3μH±30%	1.3	1.1	0.54	0.45	1.8	0.75
CLS4D23NP -11ØN□	G	11μH±30%	0.9	0.70	0.47	0.41	1.6	0.62
CLS4D23NP -17ØN□	H	17μH±30%	0.72	0.65	0.40	0.30	1.1	0.45
CLS4D23NP -22ØN□	I	22μH±30%	0.57	0.55	0.27	0.22	1.1	0.43

※ Description Of Part Name

CLS4D23NP -1R2N□

- B Box
- C Carrier Tape

※1. Saturation Current: The DC current at which the inductance decreases to 90% of it's nominal value.

※2. Temperature rise current: The DC current at which the temperature rise is Δt=40°C.(Ta=20°C).