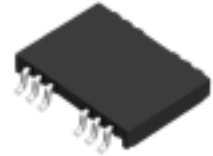
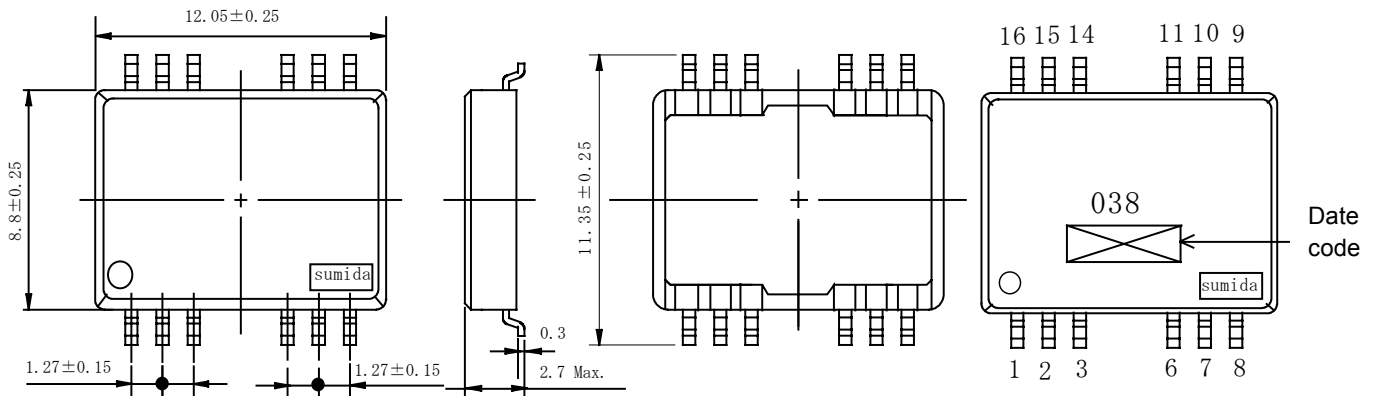
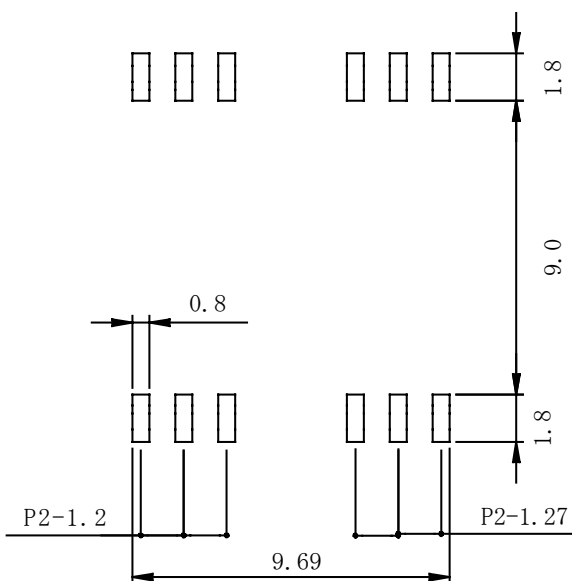
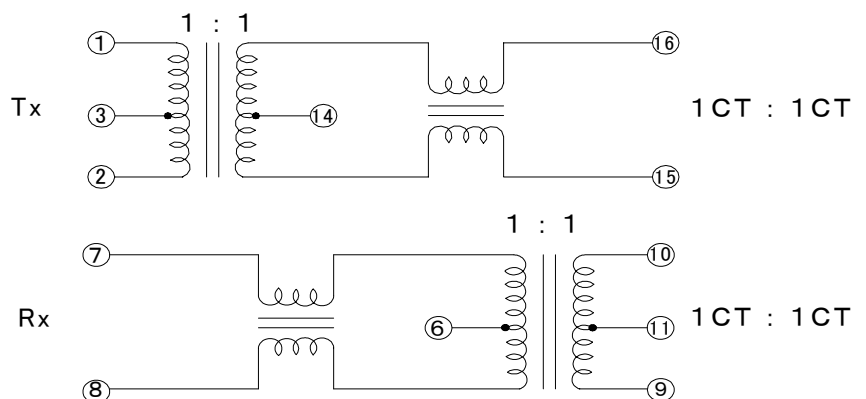


**Type: CLP8D25**
**◆ Product Description**

- 12.3mm × 9.05mm Max. (L × W), 2.7mm Max. Height.
- Pulse transformer + filter module for LAN 10/100 Base-T (IEEE802.3).
- In addition to the typical parameters shown here, custom designs are available.


**◆ Feature**

- 10/100Base-T discrete single port modules.
- Ideally used in LAN applications, router, Hub, switch, etc.
- RoHS Compliance.

**◆ Dimensions (mm)**

**◆ Land Pattern (mm)**

**◆ Schematics (Bottom)**


**Type: CLP8D25**
**◆ Specification(180038)**

Item	Specification		Condition
	T x	R x	
Insertion loss	1.2 dB Max	1.2 dB Max	(0.1MHz)
	1.0 dB Max	1.0 dB Max	(1~100MHz)
Return loss	16 dB Min	16 dB Min	(30MHz)
	12 dB Min	12 dB Min	(60MHz)
	10 dB Min	10 dB Min	(100MHz)
Differential to common Mode rejection	40 dB Min	40 dB Min	(30MHz)
	35 dB Min	35 dB Min	(60MHz)
	30 dB Min	30 dB Min	(100MHz)
Inductance	350 $\mu$ H Min ( 15 - 16 )	200 $\mu$ H Min (9 - 10)	(100kHz,0.1Vrms) DC bias 8mA
Cross talk	40 dB Min	40 dB Min	(30MHz)
	40 dB Min	40 dB Min	(60MHz)
	35 dB Min	35 dB Min	(100MHz)
Turns ratio	1CT:1CT $\pm$ 5%Within	1CT:1C $\pm$ 5%Within	
Voltage isolation	AC 1500 V(50/60Hz) for 6 seconds		