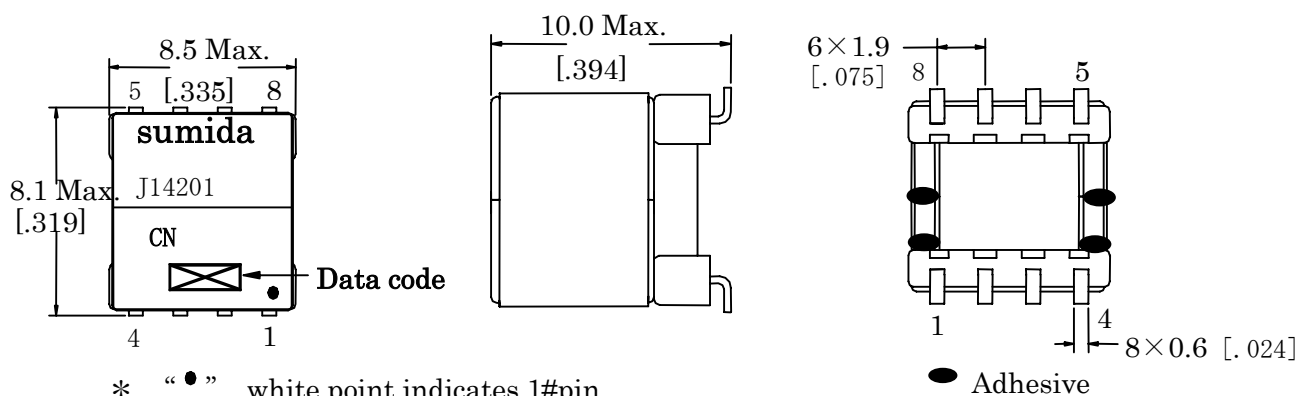


**Type: CEP710**
**◆ Product Description**

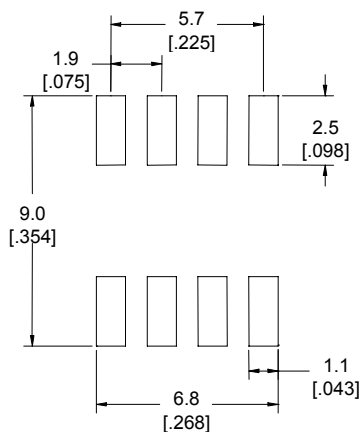
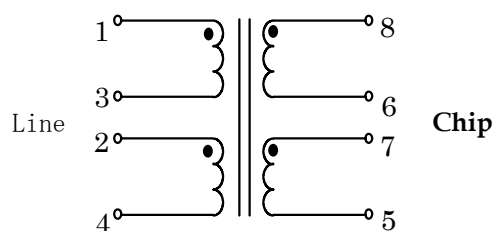
- 8.5×8.1mm Max.(L×W),10.0mm Max. Height.
- Smaller foot print.

**◆ Feature**

- xDSL line transformer.
- Ideally used in ADSL/VDSL Central Office.
- Approved by Conexant used in Accelity module.
- RoHS Compliance.


**◆ Dimensions (mm)**


- \* “●” white point indicates 1#pin.
- \* Dimensions non toleranced are just for reference.
- \* Terminals should be measured excluding the length of soldered point.

**◆ Land Pattern (mm)**

**◆ Schematics(Bottom)**


**Type: CEP710**
**◆ Specification (J14201)**

Parameters	Limits	Measuring conditions
Inductance (Ls) (1-4)	800 $\mu$ H +30% -10%	10kHz,0.1V,Tie(2+3)
Leakage inductance (1-4)	1.4 $\mu$ H Max.	100kHz,0.1V,Tie[(2+3),(5+6+7+8)]
Turns ratio (T/R) (1-4):(8-5)	1.1:1( $\pm$ 2%)	100kHz,0.1V,Tie[(2+3),(6+7)]
Total harmonic distortion	-68dB Max.	5Vrms,50kHz
Interwinding capacitance (Cww) (1-8)	42pF Max.	100kHz 0.1V,Tie[(2+3),(6+7)]
Longitudinal balance (LB)	45dB Min.	100kHz~5.2MHz,Tie(2+3),(6+7)Grounded
	38dB Min.	5.2MHz~12MHz,Tie(2+3),(6+7)Grounded
D.C.R. (8-5)	1.6 $\Omega$ Max.	Tie (6+7)
D.C.R. (1-4)	1.2 $\Omega$ Max.	Tie (2+3)
Hi-Pot (1-2)	750Vrms	0.5mA Max.,1second
Hi-Pot (1-8)	1875Vrms	0.5mA Max.,1second,Tie[(2+3),(6+7)]

\* Complies with CAN/CSA C22.2 No.60950-1,IEC60950-1, and UL60950-1 basic insulation requirement for working voltage up to 250V AC.