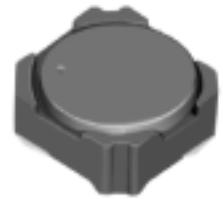


Type: CDR7D28MN

◆ Product Description

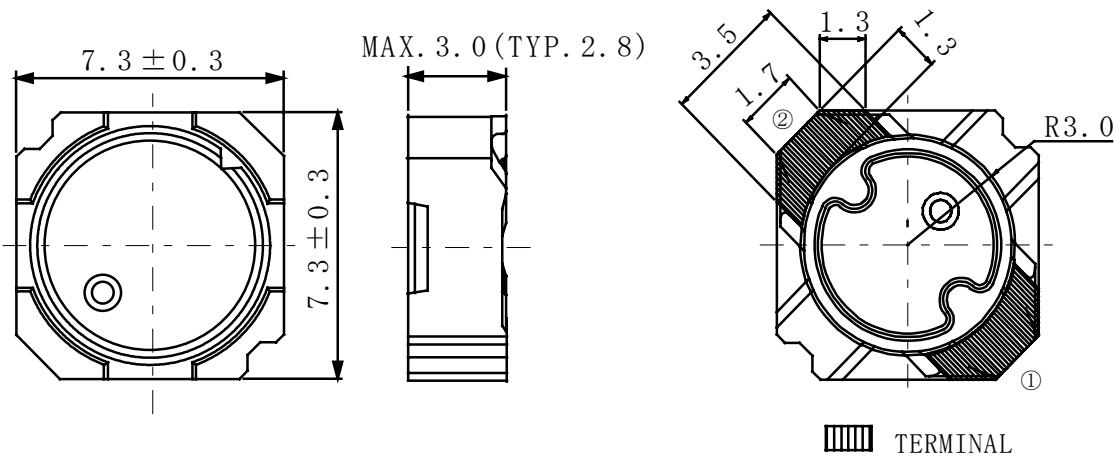
- 7.6×7.6mm Max.(L×W), 3.0mm Max. Height.
- Inductance Range: 1.2~470 μ H
- Rated current range: 0.28~4.5A
- In addition to the standard versions of inductors shown here, custom inductors are available to meet your exact requirements.



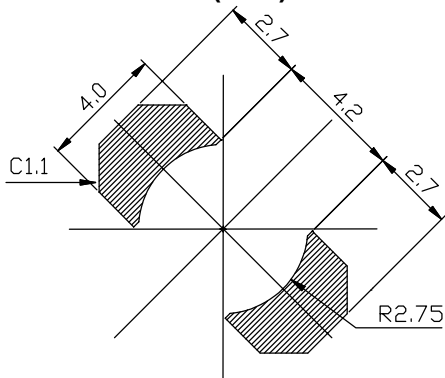
◆ Feature

- Magnetically shielded construction.
- Hybrid power inductors use Mn-Zn D.core & Ni-Zn R.core, used as general power inductors.
- Higher saturation current characteristics than that of Ni-Zn inductors.
- Usually used in LCD driver,DSC/DVC,Notebook PC or the other portable equipment,.
- RoHS Compliance.

◆ Dimensions (mm)



◆ Land Pattern (mm)



Type: CDR7D28MN
◆ Specification

| Part Name ※ | Stamp | Inductance [Within] (100kHz/1V) | D.C.R.(mΩ) Max.(Typ.) (at 20°C) | Saturation Current (A) ※1 | | Heating Current (A) ※2 ΔT=40°C |
|--------------------|-------|---------------------------------------|---------------------------------------|------------------------------|-----------|---|
| | | | | (at20°C) | (at105°C) | |
| CDR7D28MNNP-1R2 N□ | 1R2 | 1.2 μ H±25% | 20.5(16.4) | 5.90 | 4.65 | 4.50 |
| CDR7D28MNNP-2R0 N□ | 2R0 | 2.0 μ H±25% | 23.8(19) | 4.55 | 3.65 | 3.95 |
| CDR7D28MNNP-2R7 N□ | 2R7 | 2.7 μ H±25% | 27.5(22) | 4.10 | 3.30 | 3.70 |
| CDR7D28MNNP-3R6 N□ | 3R6 | 3.6 μ H±25% | 32.5(26) | 3.55 | 2.90 | 3.45 |
| CDR7D28MNNP-4R6 N□ | 4R6 | 4.6 μ H±25% | 37.5(30) | 3.30 | 2.65 | 3.20 |
| CDR7D28MNNP-6R8 N□ | 6R8 | 6.8 μ H±25% | 46.3(37) | 2.90 | 2.45 | 2.75 |
| CDR7D28MNNP-8R0 N□ | 8R0 | 8.0 μ H±25% | 50.0(40) | 2.60 | 2.10 | 2.60 |
| CDR7D28MNNP-100 N□ | 100 | 10 μ H±25% | 53.8(48) | 2.40 | 1.95 | 2.50 |
| CDR7D28MNNP-150 N□ | 150 | 15 μ H±25% | 81.3(65) | 2.10 | 1.65 | 2.00 |
| CDR7D28MNNP-220 N□ | 220 | 22 μ H±25% | 120.0(96) | 1.65 | 1.35 | 1.60 |
| CDR7D28MNNP-330 N□ | 330 | 33 μ H±25% | 196.3(157) | 1.35 | 1.10 | 1.20 |
| CDR7D28MNNP-470 N□ | 470 | 47 μ H±25% | 275.0(220) | 1.05 | 0.85 | 1.00 |
| CDR7D28MNNP-680 N□ | 680 | 68 μ H±25% | 425.0(340) | 0.90 | 0.70 | 0.78 |
| CDR7D28MNNP-101 N□ | 101 | 100 μ H±25% | 655.0(524) | 0.75 | 0.60 | 0.65 |
| CDR7D28MNNP-151 N□ | 151 | 150 μ H±25% | 950.0(760) | 0.60 | 0.45 | 0.52 |
| CDR7D28MNNP-221 N□ | 221 | 220 μ H±25% | 1320(1100) | 0.50 | 0.40 | 0.40 |
| CDR7D28MNNP-331 N□ | 331 | 330 μ H±25% | 2184(1820) | 0.35 | 0.30 | 0.31 |
| CDR7D28MNNP-471 N□ | 471 | 470 μ H±25% | 2652(2210) | 0.30 | 0.25 | 0.28 |

※ Description of part name

CDR7D28MNNP-1R2 N□

- B Box
- C Carrier Tape

※1. Saturation current: The DC current at which the inductance decreases to 65% of its nominal value.

※2. Temperature rise current: The DC current at which the temperature rise is Δt=40°C.(Ta=20°C).