



DATA SHEET

KBJ2500~KBJ2510

IN-LINE GLASS PASSIVATED SINGLE-PHASE BRIDGE RECTIFIER

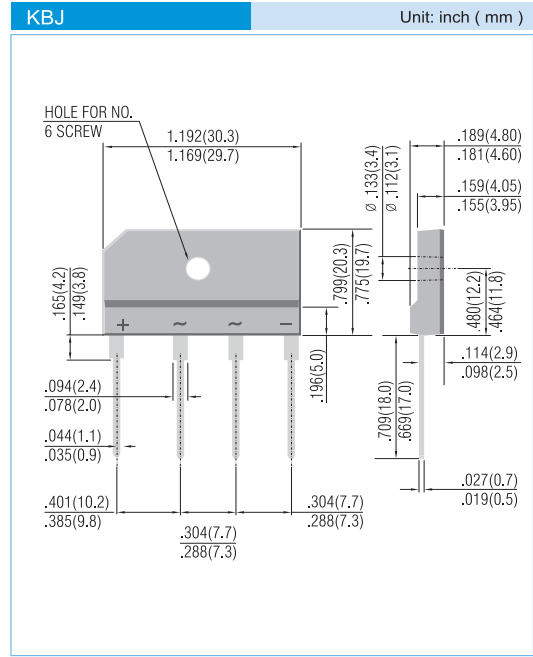
VOLTAGE 50 to 1000 Volts **CURRENT** 25 Amperes

FEATURES

- Plastic material has Underwriters Laboratory Flammability Classification 94V-O
- Ideal for printed circuit board
- Reliable low cost construction utilizing molded plastic technique
- Surge overload rating : 400 Amperes
- High temperature soldering guaranteed : 260 °C/10 seconds/.375"(9.5mm) lead length at 5 lbs.(2.3kg) tension
- Pb free product are available : 99% Sn above can meet Rohs environment substance directive request

MECHANICAL DATA

Case: Reliable low cost construction utilizing molded plastic technique
 Terminals: Leads solderable per MIL-STD-202G, Method 208
 Mounting position: Any
 Mounting torque : 20 in. lb. Max.
 Weight: 7.056g



MAXIMUM RATINGS AND ELECTRICAL CHARACTERISTICS

Ratings at 25°C ambient temperature unless otherwise specified. Resistive or inductive load, 60 Hz.
 For capacitive load, derate current by 20%

| PARAMETER | SYMBOL | KBJ2500 | KBJ2501 | KBJ2502 | KBJ2504 | KBJ2506 | KBJ2508 | KBJ2510 | UNITS | |
|--|-----------------------------------|-------------|---------|---------|---------|---------|---------|---------|-------|--------|
| Maximum Recurrent Peak Reverse Voltage | V _{RRM} | 50 | 100 | 200 | 400 | 600 | 800 | 1000 | V | |
| Maximum RMS Voltage | V _{RMS} | 35 | 70 | 140 | 280 | 420 | 560 | 700 | V | |
| Maximum DC Blocking Voltage | V _{DC} | 50 | 100 | 200 | 400 | 600 | 800 | 1000 | V | |
| Maximum Average Forward Current for Resistive Load at T _c =55°C | I _{AV} | 25 | | | | | | | | A |
| Non-repetitive Peak Forward Surge Current, Rated Load | I _{FSM} | 350 | | | | | | | | A |
| Maximum Forward Voltage per Bridge Element at 15A Specified Current | V _F | 1.1 | | | | | | | | V |
| Maximum Reverse Leakage Current at Rated T _A =25°C | I _R | 10 | | | | | | | | μA |
| Typical Thermal Resistance | R _{θJC} | 1.2 | | | | | | | | °C / W |
| Operating Junction and Storage Temperature Range | T _J , T _{STG} | -50 TO +150 | | | | | | | | °C |

NOTES:

1. Device mounted on 100mm*100mm*1.6mm Cu plate heatsink.

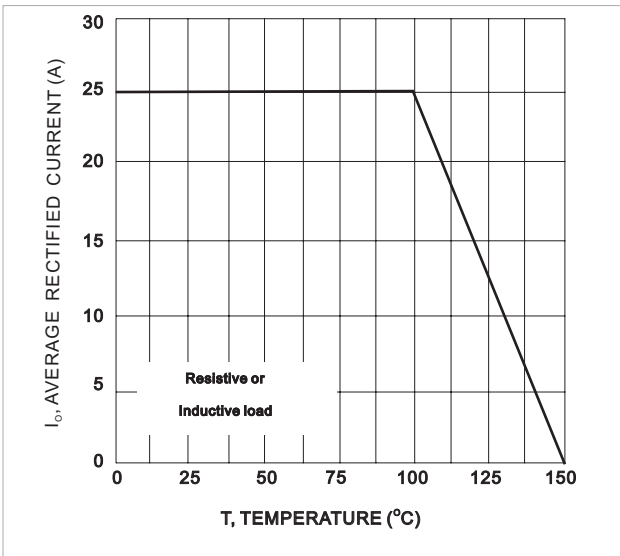


FIG.1-FORWARD CURRENT DERATING CURVE

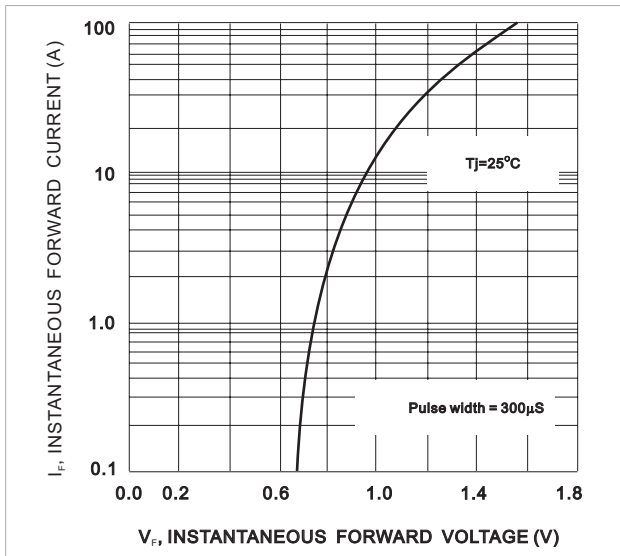


FIG.2-TYPICAL FWD CHARACTERISTICS, PER ELEMENT

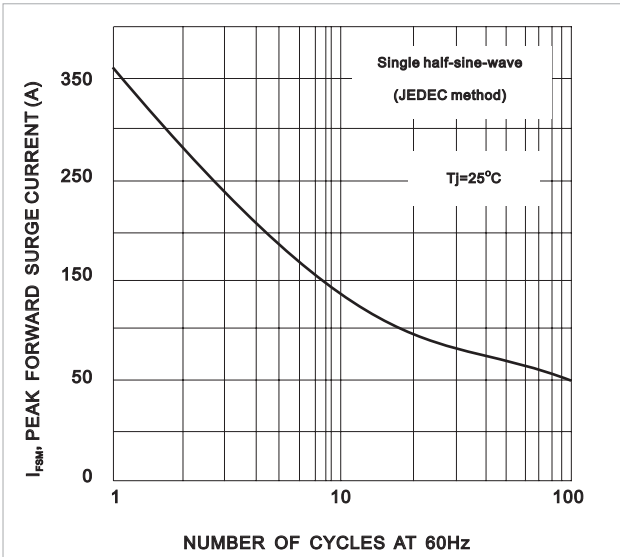


FIG.3-MAXIMUM NON-REPETITIVE SURGE CURRENT

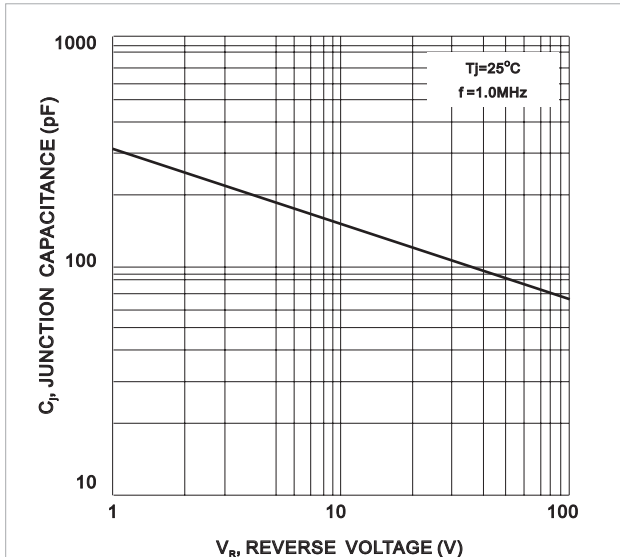


FIG.4-TYPICAL JUNCTION CAPACITANCE