

DIMENSIONS						
REF.	mm			mils		
	MIN.	TYP.	MAX.	MIN.	TYP.	MAX.
A	0.890		1.120	35.05		44.12
A1	0.010		0.100	0.39		3.94
A2	0.880	0.950	1.020	34.65	37.41	40.17
b	0.300		0.500	11.81		19.69
C	0.080		0.200	3.15		7.88
D	2.800	2.900	3.040	110.2	114.17	119.72
E	2.100		2.64	82.70		103.96
E1	1.200	1.300	1.400	47.26	51.19	55.13
e		0.950			37.41	
e1		1.900			74.82	
L	0.400		0.600	15.75		23.63
L1		0.540			21.27	
k			8°			8°

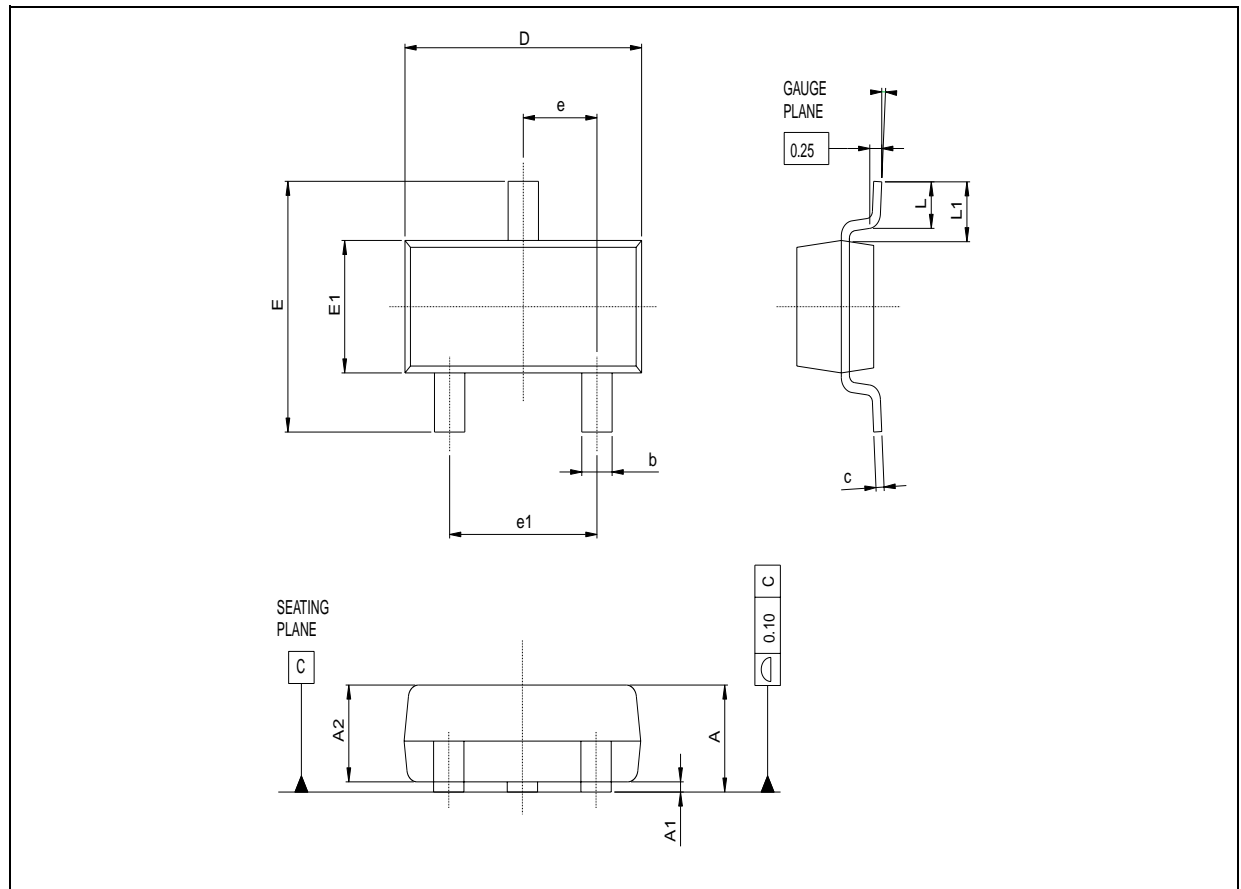


**3-LEAD
SMALL OUTLINE TRANSISTOR 23**

Weight: not available



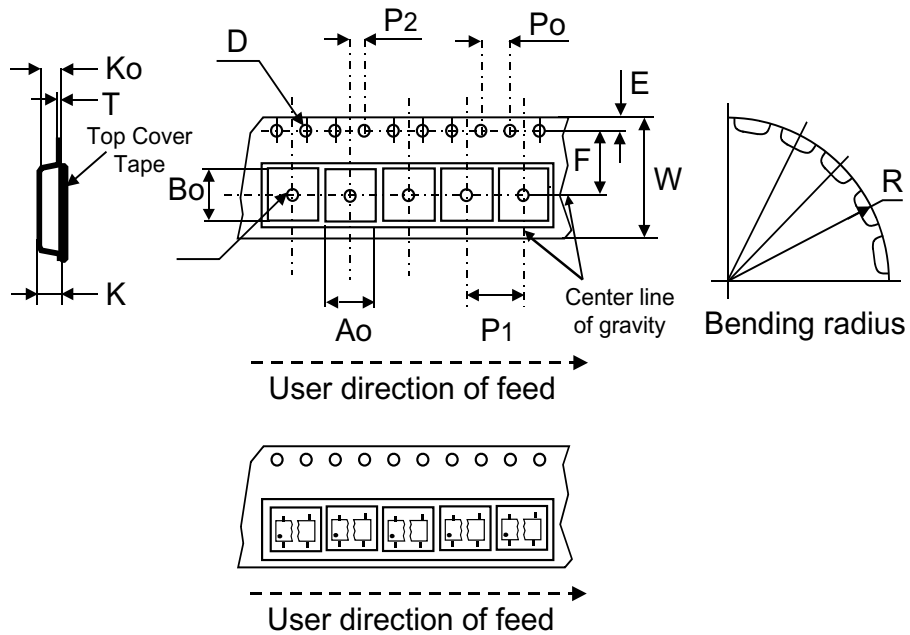
SOT23-3L



SOT23-3L PACKAGE AND PACKING INFORMATION

TAPE & REEL SHIPMENT INFORMATION

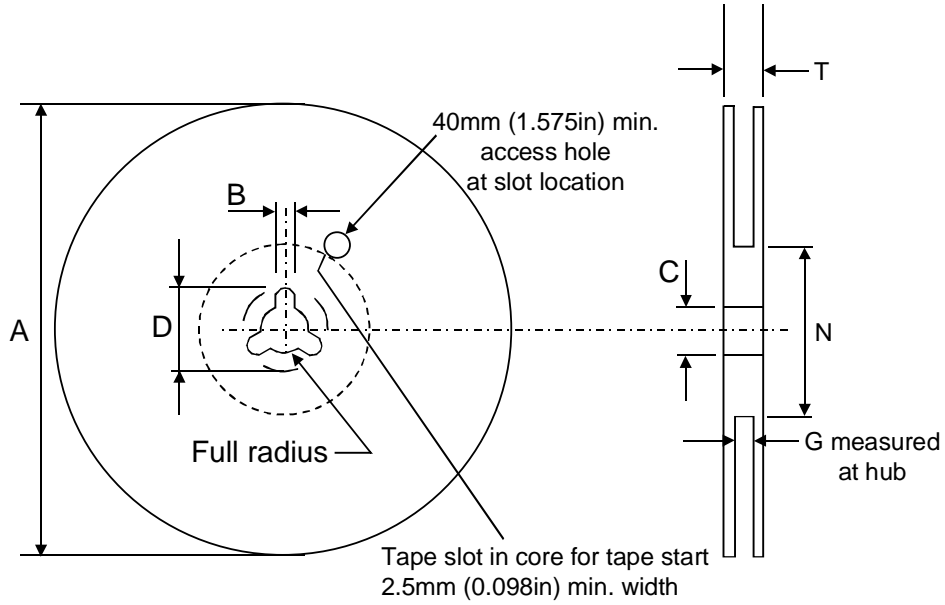
TAPE SPECIFICATIONS



TAPE MECHANICAL DATA		
	mm.	inch
D	1.50 +0.1/0	0.059 +0.004/0
E	1.75 ±0.1	0.069 ±0.004
Po	4.00 ±0.1	0.157 ±0.004
T max.	0.40	0.016
D1 min.	1	0.039
F	3.5 ±0.05	0.138 ±0.002
K max.	2.40	0.094
P2	2.00 ±0.05	0.079 ±0.002
R	25	0.984
W	8.00 ±0.30	0.315 ±0.012
P1	4.00	0.157
Ao, Bo, Ko	0.05 min to 0.50 max.	0.002 min to 0.020 max.

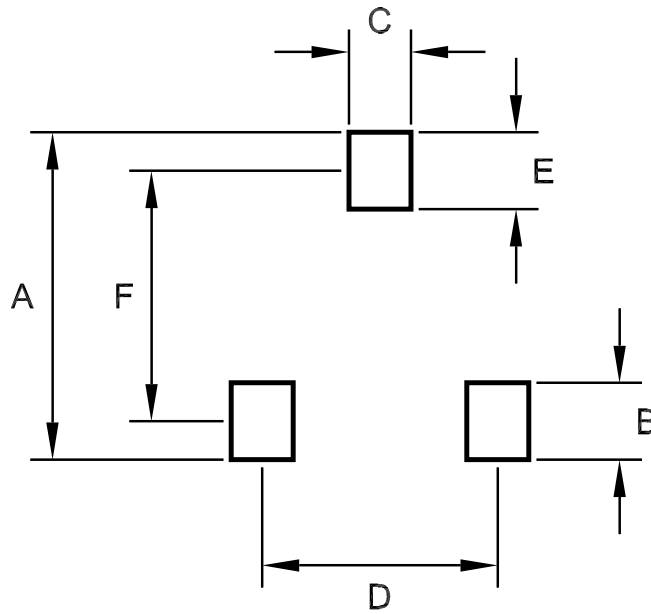
BASE QUANTITY	3000 pcs.
BULK QUANTITY	3000 pcs.

TAPE & REEL SHIPMENT INFORMATION
REEL SPECIFICATIONS



REEL MECHANICAL DATA		
	mm.	inch
Tape size	8.0 ±0.30	0.315 ±0.012
A max.	180.0	7.086
B min.	1.5	0.059
C	13.0 ±0.20	0.512 ±0.008
D min.	20.2	0.795
N min.	60	2.362
G	8.4 +2/-0	0.319 +0.079/-0
T max.	14.4	0.567

FOOTPRINT RECOMMENDED DATA



FOOTPRINT DATA		
	mm.	inch
A	3.09	0.122
B	1.10	0.043
C	0.60	0.024
D	1.90	0.075
E	1.10	0.043
F	1.83	0.072