

**Type: CBM33**

◆ **Product Description**

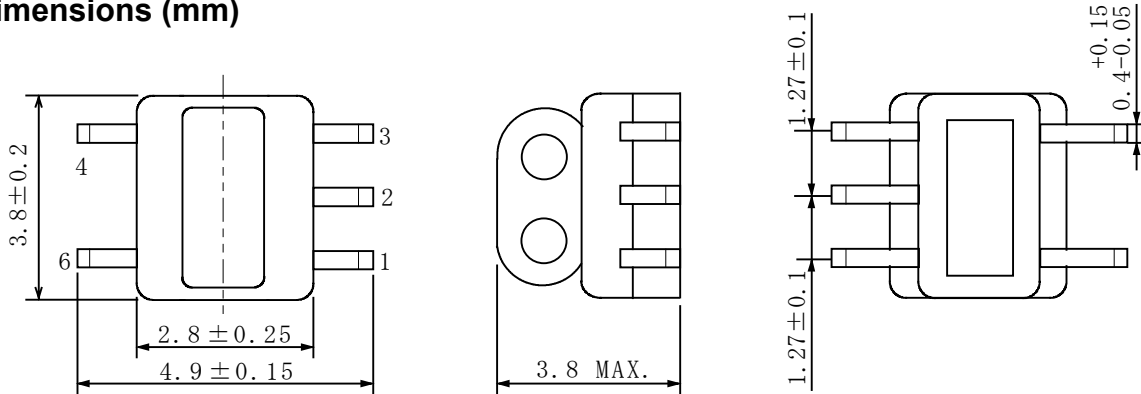
- 4.0 × 3.05mm Max.(L × W), 3.8mm Max. Height.
- Operating frequency: 50MHz ~ 1GHz



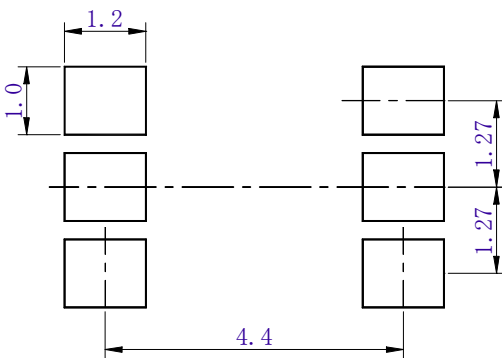
◆ **Feature**

- Balance-unbalance transformer, common mode choke.
- Ideally used in EMC and balance-unbalance converter circuit, CATV signal transfer, USB2.0, IEEE1394.
- RoHS Compliance.

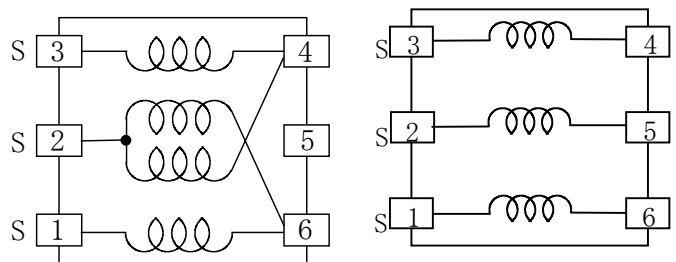
◆ **Dimensions (mm)**



◆ **Land Pattern (mm)**

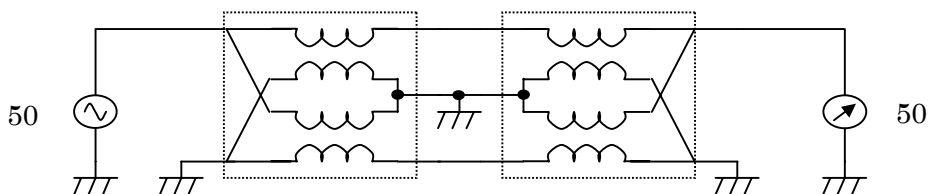


◆ **Schematics (Bottom)**



“S” is winding start.

◆ **Testing circuit**



**Type: CBM33**
**◆ Specification**

NO.	Part Name	Pin No.	Turns	Wire
01	S0746457-01	1 - 6	2.5T	0.10UEW
		2 - 4	2.5T	
		3 - 4	2.5T	
		2 - 6	2.5T	
02	S0746457-02	1 - 6	3.5T	0.10UEW
		2 - 4	3.5T	
		3 - 4	3.5T	
		2 - 6	3.5T	
03	S0746457-03	1 - 6	4.5T	0.08UEW
		2 - 4	4.5T	
		3 - 4	4.5T	
		2 - 6	4.5T	
04	S0746457-04	1 - 6	2.5T	0.10UEW
		2 - 4	2.5T	
		3 - 4	2.5T	
		2 - 6	2.5T	
05	S0746457-05	1 - 6	3.5T	0.10UEW
		2 - 4	3.5T	
		3 - 4	3.5T	
		2 - 6	3.5T	
06	S0746457-06	1 - 6	4.5T	0.08UEW
		2 - 4	4.5T	
		3 - 4	4.5T	
		2 - 6	4.5T	

