



# YOLight™ ULTRAVIOLET LED Lamp YA-UV5N30N series

<b>Y</b>	<b>A</b>	<b>-</b>	<b>UV</b>	<b>5</b>	<b>N</b>	<b>30</b>	<b>N</b>
Yolight	Product Code		Ultraviolet	Size	Shape	Angle 2θ ½	Stand-Off
				5 mm	Normal	30°	No

## FEATURES

- Highly Radiant Intensity
- SiC Technology Chip
- Low Average Degradation
- Water Clear Epoxy Package
- T-1 AND T-1<sub>3/4</sub> Option

## BENEFITS

- Low Energy Consumptions
- Low Maintenance Costs
- High Application Design Flexibility
- High Reliability
- Prompt Shipment
- Very Competitive prices
- Sharp peak profile

## APPLICATIONS

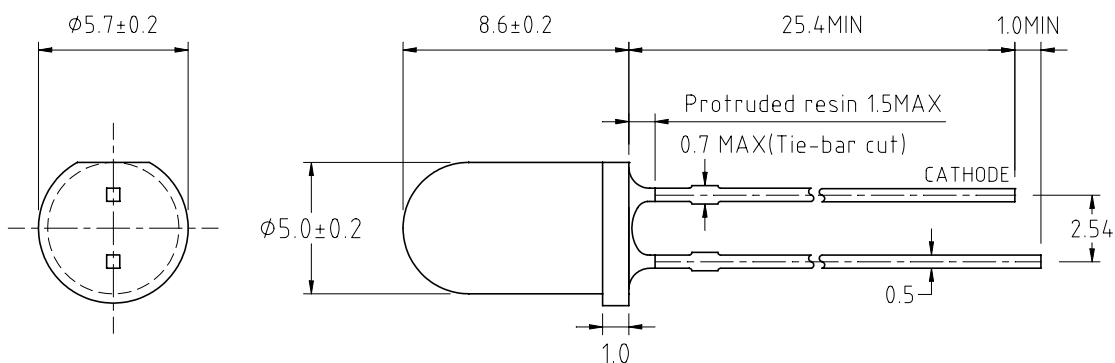
- Counterfeit Detection
- Chemical Detection (Organic / Inorganic Substance)
- Medical Application
- Photo-catalytic Reactions
- UV Air Purifier
- High-resolution Optics
- UV Activated Applications
- Lighting
- Displays

## Delivery

- Bulk, 500 pieces per bag standard
- Ammo or Reel available upon request

**CAUTION:** YA-UV5N30N series LEDs are **Class 2 ESD** sensitive. Static Electricity and surge damage the LEDs. It is recommended to use a wristband or anti-electrostatic glove when handling LEDs. All devices, equipment and machinery must be properly grounded.

## Package Dimensions



### Notes:

1. All dimensions are in millimeters (inches).
2. Tolerance  $\pm 0.25$  (0.01") mm unless otherwise noted.
3. Protruded resin under flange is 1.0mm (0.04") max.
4. Lead spacing is measured where the leads emerge from the package
5. Specifications are subject to change without notice.



**YOLight™ ULTRAVIOLET LED Lamp YA-UV5N30N series**

<b>Y</b>	<b>A</b>	<b>-</b>	<b>UV</b>	<b>5</b>	<b>N</b>	<b>30</b>	<b>N</b>
Yolight	Product Code		Ultraviolet	Size	Shape	Angle 2θ ½	Stand-Off
				5 mm	Normal	30°	No

**Absolute Maximum Ratings at Ta = 25°C**

Forward Voltage	V <sub>f</sub>	3.9 ± 0.3 V
Continuous Forward Current	I <sub>f</sub>	30 mA
Power Dissipation	P <sub>d</sub>	120 mW
Peak Wavelength	λ	395 nm
Peak Forward Current	I <sub>fp</sub>	100 mA **
Reverse Voltage	V <sub>r</sub>	5 V
Derating Factor		0.40 mA/ °C
Operating Temperature	T <sub>op</sub>	-40 ~ +85°C
Storage Temperature	T <sub>stg</sub>	-40 ~ +100°C
Soldering Temperature	T <sub>sd</sub>	260°C / 5 Sec

\*\* Remarks: Duty Ratio = 1/10, Pulse Width = 0.1ms

**Electrical / Radiant Characteristics at Ta = 25°C**

Parameter	Symbol	Min	Typ	Max	Unit	Test Condition
Forward Voltage	V <sub>f</sub>		3.7	4.2	V	I <sub>f</sub> = 30 mA
Radiant Power		6	10			I <sub>f</sub> = 30 mA
Reverse Current	I <sub>r</sub>			10	µA	V <sub>R</sub> = 5V

Note: All data showing in this product specification are measured by proper experiment conditions and instruments. However, those data may be different due to variations of testing instruments and conditions.