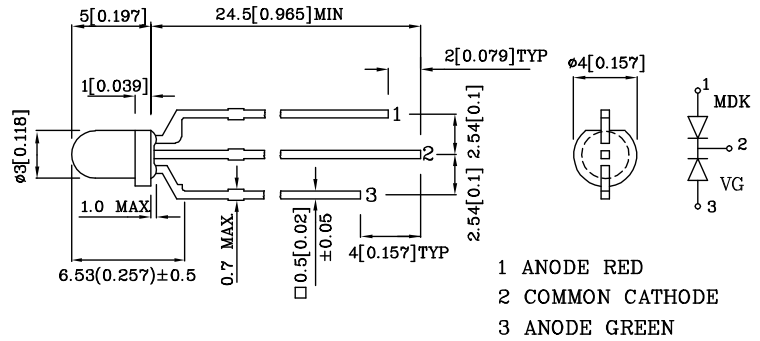


Features

- UNIFORM LIGHT OUTPUT.
- LOW POWER CONSUMPTION.
- 3 LEADS WITH ONE COMMON LEAD.
- I.C. COMPATIBLE.
- LONG LIFE - SOLID STATE RELIABILITY.
- RoHS COMPLIANT.



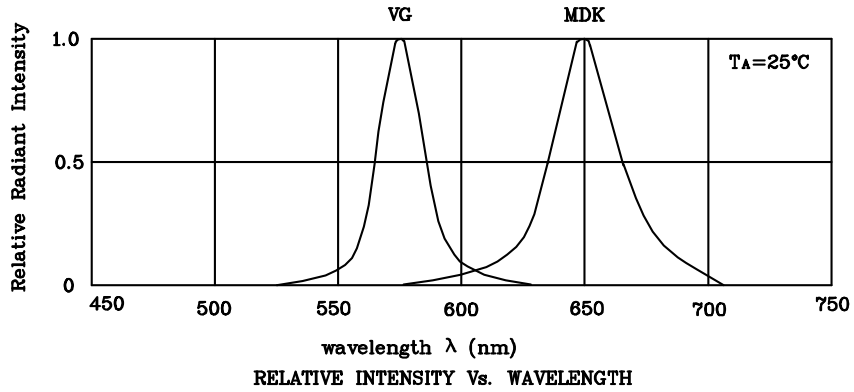
Notes:

1. All dimensions are in millimeters (inches).
2. Tolerance is $\pm 0.25(0.01)$ unless otherwise noted.

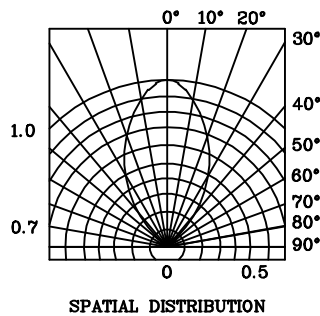
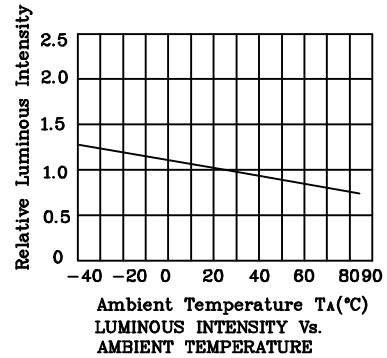
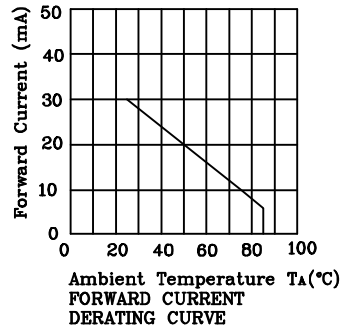
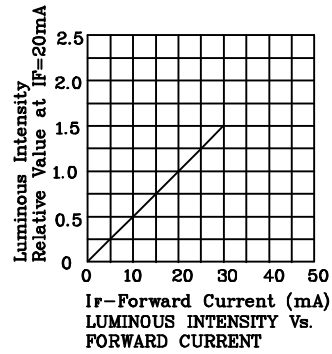
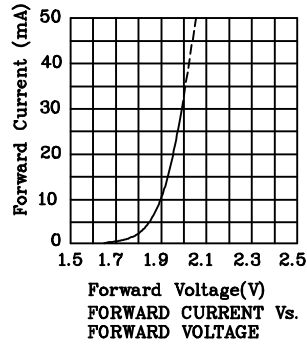
Absolute Maximum Ratings (TA=25°C)		MDK (InGaA IP)	VG (InGaAlP)	Unit
Reverse Voltage	V _R	5	5	V
Forward Current	I _F	30	30	mA
Forward Current (peak) 1/10Duty Cycle 0.1ms Pulse Width	i _{FS}	185	150	mA
Power Dissipation	P _T	170	105	mW
Operating Temperature	T _A	-40 ~ +85		°C
Storage Temperature	T _{stg}	-40 ~ +85		

Operating Characteristics (TA=25°C)		MDK (InGaA IP)	VG (InGaAlP)	Unit
Forward Voltage (typ.) (I _F =20mA)	V _F	1.95	2.1	V
Forward Voltage (max.) (I _F =20mA)	V _F	2.5	2.5	V
Reverse Current (V _R =5V)	I _R	10	10	µA
Wavelength of Peak Emission (I _F =20mA)	λ P	650	574	nm
Wavelength of Dominant Emission (I _F =20mA)	λ D	635	570	nm
Spectral Line Full Width At Half-Maximum (I _F =20mA)	Δλ	28	20	nm
Capacitance (V _r =0V, f=1MHz)	C	35	15	pF

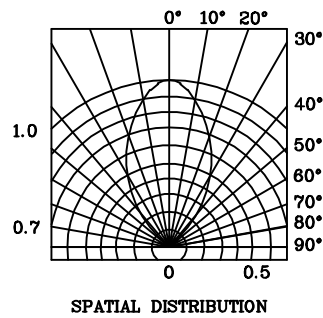
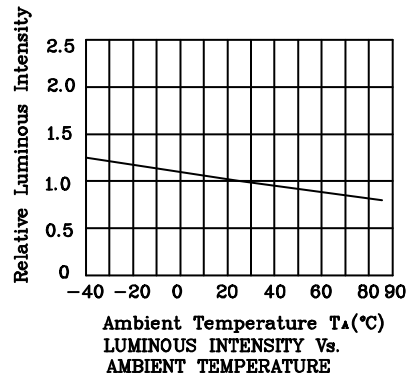
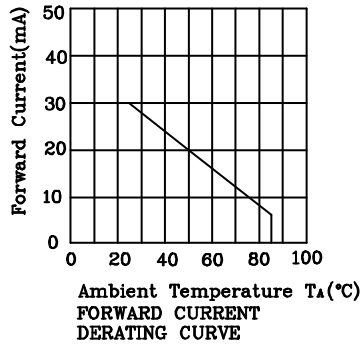
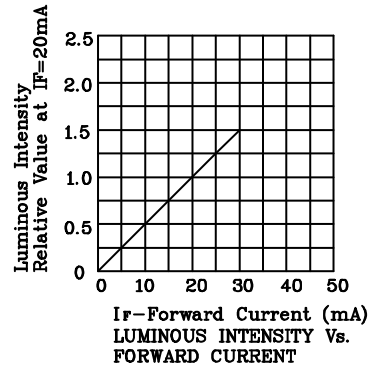
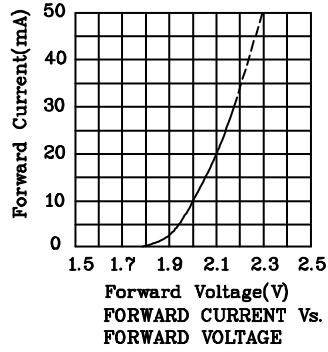
Part Number	Emitting Color	Emitting Material	Lens-color	Luminous Intensity (I _F =20mA) mcd		Wavelength nm λ P	Viewing Angle 2 θ 1/2
				min.	typ.		
XLMDKVG34M	Red	InGaAlP	White Diffused	110	397	650	60°
	Green	InGaAlP		18	108	574	

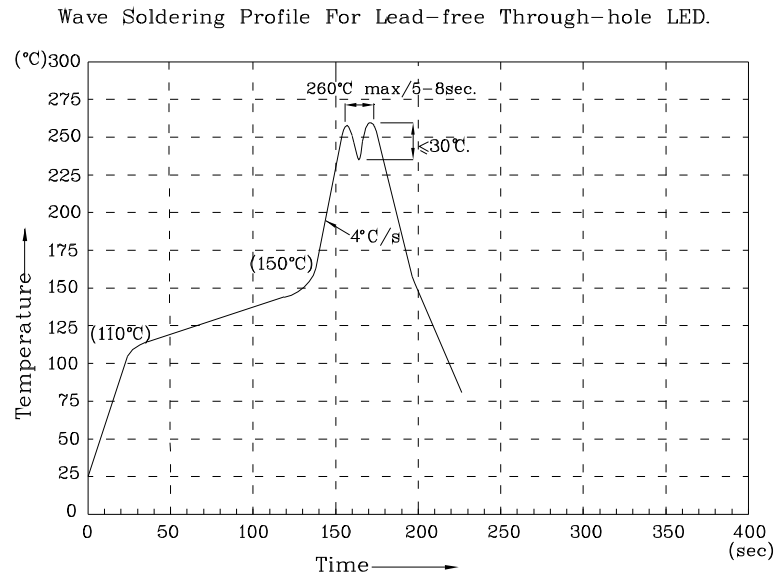


◆ MDK



❖ VG





NOTE:

1. Recommend the wave temperature 245°C~260°C. The maximum soldering temperature should be less than 260°C.
2. Do not apply stress on epoxy resins when temperature is over 85 degree°C.
3. The soldering profile apply to the lead free soldering (Sn/Cu/Ag alloy).
4. No more than once.

Remarks:

If special sorting is required (e.g. binning based on forward voltage, luminous intensity, or wavelength), the typical accuracy of the sorting process is as follows:

1. Wavelength: +/-1nm
2. Luminous Intensity: +/-15%
3. Forward Voltage: +/-0.1V

Note: Accuracy may depend on the sorting parameters.