

XO3050 Series

1.5x1.5 inch, 5.0 & 10.0 Volt, TTL/HCMOS/Sinewave, TCXO



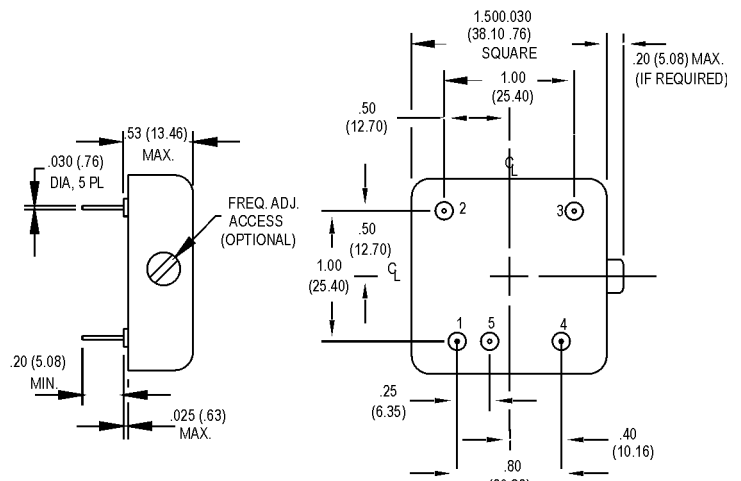
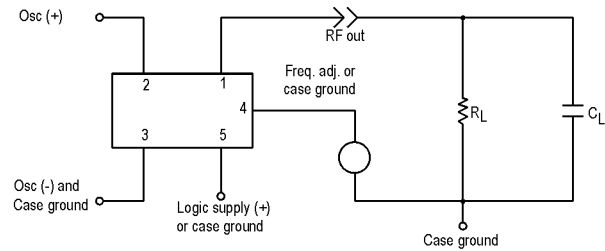
- VCXO version available
- Tight stability and low phase noise

| Model | Frequency (MHz) | Temperature Range (°C) | Temperature Stability | Aging First Year | Output | Supply Voltage |
|------------|-----------------|------------------------|-----------------------|---------------------|--------|----------------|
| XO3050-006 | 10 | -30 to +70 | ±0.75 ppm | ±1.0 ppm | HCMOS | 5 V ±0.25 V |
| XO3051-006 | 10 | -30 to +70 | ±0.75 ppm | ±1.0 ppm | Sine | 10 V ±0.5 V |
| Options | 8 - 160 | See Table | | Frequency Dependent | TTL | 5 V to 15 V |

| Additional Specifications | |
|-----------------------------|---|
| Aging over ten years | ±3.0 ppm max |
| Current | |
| Sinewave | As low as 2 mA |
| HCMOS | As low as 4 mA |
| Frequency Adjust | Internal or electrical to compensate for >10 years of aging |
| Sinewave | |
| Level | -3 dBm to +10 dBm (50 Ω) |
| Load | Up to 1 k Ω |
| HCMOS | |
| Duty Cycle | 40/60 |
| Load | 2 Gates |
| Phase Noise @ 10 MHz | |
| 10 Hz | -90 dBc/Hz |
| 100 kHz | -125 dBc/Hz |
| 1 kHz | -140 dBc/Hz |
| 10 kHz | -155 dBc/Hz |

| Optional Temperature Range (°C) | Frequency/Temperature Stability (ppm) | | | |
|---------------------------------|---------------------------------------|-------|-------|-------|
| | ±1 | ±0.75 | ±0.50 | ±0.25 |
| +15 to +30 | ✓ | ✓ | ✓ | ✓ |
| 0 to +50 | ✓ | ✓ | ✓ | ✓ |
| 0 to +70 | ✓ | ✓ | ✓ | ✓ |
| -20 to +70 | ✓ | ✓ | ✓ | ✓ |
| -40 to +75 | ✓ | ✓ | ✓ | ✓ |
| -55 to +85 | ✓ | ✓ | ✓ | ✓ |

This TCXO can be produced to these specifications, with extended temperature range and tighter stability being cost drivers.



Dimensions are in inches (mm)

Pin Connections

1. RF OUTPUT
2. SUPPLY (+)
3. SUPPLY RETURN (-) AND CASE GROUND
4. FREQUENCY ADJUST OR CASE GROUND (OPTIONAL)
5. LOGIC SUPPLY (+) OR CASE GROUND (OPTIONAL)

Pin numbers shown for ref. only. Numbers are not marked on unit.

MtronPTI reserves the right to make changes to the product(s) and service(s) described herein without notice. No liability is assumed as a result of their use or application.

Please see www.mtronpti.com for our complete offering and detailed datasheets. Contact us for your application specific requirements: MtronPTI 1-800-762-8800.