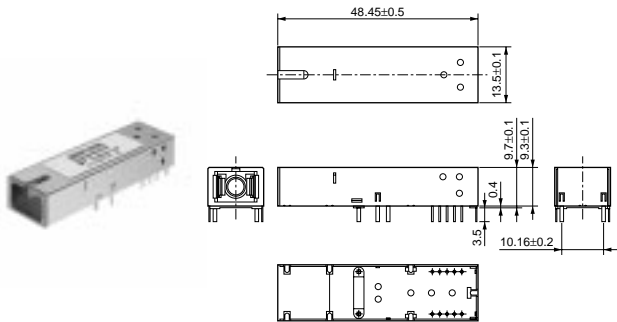


# Optical Transceiver

## ● 1Gbps Bi-Directional SFF Type



(in mm)

Part Number	Wavelength Tx (nm)	Wavelength Rx (nm)	Output Optical Power (dBm)	Sensitivity (dBm)	Electrical Interface
<b>WTFA11GDPS100T</b>	1260 to 1360	1480 to 1580	-3 to +2	-23 max.	AC Coupling
<b>WTFA21GDPS100T</b>	1480 to 1580	1260 to 1360			
<b>WTFA31GDPS100T</b>	1260 to 1360	1480 to 1500			
<b>WTFA41GDPS100T</b>	1480 to 1500	1260 to 1360			
<b>WTFD11GDPS100T</b>	1260 to 1360	1480 to 1580			PECL
<b>WTFD21GDPS100T</b>	1480 to 1580	1260 to 1360			
<b>WTFD31GDPS100T</b>	1260 to 1360	1480 to 1500			
<b>WTFD41GDPS100T</b>	1480 to 1500	1260 to 1360			

Power Supply Voltage: 3.3V Connector Type: SC Connector