

HSH2001CIEO

Lamps for Photolithography



Description

PerkinElmer Optoelectronics is a leading manufacturer of mercury short arc lamps ranging in output power from 1000 to 8000 watts. These lamps are used in the production of printed circuit boards, liquid crystal displays and semiconductors. The HSH Series lamps are used worldwide in microlithography systems manufactured by ASML, Canon, GCA, Nikon, Karl Suss, Ultratech Stepper, and SVG. With extremely high stability, uniform output distribution and extended lamp lifetimes, the HSH Series has become the lamp choice of many of the world's leading semiconductor manufacturers.

PerkinElmer has been a leading manufacturer of high intensity arc lamps for more than 30 years and is a premier lamp supplier for solid state lasers, medical equipment, NASA space systems and microlithography. PerkinElmer has steadily advanced lamp performance from 1000 watts to 8000 watts. With the introduction of new materials and proprietary manufacturing processes, we have extended lamp lifetimes from several hundred

hours to more than two thousand hours. The HSH Series provides longer lifetimes, outstanding uniformity, and excellent spectral quality which results in increased throughput, reduced downtime and an overall reduction in the cost of ownership.

Applications

- Microlithography

HSH2001CIEO

Operational Specifications

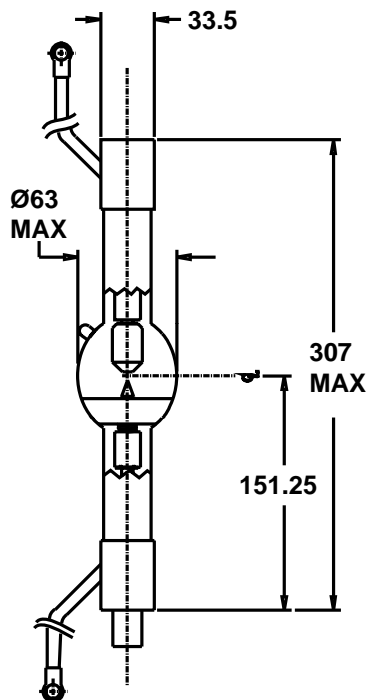
Description	Nominal	Range
Power	2000 watts	
Current	77 amps (DC)	69-87 amps (DC)
Voltage	26 volts (DC)	23-29 volts (DC)
Current Ripple	3%	
Temperature (at base)	220°C (max)	
Lifetime	2500 hours	

Physical Specifications

Description	Specification
Arc Gap	4.5 mm (max)
Anode Base	33.5 mm Dia and Cable
Cathode Base	33.5 mm Dia and Cable

Dimensions

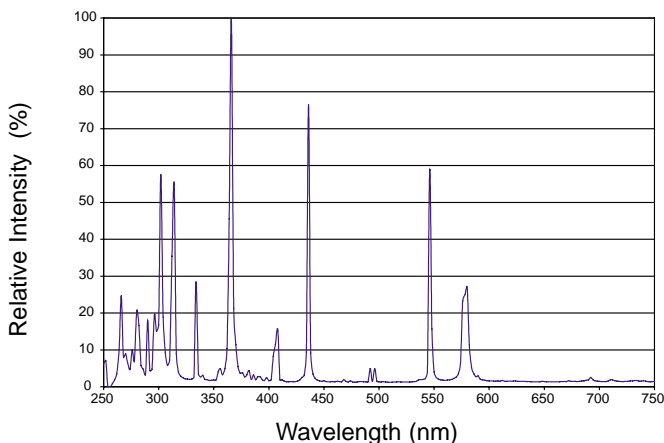
ANODE (+)
END UP



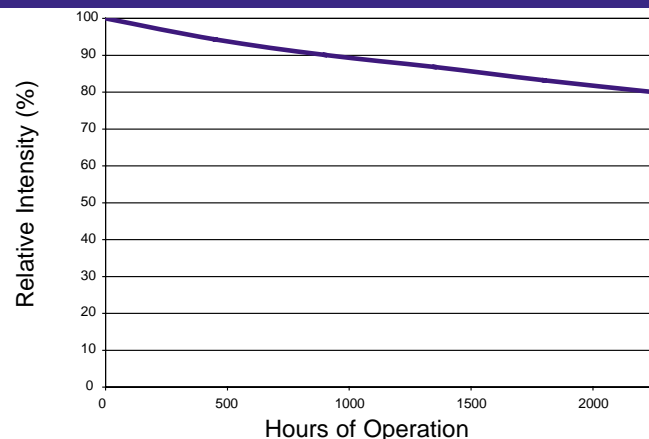
CATHODE (-)
END DOWN

All dimensions are in millimeters.

Spectral Output



Typical Performance Graph



Notes

- Lamp must be operated with cathode end down and anode end up. Inclination of lamp axis to vertical must not exceed 10°.

Part Number References

Used In	Canon FPA3000 (i4, i5, i5+, iW)
Replaces	SUV2001CIL HBO2001W/CIL

PerkinElmer welcomes inquiries about special lamps. We would be pleased to discuss the requirements of your application and the feasibility of designing a lamp specifically suited to your needs.

For more information e-mail us at opto@perkinelmer.com or visit our web site at www.perkinelmer.com/opto.

All values are nominal; specifications subject to change without notice.

USA:
PerkinElmer Optoelectronics
44370 Christy St.
Fremont, CA 94538
Phone: (510) 979-6500
Fax: (510) 687-1140

Europe:
PerkinElmer Optoelectronics GmbH
Wenzel-Jaksch-Str. 31
65199 Wiesbaden
Germany
Phone: +49 611 492 0
Fax: +49 611 492 177

Asia:
PerkinElmer Optoelectronics
47 Ayer Rajah Crescent #06-12
Singapore 139947
Phone: +65 775 2022
Fax: +65 775 1008

