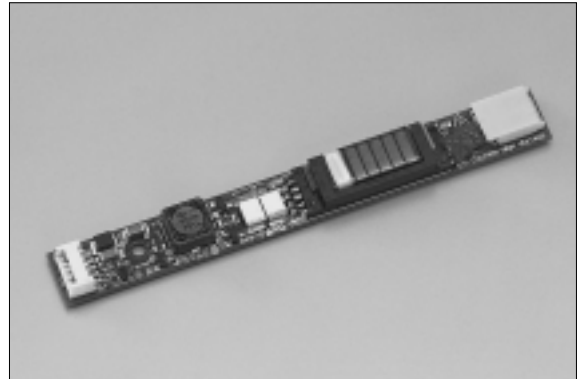
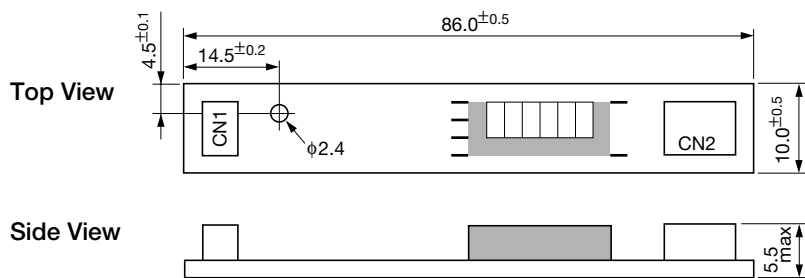


### ■ Features

- Built in On/Off control function
- It's possible to dim with external PWM signal, applying On/Off function.
- Applications: LCD size 7 to 8 inches for monitor  
Suitable Sanken's CCFL: Lamp length 160 to 180mm  
: Exterior Diameter  $\phi 1.8\text{mm}$



### ■ Outline



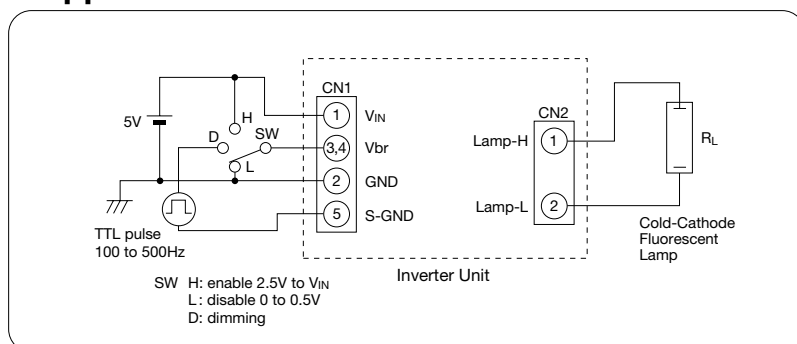
PWB (Printed wiring board): FR-4 or CEM-3 (t=0.8)  
Weight: 5.3g typ

Unit : mm

### ■ Connector terminal number and Function

Connector No.	Terminal No.	Symbol	Function	Connector type name/Manufacturer
CN 1 (Input)	1	V <sub>IN</sub>	DC input voltage	CHP2705-0101/SMK
	2	GND	Power GND	
	3, 4	V <sub>br</sub>	On-Off/dimming control	
	5	S-GND	Signal-GND	
CN 2 (Output)	1	Lamp-H	Output high side	SM02B-BHSS-TB/JST
	2	Lamp-L	Output low side	

## Application



## Absolute maximum ratings

Parameter	Symbol	Ratings	Unit	Remarks
DC input voltage	$V_{IN}$	0 to 8	V	
Control signal voltage	$V_{br}$	0 to 5.5	V	
Output power	$P_L$	2.3	W	
Operating temp.	$T_{opr}$	0 to 60	°C	
Storage temp.	$T_{stg}$	-20 to 80	°C	
Humidity	RH	95	%RH	Maximum wet-bulb temp. 38°C No dew condensation

## Electrical characteristics

Conditions: at  $T_{opr}=25^{\circ}\text{C}$ ,  $V_{IN}=5\text{V}$  (unless otherwise stated)

Parameter	Symbol	Ratings			Unit	Remarks
		min	typ	max		
Input DC voltage	$V_{IN}$	4.75	5	5.25	V	
Input current	$I_{IN}$	—	—	700	mA	$V_{IN}=5\text{V}$
Driving frequency	$f_{sw}$	50	—	60	kHz	$R_L=90\text{k}\Omega$
Output current	$I_L$	—	4.7	—	mArms	$R_L=90\text{k}\Omega$
		—	5.0	—	mArms	$R_L=80\text{k}\Omega$
Dimming control frequency	$f_{PWM}$	100	—	500	Hz	External signal TTL
Output Power	$P_L$	—	2.0	—	W	$R_L=80\text{k}\Omega$
Open voltage	$V_O$	1000	1100	—	Vrms	$V_{IN}=4.75\text{V}$ , $R_L=100\text{M}\Omega$