

S5295B/G/J

FAST RECOVERY RECTIFIERS

PRV : 100 - 600 Volts

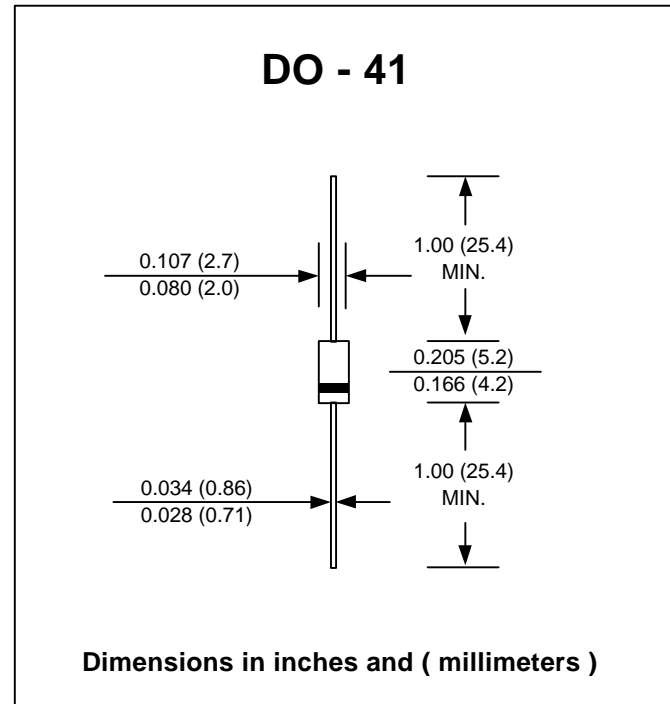
I_o : 0.5 Ampere

FEATURES :

- * High current capability
- * High surge current capability
- * High reliability
- * Low reverse current
- * Low forward voltage drop
- * Fast switching for high efficiency
- * **Pb / RoHS Free**

MECHANICAL DATA :

- * Case : DO-41 Molded plastic
- * Epoxy : UL94V-O rate flame retardant
- * Lead : Axial lead solderable per MIL-STD-202, Method 208 guaranteed
- * Polarity : Color band denotes cathode end
- * Mounting position : Any
- * Weight : 0.339 gram



MAXIMUM RATINGS AND ELECTRICAL CHARACTERISTICS

Rating at 25 °C ambient temperature unless otherwise specified.
 Single phase, half wave, 60 Hz, resistive or inductive load.
 For capacitive load, derate current by 20%.

RATING	SYMBOL	S5295B	S5295G	S5295J	UNIT
Maximum Repetitive Peak Reverse Voltage	V _{RRM}	100	400	600	V
Maximum Reverse Voltage (DC)	V _R	75	300	500	V
Maximum Average Forward Current	I _{F(AV)}	0.5			A
Maximum Peak One Cycle Surge Forward Current (50 Hz, Non-Repetitive)	I _{FSM}	30			A
Maximum Peak Forward Voltage at I _F = 1.0 A	V _F	1.5			V
Maximum Repetitive Peak Reverse Current at V _{RRM}	I _R	10			μA
Maximum Reverse Recovery Time (Note 1)	T _{rr}	1.5			μs
Junction Temperature Range	T _J	- 40 to + 125			°C
Storage Temperature Range	T _{STG}	- 40 to + 125			°C

Notes :

(1) Reverse Recovery Test Condition : I_F = 20 mA, I_R = 1mA

RATING AND CHARACTERISTIC CURVES (S5295B/G/J)

FIG.1 - REVERSE RECOVERY TIME CHARACTERISTIC AND TEST CIRCUIT DIAGRAM

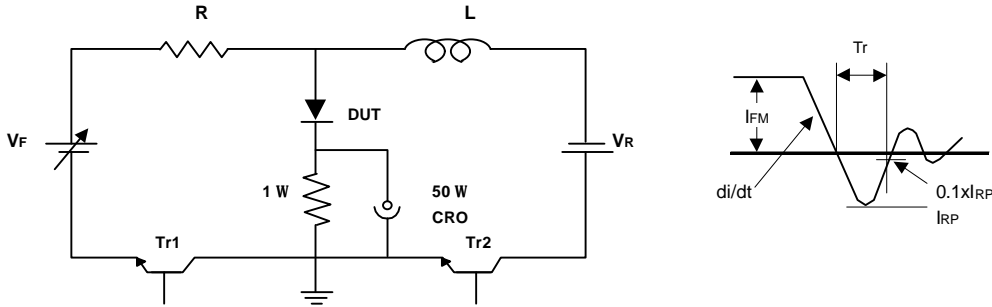


FIG.2 - DERATING CURVE FOR OUTPUT RECTIFIED CURRENT

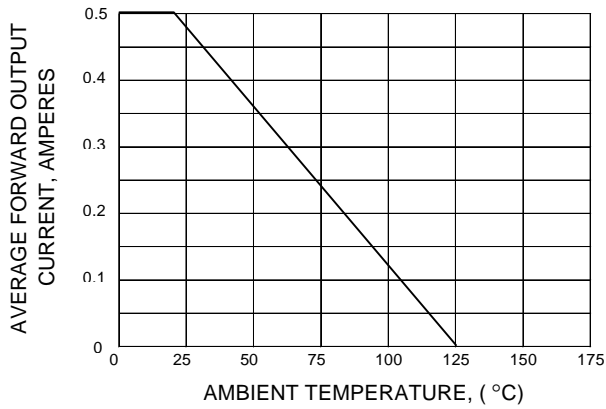


FIG.3 - MAXIMUM NON-REPETITIVE PEAK FORWARD SURGE CURRENT

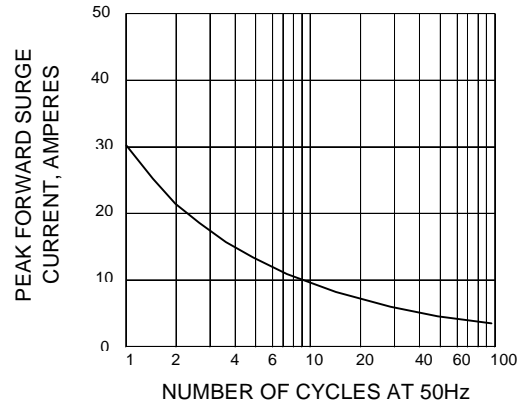


FIG.4 - TYPICAL FORWARD CHARACTERISTICS

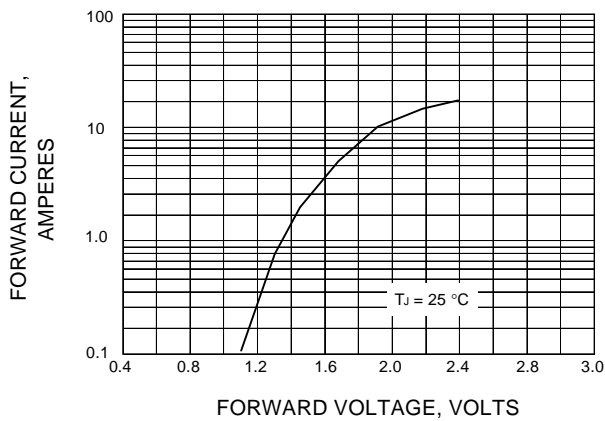


FIG.5 - TYPICAL REVERSE CHARACTERISTICS

