



- **Ideal for European 857.65 MHz Transmitters**
- **Very Low Series Resistance**
- **Quartz Stability**
- **Surface-Mount Ceramic Case with 21 mm² Footprint**
- **Complies with Directive 2002/95/EC (RoHS)**



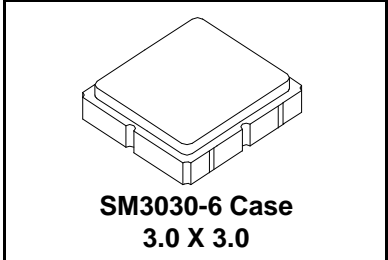
The RO2166E is a true one-port, surface-acoustic-wave (SAW) resonator in a surface-mount ceramic case. It provides reliable, fundamental-mode, quartz frequency stabilization of local oscillators operating at 857.65 MHz. This SAW is designed for 857.65 MHz superhet receivers with 10.7 MHz IF. Applications include remote-control and wireless security receivers operating under ETSI-ETS 300 220 in Europe and under FTZ 17 TR 2100 in Germany.

Absolute Maximum Ratings

CW RF Power Dissipation	+0	dBm
DC Voltage Between Terminals	±12	VDC
Case Temperature	-40 to +125	°C
Operating Temperature Range	-40 to +125	°C
Soldering Temperature (10 seconds / 5 cycles max.)	260	°C

RO2166E
RO2166E-1
RO2166E-2

857.65 MHz
SAW
Resonator



Electrical Characteristics

Characteristic		Sym	Notes	Minimum	Typical	Maximum	Units	
Frequency (+25 °C)	Nominal Frequency	RO2166E RO2166E-1 RO2166E-2	f _C	2, 3, 4, 5	857.500		857.800	MHz
					857.550		857.750	
					857.575		857.725	
	Tolerance from 857.65 MHz	RO2166E RO2166E-1 RO2166E-2	Δf _C			±150	kHz	
						±100		
						±75		
Insertion Loss		IL	2, 5, 6		0.9	1.6	dB	
Quality Factor	Unloaded Q	Q _U			5607			
	50 Ω Loaded Q	Q _L	5, 6, 7		310			
Temperature Stability	Turnover Temperature	T _O		15	25	35	°C	
	Turnover Frequency	f _O	6, 7, 8		f _C		kHz	
	Frequency Temperature Coefficient	FTC			0.032		ppm/°C ²	
Frequency Aging	Absolute Value during the First Year	fA	1		10		ppm/yr	
DC Insulation Resistance between Any Two Terminals			5	1.0			MΩ	
RF Equivalent RLC Model	Motional Resistance	R _M	5, 6, 7, 9		5.9	17	Ω	
	Motional Inductance	L _M			6.1		μH	
	Motional Capacitance	C _M			5.6		fF	
	Transducer Static Capacitance	C _O	5, 6, 9		1.64		pF	
Test Fixture Shunt Inductance		L _{TEST}	2, 7		21.00		nH	
Lid Symbolization (in addition to Lot and/or Date Codes)		514 / YWWS						
Standard Reel Quantity	Reel Size 7 Inch		10	500 Pieces / Reel				
	Reel Size 13 Inch			3000 Pieces / Reel				

CAUTION: Electrostatic Sensitive Device. Observe precautions for handling.

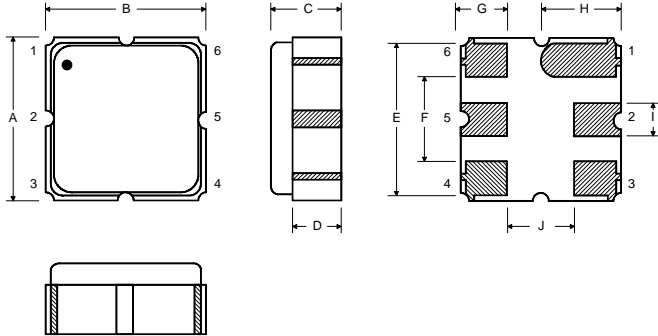
Notes:

- Frequency aging is the change in f_C with time and is specified at +65°C or less. Aging may exceed the specification for prolonged temperatures above +65°C. Typically, aging is greatest the first year after manufacture, decreasing in subsequent years.
- The center frequency, f_C, is measured at the minimum insertion loss point, IL_{MIN}, with the resonator in the 50 Ω test system (VSWR ≤ 1.2:1). The shunt inductance, L_{TEST}, is tuned for parallel resonance with C_O at f_C. Typically, f_{OS-CILLATOR} or f_{TRANSMITTER} is approximately equal to the resonator f_C.
- One or more of the following United States patents apply: 4,454,488 and 4,616,197.
- Typically, equipment utilizing this device requires emissions testing and government approval, which is the responsibility of the equipment manufacturer.
- Unless noted otherwise, case temperature T_C = +25°C±2°C.
- The design, manufacturing process, and specifications of this device are subject to change without notice.
- Derived mathematically from one or more of the following directly measured parameters: f_C, IL, 3 dB bandwidth, f_C versus T_C, and C_O.
- Turnover temperature, T_O, is the temperature of maximum (or turnover) frequency, f_O. The nominal frequency at any case temperature, T_C, may be calculated from: f = f_O [1 - FTC (T_O - T_C)²]. Typically oscillator T_O is approximately equal to the specified resonator T_O.
- This equivalent RLC model approximates resonator performance near the resonant frequency and is provided for reference only. The capacitance C_O is the static (nonmotional) capacitance between the two terminals measured at low frequency (10 MHz) with a capacitance meter. The measurement includes parasitic capacitance with "NC" pads unconnected. Case parasitic capacitance is approximately 0.05 pF. Transducer parallel capacitance can be calculated as: C_P = C_O - 0.05 pF.
- Tape and Reel Standard for ANSI / EIA 481.
- This product complies with directive 2002/95/EC of the European Parliament and of the Council of 27 January 2003 on the restriction of the use of certain hazardous substances in electrical and electronic equipment.

Electrical Connections

The SAW resonator is bidirectional and may be installed with either orientation. The two terminals are interchangeable and unnumbered. The callout NC indicates no internal connection. The NC pads assist with mechanical positioning and stability. External grounding of the NC pads is recommended to help reduce parasitic capacitance in the circuit.

Pin	Connection
1	NC
2	Terminal
3	NC
4	NC
5	Terminal
6	NC



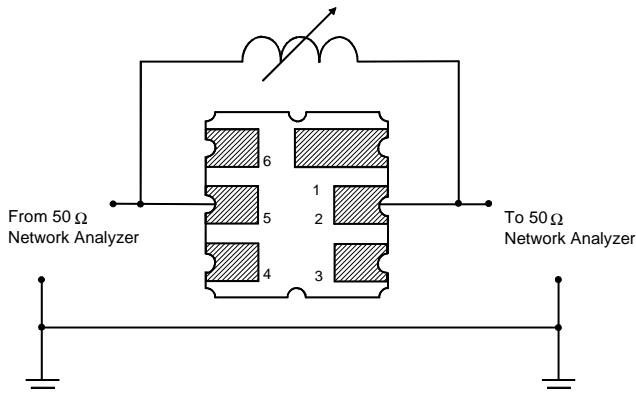
Case Dimensions

Dimension	mm			Inches		
	Min	Nom	Max	Min	Nom	Max
A	2.87	3.0	3.13	0.113	0.118	0.123
B	2.87	3.0	3.13	0.113	0.118	0.123
C	1.12	1.25	1.38	0.044	0.049	0.054
D	0.77	0.90	1.03	0.030	0.035	0.040
E	2.67	2.80	2.93	0.105	0.110	0.115
F	1.47	1.6	1.73	0.058	0.063	0.068
G	0.72	0.85	0.98	0.028	0.033	0.038
H	1.37	1.5	1.63	0.054	0.059	0.064
I	0.47	0.60	0.73	0.019	0.024	0.029
J	1.17	1.30	1.43	0.046	0.051	0.056

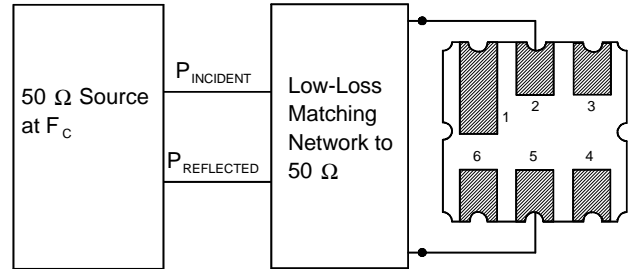
Typical Test Circuit

The test circuit inductor, L_{TEST} , is tuned to resonate with the static capacitance, C_O , at F_C .

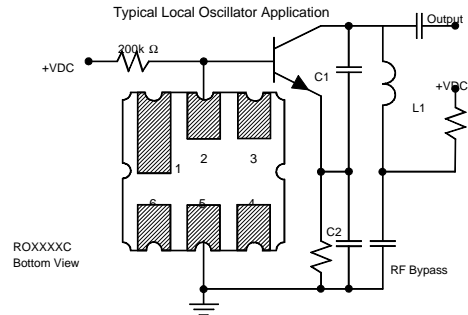
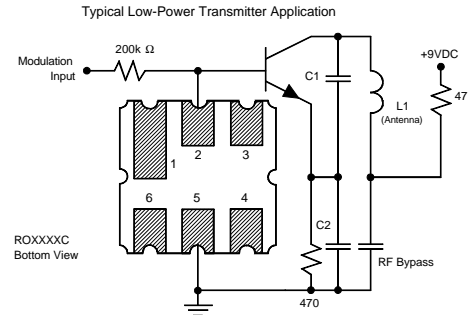
Electrical Test



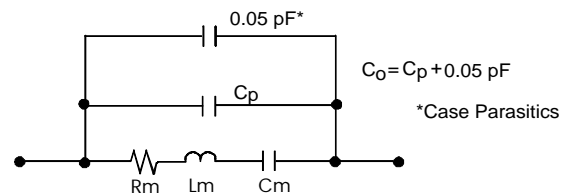
Power Test



Typical Application Circuits



Equivalent LC Model



Temperature Characteristics

The curve shown on the right accounts for resonator contribution only and does not include LC component temperature contributions.

