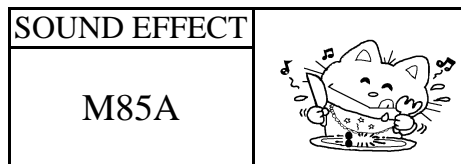




## RETRIGGER 8 聲 5 燈 IC



### FEATURES 功能敘述

- 8 different sounds in one key.
- RD : Randomly output.
- K9-OFF : K9 (SCAN) disabled.
- L1→L5 LED.

OPT	MODE	K	M85A/AR
X	Retrigger	K1	RIFLE
VDD	NON-Retrigger	K2	RIFLE(ECHO)
		K3	TV GAME
		K4	DUAL TONE
		K5	BOMBING 1
		K6	BOMBING 2
		K7	GUN 1
		K8	GUN 2
		K9	SCAN

### APPLICATION 產品應用

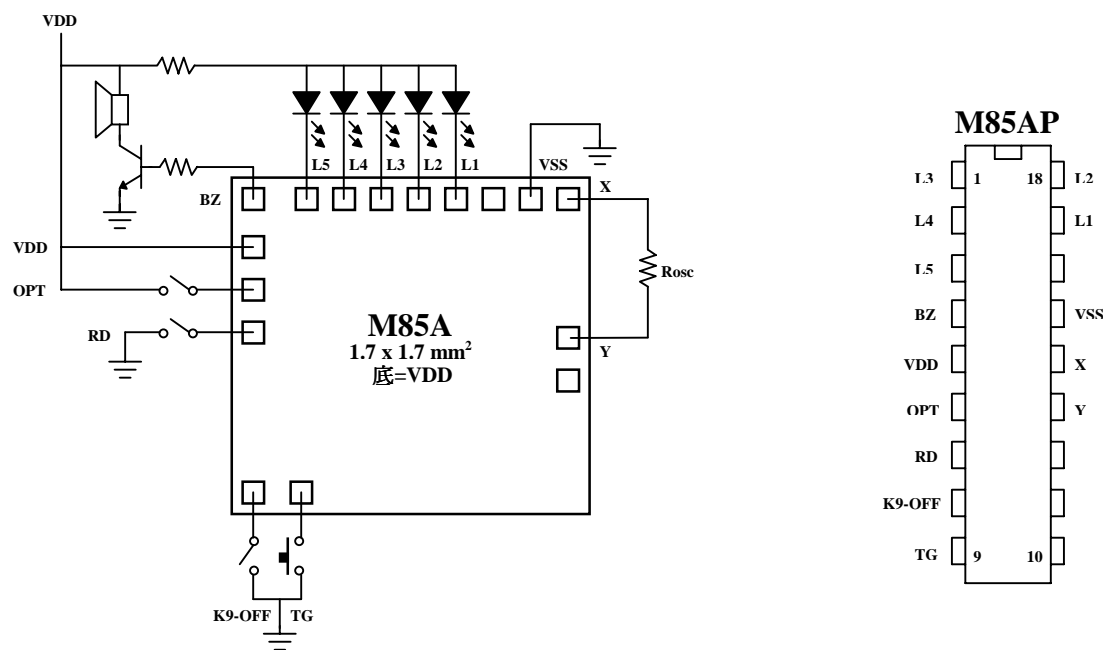
- Toys, TV/Arcade game etc.

### ELECTRICAL CHARACTERISTICS 電氣規格

( @  $V_{DD}=3V$  unless otherwise specified )

Characteristics	Sym.	Min.	Typ.	Max.	Unit	REMARKS
工作電壓 Operating Voltage	$V_{DD}$	—	3	3.5	V	
工作電流 Operating Current	$I_{OP}$	—	0.1	0.5	mA	No load
靜態電流 Quiescent Current	$I_{SB}$	—	1	5	$\mu A$	
推動電流 BZ Driving Current	$I_O$	1	—	—	mA	@ $V_{DS}=1V$
推動電流 LO Driving Current	$I_{OL}$	6	—	—	mA	@ $V_{DS}=1.2V$
振盪頻率 Oscillator Frequency	$F_{OSC}$	—	128	—	KHz	External $\pm 30\%$
工作溫度 Operating Temperature	Temp.	0	25	60	$^{\circ}C$	

### APPLICATION DIAGRAM 參考電路圖



\*All specs and applications shown above subject to change without prior notice.

( 以上電路及規格僅供參考,本公司得逕行修正 )



# RETRIGGER

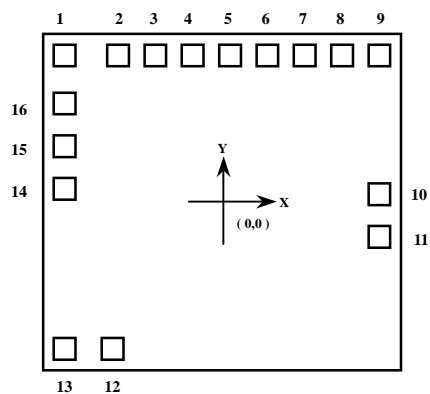
## 8 聲 5 燈 IC

SOUND EFFECT

M85A



### ASSIGNMENT & POSITION



UNIT : um

No.	NAME	X	Y
1	OUT	-662.25	646.5
2	L5	-411.75	646.5
3	L4	-261.75	646.5
4	L3	-111.75	646.5
5	L2	38.25	646.5
6	L1	188.25	646.5
7	TEST	333	646.5
8	VSS	501.75	646.5
9	OSC1	663.75	646.5
10	OSC2	663.75	90
11	T2	663.75	-50.25
12	TRIG	-495	645
13	KSE	-662.25	645
14	RANDOM	-662.25	159.75
15	OPT	-662.25	332.25
16	VDD	-662.25	496.5

\* CHIP SIZE ~ 1.7 x 1.7 mm<sup>2</sup>

\* IC substrate should be connected to VDD in PCB (PCB 上 IC 必須接 VDD)