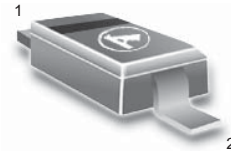


# HIGH VOLTAGE SWITCHING DIODE

## LBAS21HT1

- Device Marking: JS



CASE 477, STYLE 1  
SOD-323

### ORDERING INFORMATION

Device	Package	Shipping
LBAS21HT1	SOD-323	3000/Tape & Reel

Preferred: devices are recommended choices for future use and best overall value.

### MARKING DIAGRAM



JS= Device Code

### MAXIMUM RATINGS

Rating	Symbol	Value	Unit
Continuous Reverse Voltage	$V_R$	250	Vdc
Peak Forward Current	$I_F$	200	mAdc
Peak Forward Surge Current	$I_{FM(surge)}$	625	mAdc

### THERMAL CHARACTERISTICS

Characteristic	Symbol	Max	Unit
Total Device Dissipation FR-5 Board,* $T_A = 25^\circ\text{C}$	$P_D$	200	mW
Derate above $25^\circ\text{C}$		1.57	mW/ $^\circ\text{C}$
Thermal Resistance Junction to Ambient	$R_{\theta JA}$	635	$^\circ\text{C/W}$
Junction and Storage Temperature Range	$T_J, T_{stg}$	-55 to +150	$^\circ\text{C}$

\*FR-5 Minimum Pad

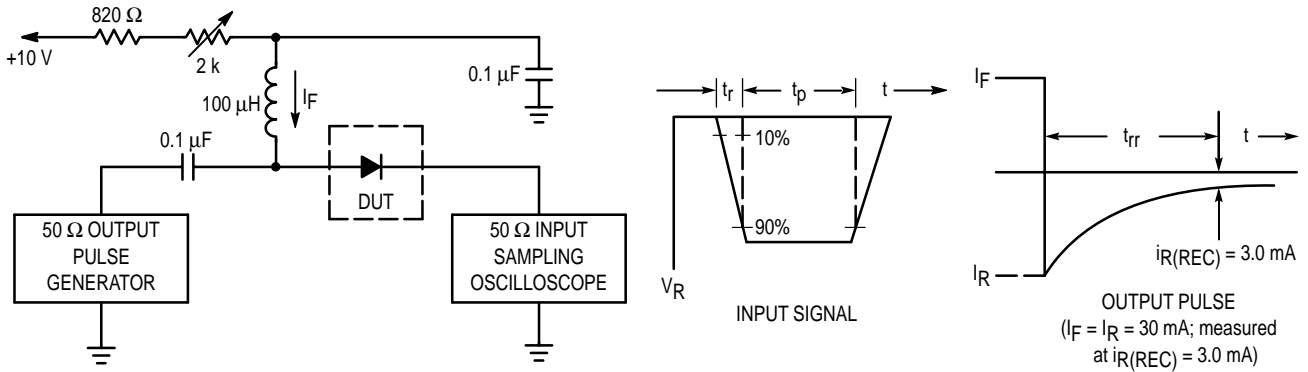
### ELECTRICAL CHARACTERISTICS ( $T_A = 25^\circ\text{C}$ unless otherwise noted)

Characteristic	Symbol	Min	Max	Unit
----------------	--------	-----	-----	------

### OFF CHARACTERISTICS

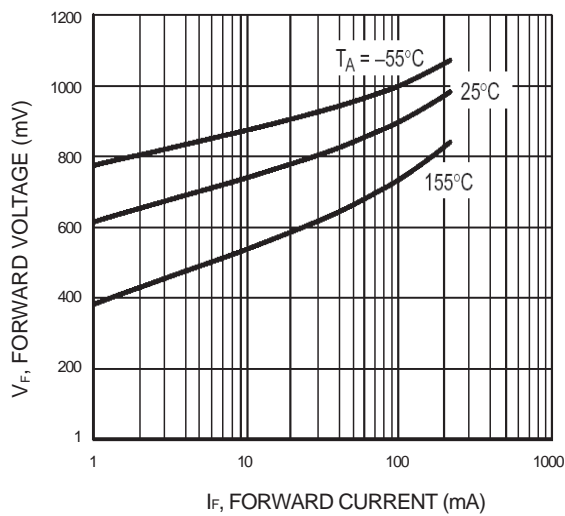
Reverse Voltage Leakage Current ( $V_R = 200$ Vdc) ( $V_R = 200$ Vdc, $T_J = 150^\circ\text{C}$ )	$I_R$	-	1.0 100	$\mu\text{Adc}$
Reverse Breakdown Voltage ( $I_{BR} = 100$ $\mu\text{Adc}$ )	$V_{(BR)}$	250	-	Vdc
Forward Voltage ( $I_F = 100$ mAdc) ( $I_F = 200$ mAdc)	$V_F$	-	1000 1250	mV
Diode Capacitance ( $V_R = 0$ , $f = 1.0$ MHz)	$C_D$	-	5.0	pF
Reverse Recovery Time ( $I_F = I_R = 30$ mAdc, $R_L = 100$ $\Omega$ )	$t_{rr}$	-	50	ns

**LBAS21HT1**

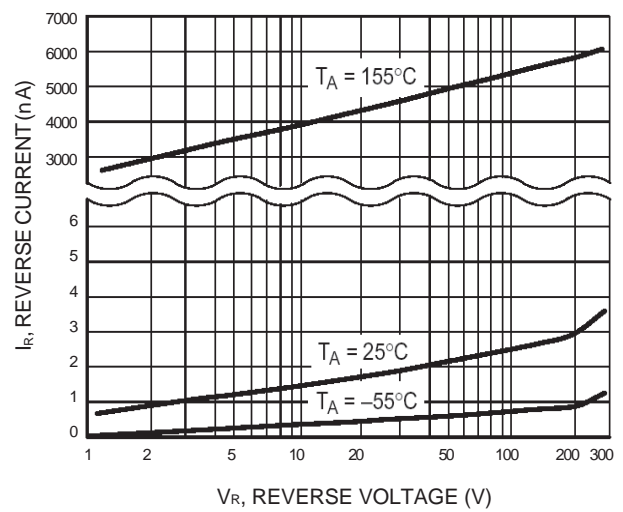


- Notes: 1. A 2.0 kΩ variable resistor adjusted for a Forward Current ( $I_F$ ) of 30 mA.  
 2. Input pulse is adjusted so  $I_{R(\text{peak})}$  is equal to 30 mA.  
 3.  $t_p \gg t_{rr}$

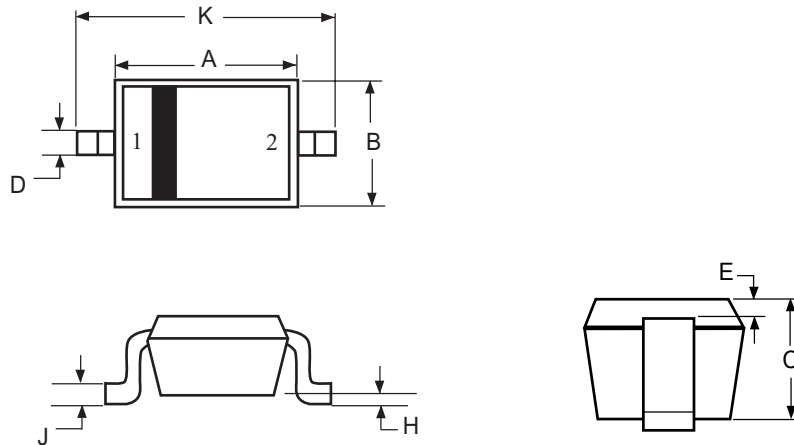
**Figure 1. Recovery Time Equivalent Test Circuit**



**Figure 1. Forward Voltage**



**Figure 2. Reverse Leakage**

**LBAS21HT1**
**SOD-323**


DIN	MILLIMETERS		INCHES	
	MIN	MAX	MIN	MAX
A	1.60	1.80	0.063	0.071
B	1.15	1.35	0.045	0.053
C	0.80	1.00	0.031	0.039
D	0.25	0.40	0.010	0.016
E	0.15 REF		0.006 REF	
H	0.00	0.10	0.0000	0.004
J	0.089	0.177	0.0035	0.0070
K	2.30	2.7	0.091	0.106

**NOTES:**

1. DIMENSIONING AND TOLERANCING PER ANSIS Y14.5M, 1982.
2. CONTROLLING DIMENSION: MILLIMETERS
3. LEAD THICKNESS SPECIFIED PER L/F DRAWING WITH SOLDER PLATING.
4. 477-01 OBSOLETE, NEW STANDARD 477-22.

PIN 1: CATHODE  
 2: ANODE