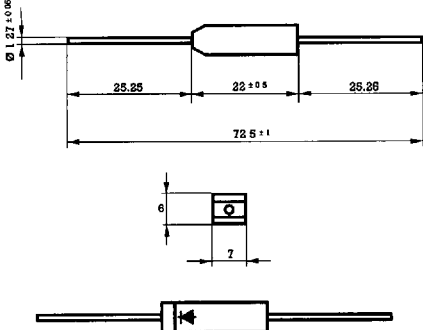


Dimensions in mm.	Plastic Case	Voltage 7.000 - 12.000 V.
		Current 350 mA
		<ul style="list-style-type: none"> • Low cost • Diffused junction • High current capability • The plastic material carries U/L recognition 94 V-0 • Terminals: Axial Leads

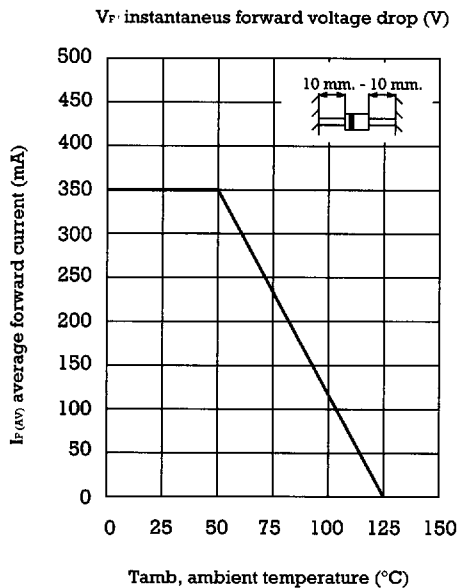
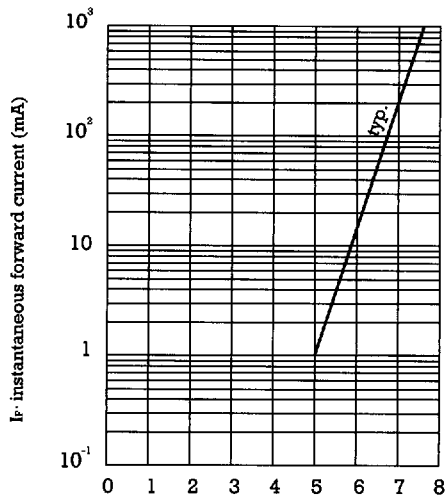
Maximum Ratings, according to IEC publication No. 134

		HVR3-7	HVR3-9	HVR3-12
V_{RRM}	Peak recurrent reverse voltage (V)	7.000	9.000	12.000
$I_{F(AV)}$	Forward current at $T_{amb} = 50^\circ\text{C}$	350 mA		
I_{FRM}	Recurrent peak forward current	10 A		
I_{FSM}	8.3 ms. peak forward surge current	50 A		
T_j	Max. operating temperature	+ 125°C		
T_{stg}	Storage temperature range	- 20 + 125 °C		

Electrical Characteristics at $T_{amb} = 25^\circ\text{C}$

V_F	Max. forward voltage drop at $I_F = 350\text{ mA}$	8.5 V
I_R	Max. reverse current at V_{RRM}	5 μA

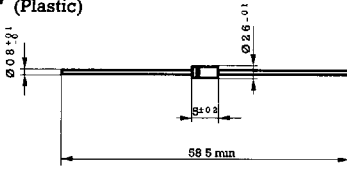
FAGOR ELECTRONICS



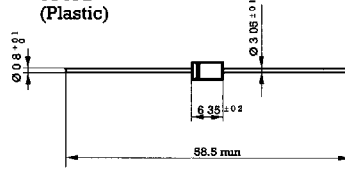
Package Outlines

Dimensions in mm.

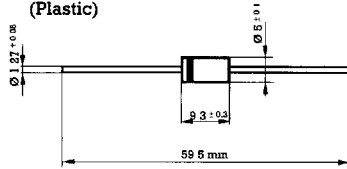
1 DO-41
(Plastic)



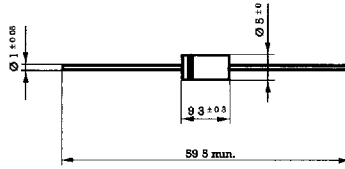
2 DO-15
F-126
58 A 2
(Plastic)



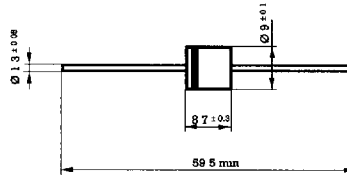
3 DO-27 A
DO-201 AD
(Plastic)



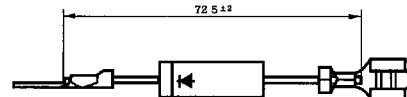
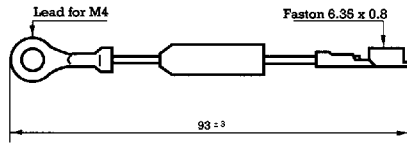
4 DO-201 AE
(Plastic)



5 P-6
(Plastic)

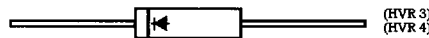
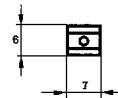
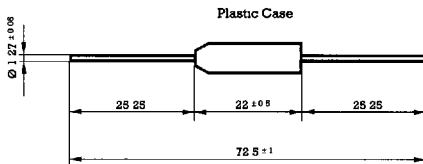


7

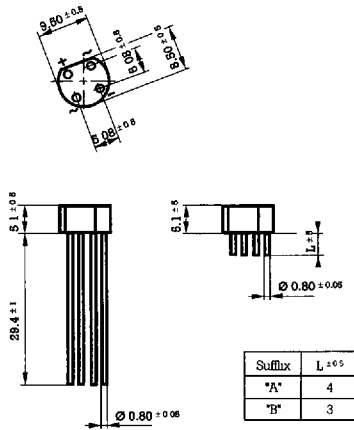


Suffix E1

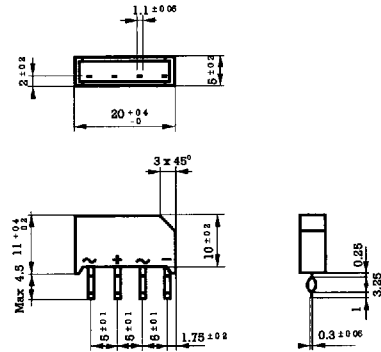
6



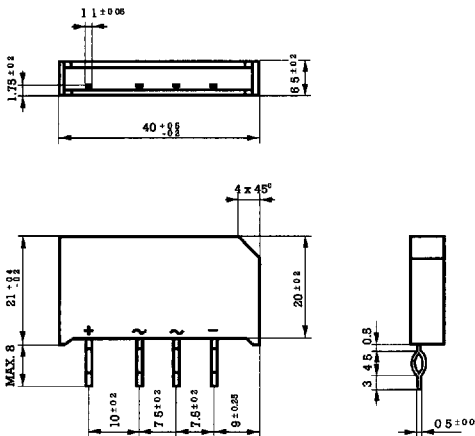
8



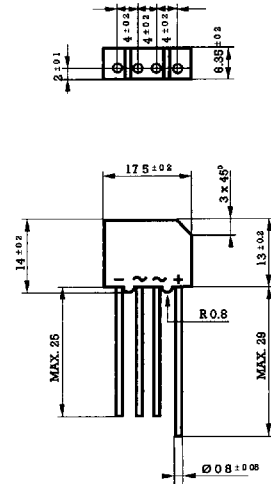
9



10



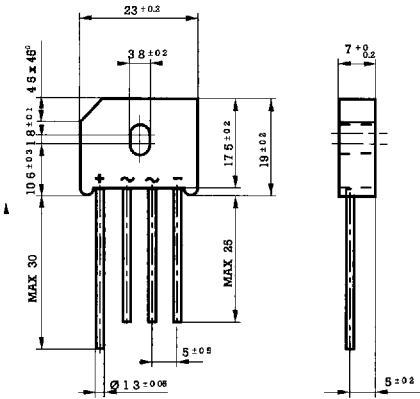
11



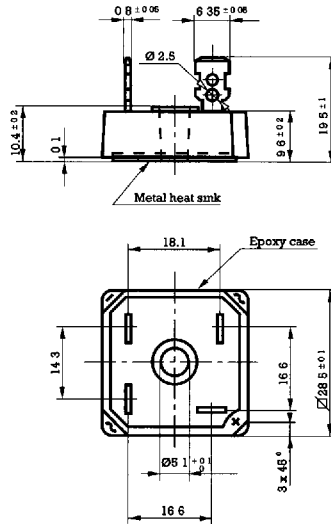
Package Outlines

Dimensions in mm.

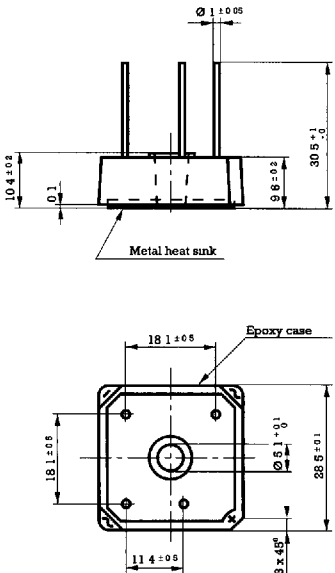
12



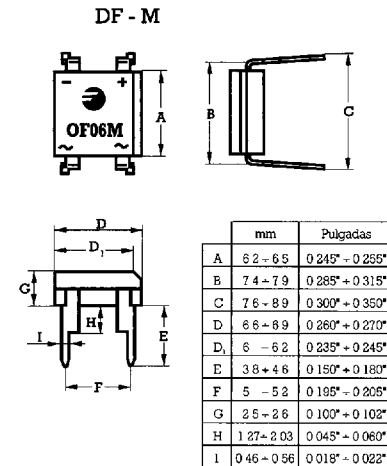
13



14



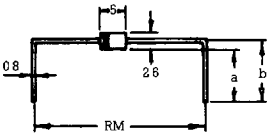
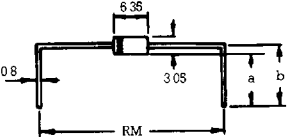
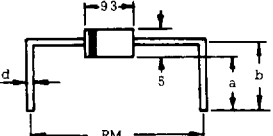
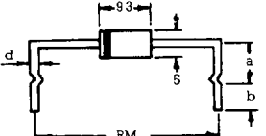
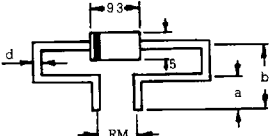
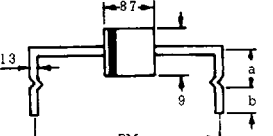
15



Standard lead forming specifications

Dimensions in mm.

Plastic Cases

DO-41 	Type	Dimensions				
		a	b	RM		
		C2-3	3 ± 0.5	4.3 ± 0.5	10 ± 0.5	
		C2-5	10 ± 0.5	11.3 ± 0.5	10 ± 0.5	
C2-8	4 ± 0.5	5.3 ± 0.5	10 ± 0.5			
DO-15 	Type	Dimensions				
		a	b	RM		
		C2-3	3 ± 0.5	4.5 ± 0.5	10 ± 0.5	
		C2-5	10 ± 0.5	11.5 ± 0.5	10 ± 0.5	
C2-8	4 ± 0.5	5.5 ± 0.5	10 ± 0.5			
DO-201AD DO-27A (d = 1.27) 	DO-201AE (d = 1)	Type	Dimensions			
			a	b	RM	
			C2-1	3.5 ± 0.5	6 ± 0.5	15 ± 0.5
			C2-2	4 ± 0.5	6.5 ± 0.5	15 ± 0.5
			C2-4	7.5 ± 0.3	10 ± 0.3	17.8 ± 0.15
			C2-6	3.5 ± 0.5	6 ± 0.5	17.5 ± 0.5
			C2-7	4.5 ± 0.5	7 ± 0.5	21 ± 0.5
			C2-11	4.5 ± 0.5	7 ± 0.5	17.5 ± 0.5
			C2-12	12.5 ± 0.5	15 ± 0.5	17.5 ± 0.5
			C2-13	16 ± 0.5	18.5 ± 0.5	15.2 ± 0.5
			C2-14	7.5 ± 0.5	10 ± 0.5	15 ± 0.5
			C2-17	4 ± 0.5	8.5 ± 0.5	20 ± 0.5
			DO-201AD DO-27A (d = 1.27) 	DO-201AE (d = 1)	Type	Dimensions
a	b	RM				
C6-1	10 ± 0.5	5 ± 0.5				15.2 ± 0.5
C6-2	10 ± 0.5	5 ± 0.5				17.5 ± 0.5
C6-3	7 ± 0.5	5 ± 0.5				21 ± 0.5
C6-4	13.5 ± 0.5	5 ± 0.5				15.2 ± 0.5
C6-5	10 ± 0.5	5 ± 0.5	20 ± 0.5			
DO-201AD DO-27A (d = 1.27) 	DO-201AE (d = 1)	Type	Dimensions			
			a	b	RM	
C4-2	4.5 ± 0.3	10.5 ± 0.3	7.5 ± 0.5			
P-6 	Type	Dimensions				
		a	b	RM		
		C6-1	10 ± 0.5	5 ± 0.5	15.2 ± 0.5	
		C6-2	10 ± 0.5	5 ± 0.5	17.5 ± 0.5	
		C6-3	7 ± 0.5	5 ± 0.5	21 ± 0.5	
C6-4	13.5 ± 0.5	5 ± 0.5	15.2 ± 0.5			