

All the technical data and information contained herein are subject to change without notice.

P/N	ESLB-S540A	DATE.	'04- 2- 4	
DWN.	M.Uchida	DATA-No.	2MT43485	1

2012 Size

Chip Band Pass Filter for W-LAN

ESLB-S540A

Ver.A

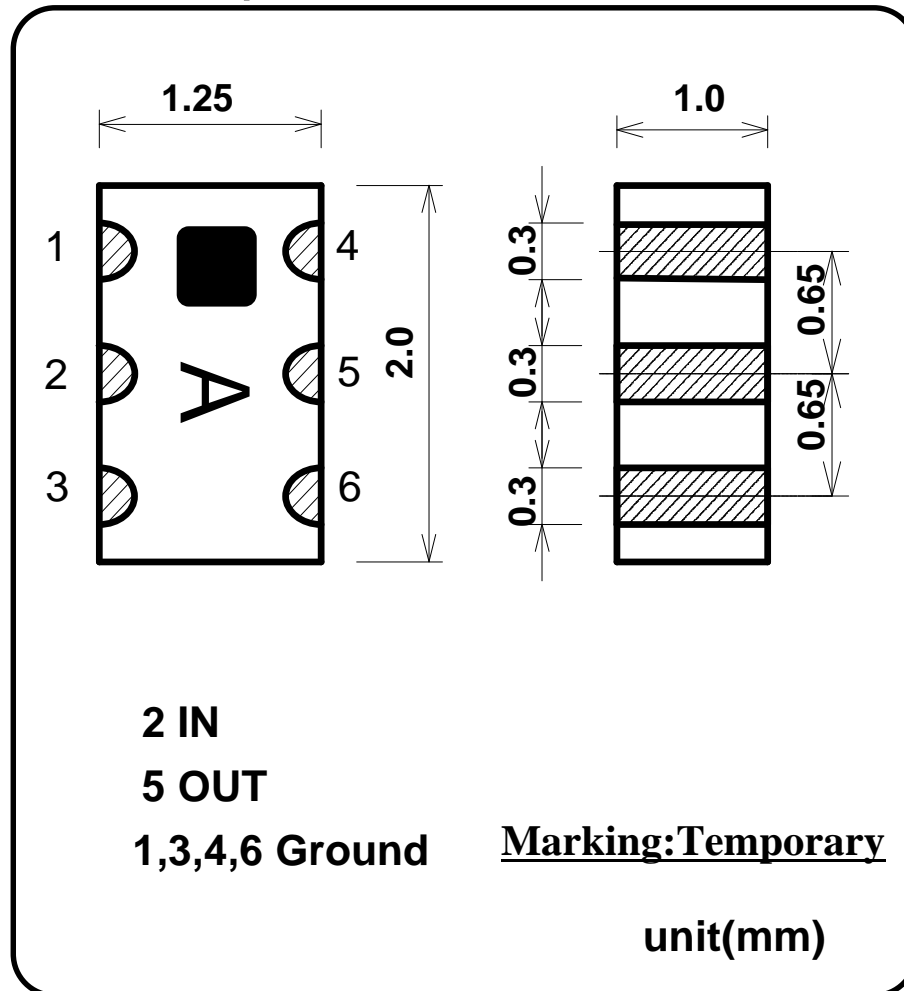
CONFIDENTIAL

The contents of this document is the property of Hitachi Metals Ltd. and may not be communicated to any other party in any form without the prior written contents of Hitachi Metals Ltd..



P/N	ESLB-S540A	DATE.	'04- 2- 4
DWN.	M.Uchida	DATA-No.	2MT43485

Shape & Size

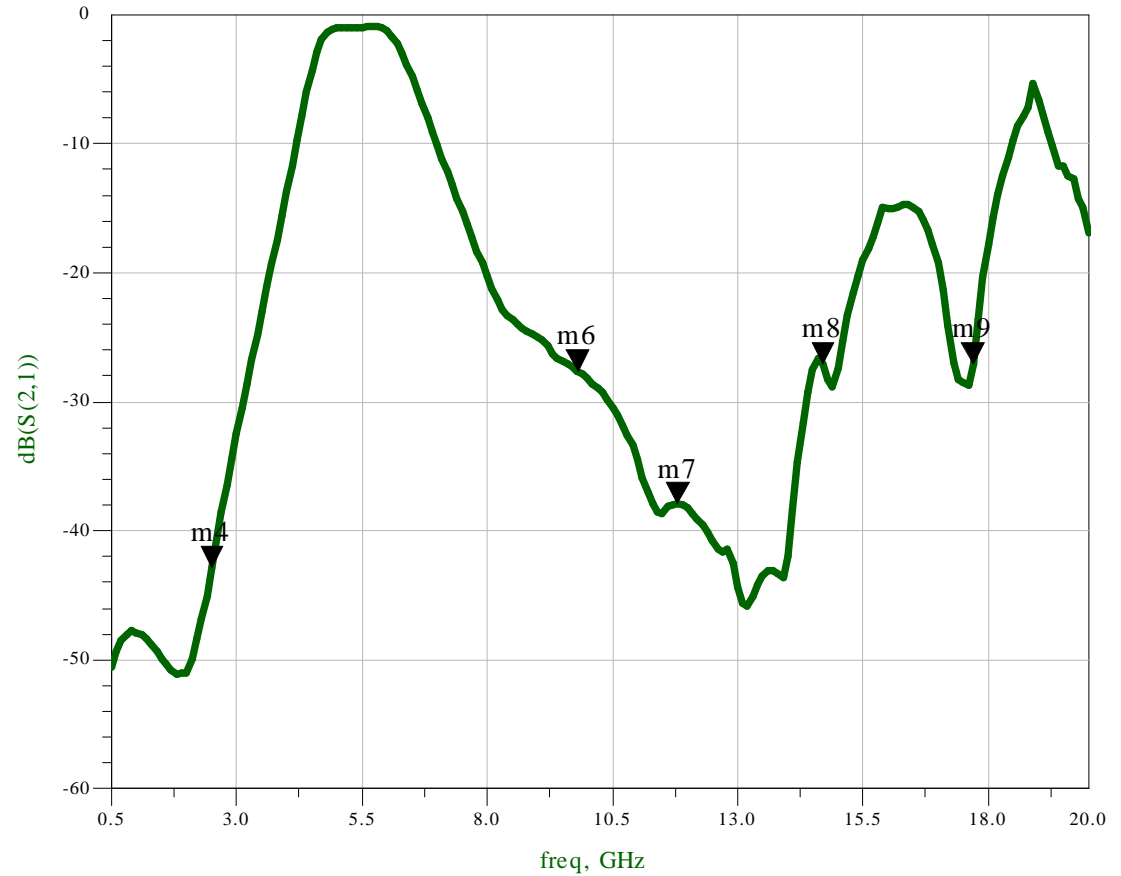
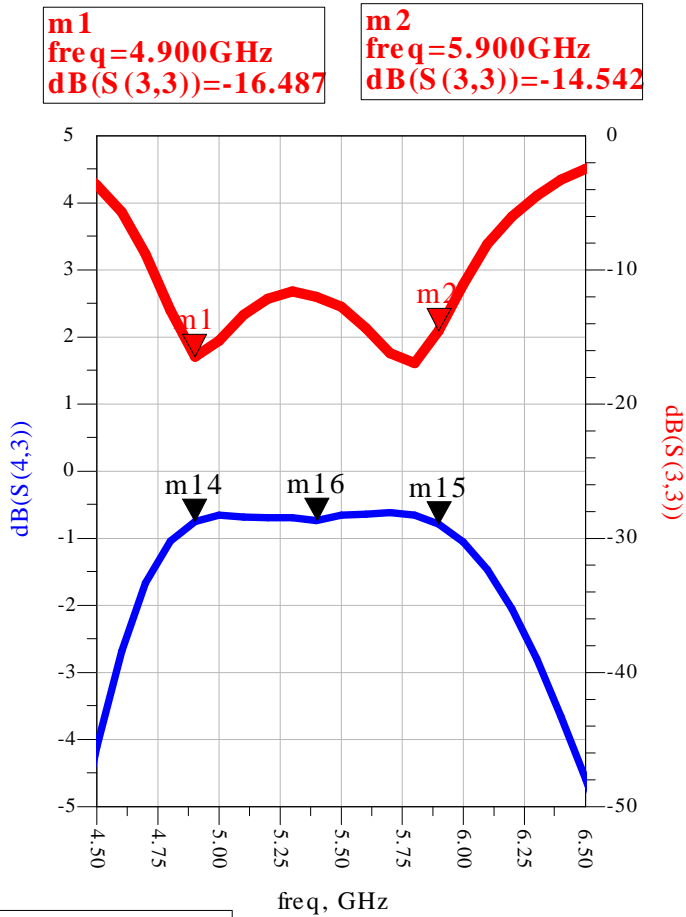


Specifications(Temporary)

Parameter	Unit	
Center Frequency(f_0)	MHz	5400
Passband Width	MHz	$f_0 \pm 500$
Insertion Loss (at 25 deg.C)	dB	1.4 max
Insertion Loss (at -35 to +85 deg.C)	dB	1.5 max
Ripple in passband	dB	0.3 min
Input Ret.Loss	dB	10 min
Attenuation1 (at DC-2.5GHz)	dB	25 min
Attenuation2 (at 9.8-11.8GHz)	dB	23 min
Attenuation3 (at 14.7-17.7GHz)	dB	10 min
Characteristic Impedance	Ohm	50
Handling Power	W	0.5 max
Operating Temperature	deg.C	-35 to +85

P/N	ESLB-S540A	DATE.	'04- 2- 4
DWN.	M.Uchida	DATA-No.	2MT43485

ESLB-S540A Ver.A Sample DATA



m14
freq=4.900GHz
dB(S(4,3))=-0.751

m15
freq=5.900GHz
dB(S(4,3))=-0.786

m16
freq=5.400GHz
dB(S(4,3))=-0.735

m4
freq=2.500GHz
dB(S(2,1))=-42.863

m6
freq=9.800GHz
dB(S(2,1))=-27.588

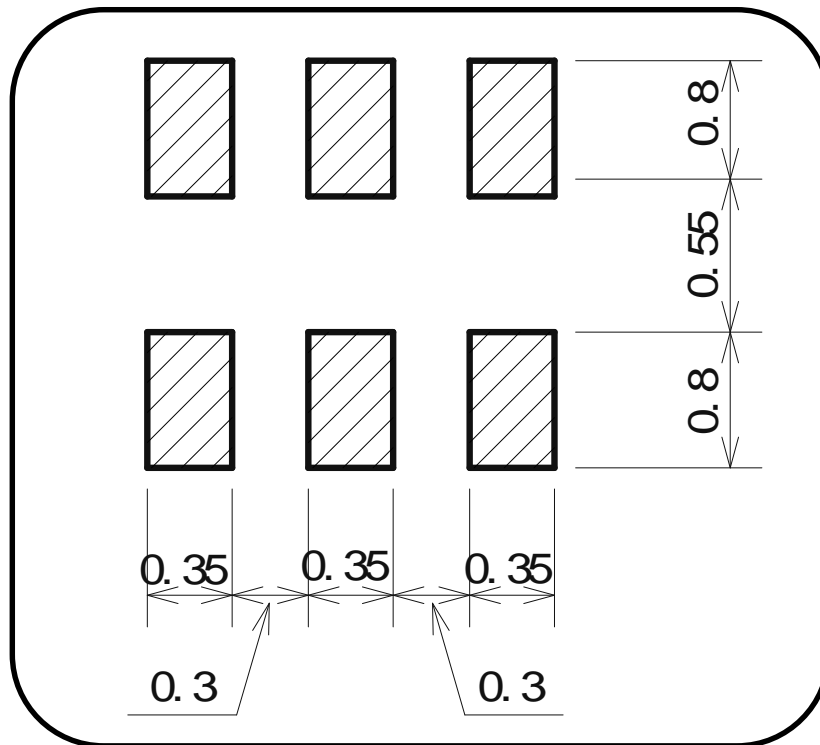
m7
freq=11.80GHz
dB(S(2,1))=-37.928

m8
freq=14.70GHz
dB(S(2,1))=-27.038

m9
freq=17.70GHz
dB(S(2,1))=-27.058

P/N	ESLB-S540A	DATE.	'04- 2- 4
DWN.	M.Uchida	DATA-No.	2MT43485

Foot Pattern



Foot Pattern Example

