

<TENTATIVE>

4mm SQUARE THIN TYPE ISOLATOR

MODEL ESI-4AG [] 1.441 G 01 - T

(1) (2) (3) (4) (5) (6)

(1) Series ESI-4AG ; 1.6 +/-0.1mm Height

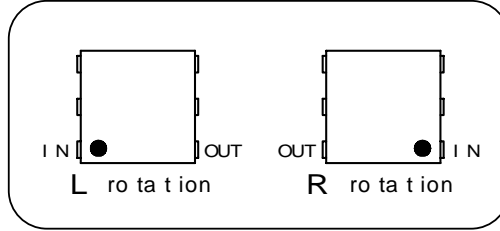
(2) Rotating Direction (R or L)

(3) Center Frequency

(4) G ; GHz

(5) Control No.

(6) T ; Taping
Blank ; Bulk



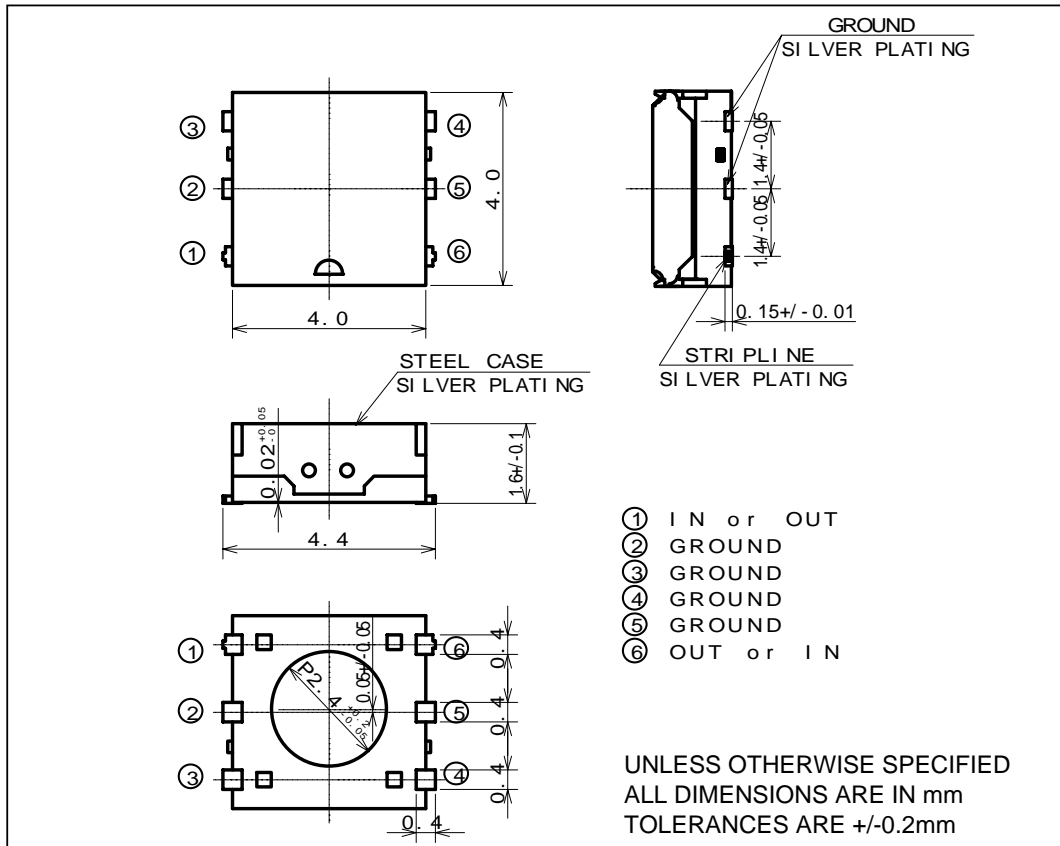
Specification

Frequency (GHz)	Ins. Loss Max. (dB)	Isolation Min. (dB)	V.S.W.R. Max.	Attenuation		Handling Power Max. (W)	Reflection Power Max. (W)
				at 2f Min. (dB)	at 3f Min. (dB)		
1.429-1.453	0.50	15	1.5	17	20	5.0	1.0

Operating Temperature(deg.C) ; -35 to +85

Impedance ; 50 ohms Typ.

Shape & Size



TAE815

Note) This is tentative specifications under development.

There is some possibility which the specifications might be modified including mechanical dimensions.

