

一般整流用ダイオード

GENERAL USE RECTIFIER DIODE

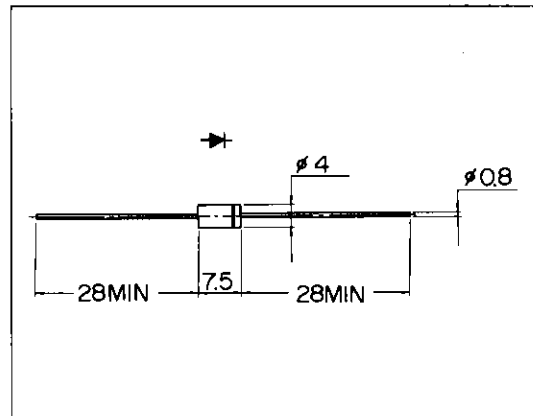
■特長：Features

- サージ電流が高い High surge current
- 高信頼性 High reliability

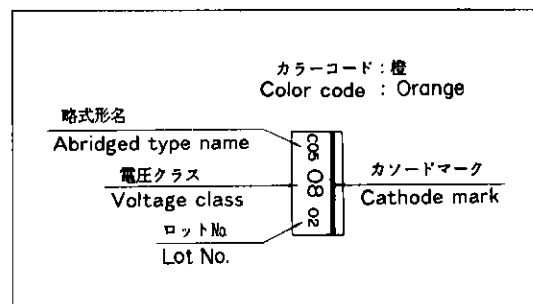
■用途：Applications

- 電源整流
General purpose rectifier applications

■外形寸法：Outline Drawings



■表示：Marking



■定格と特性：Maximum Ratings and Characteristics

●絶対最大定格：Absolute Maximum Ratings

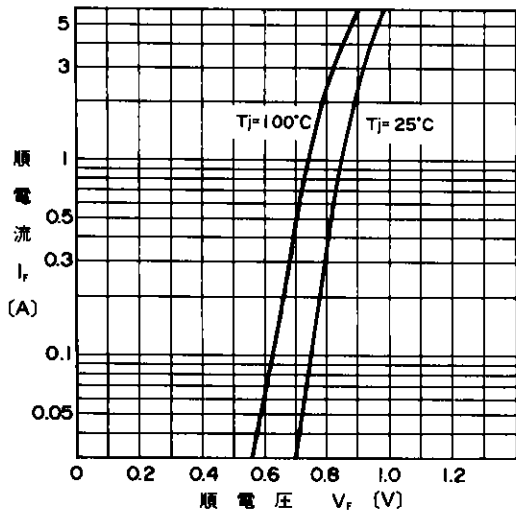
| Items | Symbols | Conditions | Ratings | | Units |
|---|-------------|---|------------|-----|------------------|
| | | | -06 | -08 | |
| ピーク繰り返し逆電圧 Repetitive Peak Reverse Voltage | V_{RRM} | | 600 | 800 | V |
| 平均順電流 Average Forward Current | $I_{F(AV)}$ | 抵抗負荷 Resistive Load $T_a = 60^\circ\text{C}$ | 1.2 | | A |
| サージ電流 Surge Current | I_{FSM} | 正弦波 Sine Wave 10ms 無負荷状態より | 100 | | A |
| 接合温度 Operating Junction Temperature | T_j | | -40 ~ +140 | | $^\circ\text{C}$ |
| 保存温度 Storage Temperature | T_{slg} | | -40 ~ +140 | | $^\circ\text{C}$ |

●電気的特性(特に指定がない限り周囲温度 $T_a = 25^\circ\text{C}$ とする)

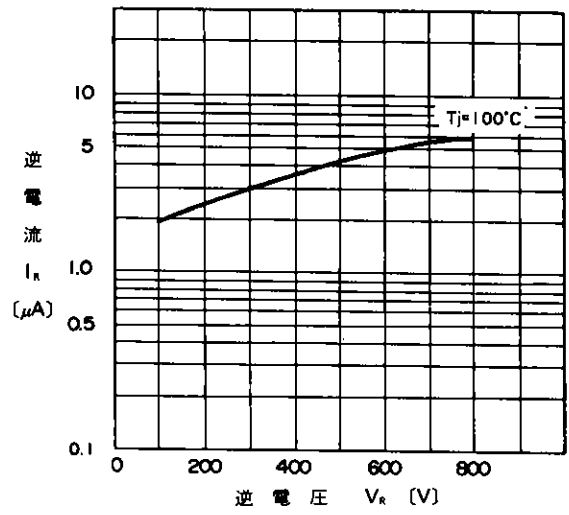
Electrical Characteristics ($T_a = 25^\circ\text{C}$ Unless otherwise specified)

| Items | Symbols | Conditions | Max. | Units |
|-----------------------------|-----------|---|------|---------------|
| 順電圧 Forward Voltage Drop | V_{FM} | $T_j = 25^\circ\text{C}$ $I_{FM} = 4.0\text{A}$ | 1.0 | V |
| 逆電流 Reverse Current | I_{RRM} | $T_j = 25^\circ\text{C}$ $V_R = V_{RRM}$ | 10 | μA |

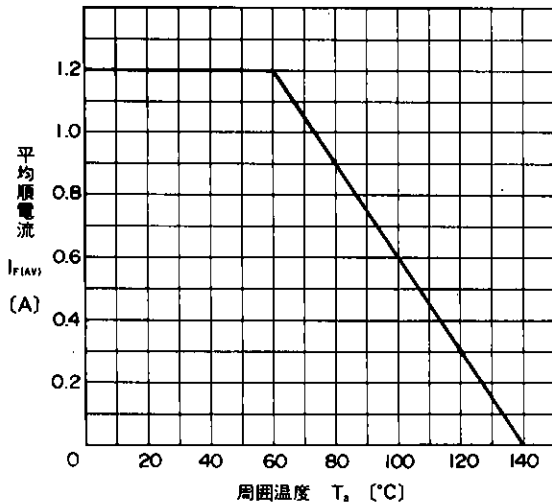
■特性曲線 : Characteristics



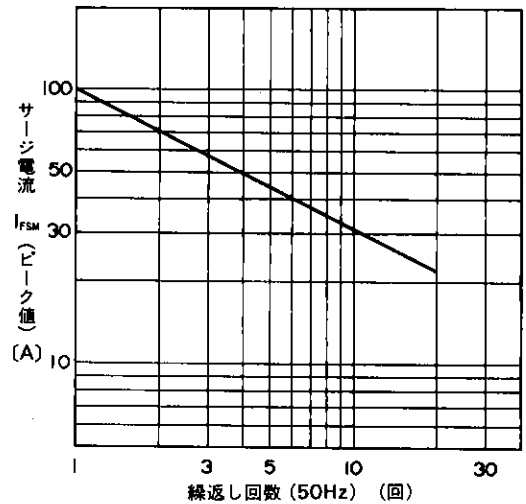
順特性 (代表特性)
Forward Characteristics



逆特性 (代表特性)
Reverse Characteristics



平均順電流—周囲温度特性
Current Derating ($I_{F(AV)}-T_a$)



サージ電流耐量
Surge Capability

A

For more information, contact:

Collmer Semiconductor, Inc.

P.O. Box 702708

Dallas, TX 75370

972-233-1589

972-233-0481 Fax

<http://www.collmer.com>