

## FEATURES

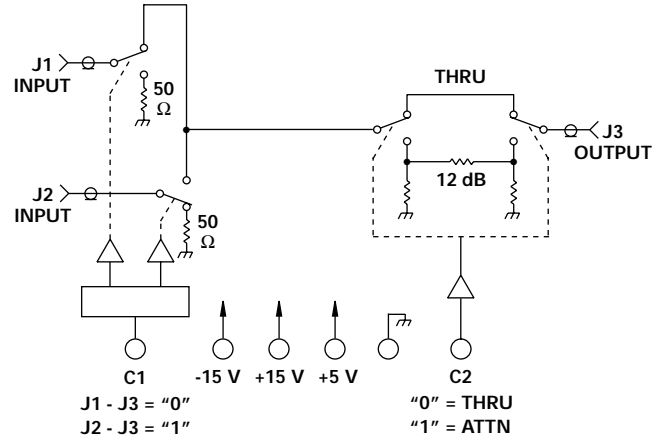
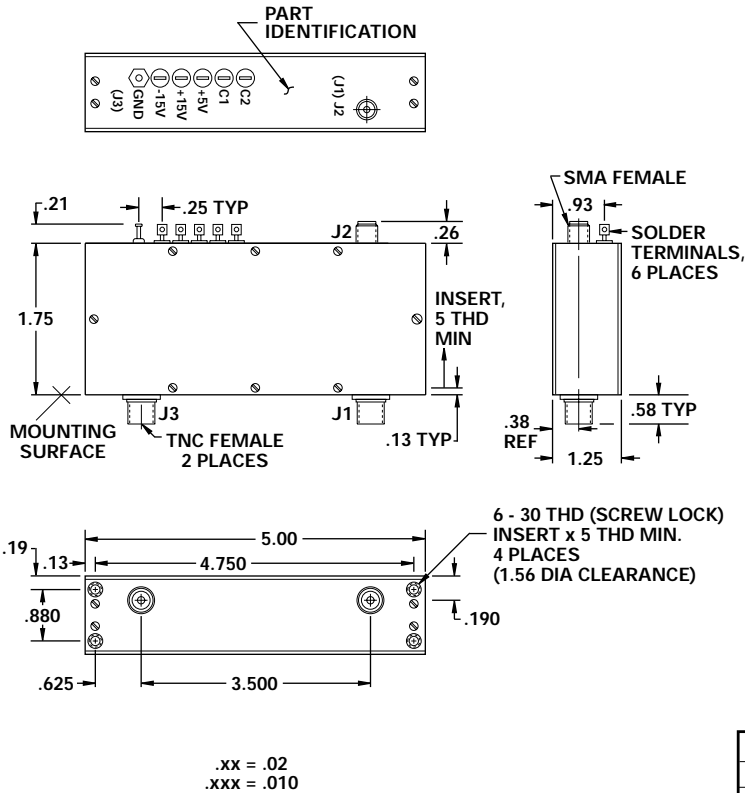
- 0.1 - 30 MHz
- 0.2 dB Amplitude Balance
- 0.5 DEG Phase Balance
- -115 dBm Switching Transients



MODEL NO.  
DSWA9072

Switch SP2T

HDI



## GUARANTEED PERFORMANCE

Parameter	Min	Typ	Max	Units	Conditions
Operating Frequency	0.1		30	MHz	
DC Current		2.2	10	mA	At +5 VDC Supply
		14	30	mA	At +15 VDC Supply
		2	5	mA	At -15 VDC Supply
Control Type	C1	TTL			"0" = J3 - J1, "1" = J3 - J2
	C2				"0" = Thru, "1" = Attn
Control Current	High	±20	±40	µA	V <sub>IH</sub> = +2.7 V
	Low	±200	±400	µA	V <sub>IL</sub> = +0.5 V
Amplitude Balance		±0.15	±0.2	dB	
Phase Balance		±0.5	±1.0	DEG	
Attenuation vs. Phase		±0.5	±1.0	DEG	
Insertion Loss		0.9	1.5	dB	
Isolation	65	75		dB	
VSWR	Thru	1.3/1	1.5/1		
	Termination	1.3/1	1.5/1		
Impedance		50		OHMS	
Switching Speed		120	300	µSec	50% TTL to 90% / 10% RF
Transition (Rise/Fall) Time				µSec	10% / 90% or 90% / 10% RF
Switching (Video) Transients		-115	-90	dBm	3 kHz Bandwidth 1 µSec On, 10 µSec Off
Intercept Points	2nd	+70	+81	dBm	
	3rd	+40	+45	dBm	
RF Power	Operate	+19	+17	dBm	0.1 - 1 MHz 0.1 dB Comp.
	No Damage	+24	+21	dBm	1 - 30 MHz 0.1 dB Comp.
			+27	dBm	
Operating Temperature	-55	+25	+85	°C	TA

