

# INTEGRATED CONNECTOR MODULES

## C893-1RX1-E3 Gigabit Ethernet MagJack® Combo with USBs and LEDs



LED1 POLARITY			LED2 POLARITY		
PIN 21	PIN 22	COLOR	PIN 19	PIN 20	COLOR
+	-	YELLOW	-	+	GREEN
-	+	GREEN			

### ELECTRICAL CHARACTERISTICS @ 25°C

#### URNS RATIO

TP1	1CT : 1CT ±2%
TP2	1CT : 1CT ±2%
TP3	1CT : 1CT ±2%
TP4	1CT : 1CT ±2%

#### DCL @ 100kHz/100mVRMS 8mA DC BIAS

350µH MIN.

#### INS. LOSS

0.1MHz TO 1MHz	-1.1 dB MAX
1MHz TO 65MHz	-0.5 dB MAX
65MHz TO 100MHz	-0.8 dB MAX
100MHz TO 125MHz	-1.2 dB MAX

#### RET. LOSS (MIN)

0.5MHz-40MHz	-18 dB
40MHz-100MHz	-12+20LOG(f/80MHz) dB

#### CM TO CM REJ

100kHz - 100MHz	-30 dB MIN
-----------------	------------

#### CM TO DM REJ

100kHz - 100MHz	-35 dB MIN
-----------------	------------

#### HIPOT (Isolation Voltage):

1500 Vrms

#### LED 1

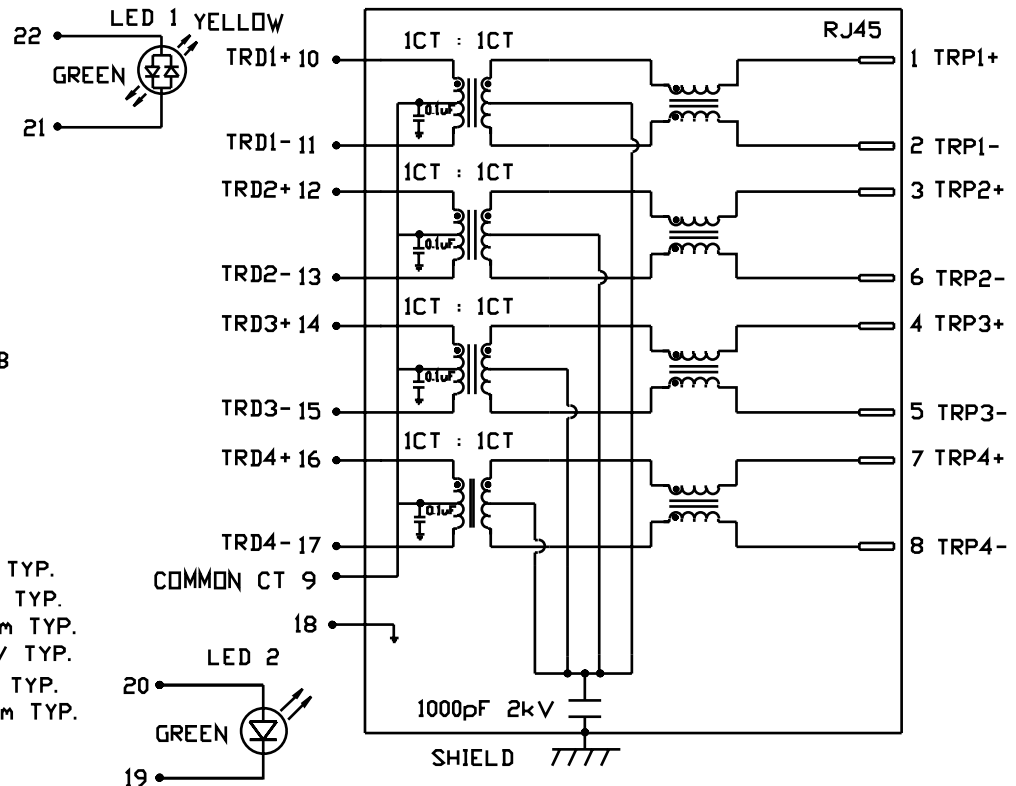
VF (FORWARD VOLTAGE)	IF=20mA	YELLOW	2.1V TYP.
		GREEN	2.2V TYP.
λD (DOMINANT WAVELENGTH)	IF=20mA	YELLOW	590nm TYP.
		GREEN	565nm TYP.

#### LED 2

VF (FORWARD VOLTAGE)	IF=20mA	GREEN	2.2V TYP.
λD (DOMINANT WAVELENGTH)	IF=20mA	GREEN	565nm TYP.

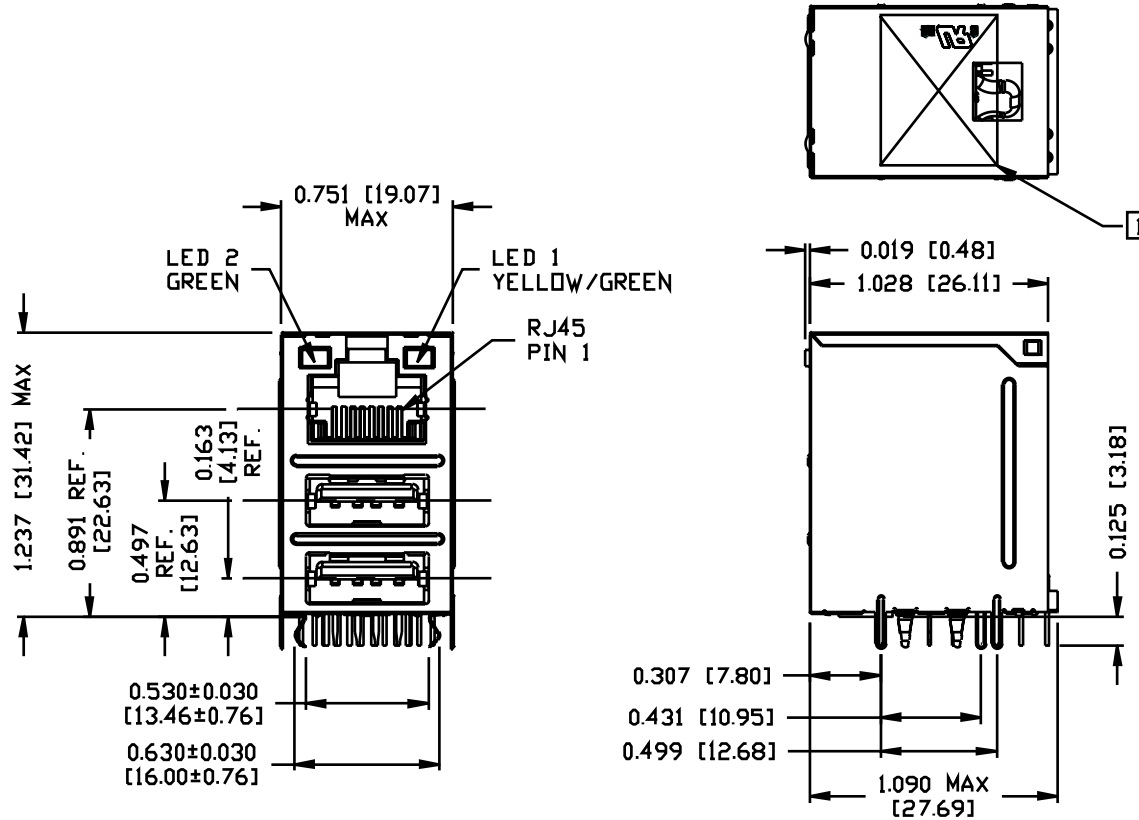
#### USB ELECTRICAL:

INSULATION RESISTANCE: 1000 MEG Ω (MIN)  
CONTACT RESISTANCE: 25 MILLI Ω (MAX)  
DIELECTRIC WITHSTANDING: 750 VAC



# INTEGRATED CONNECTOR MODULES

## C893-1RX1-E3 Gigabit Ethernet MagJack® Combo with USBs and LEDs

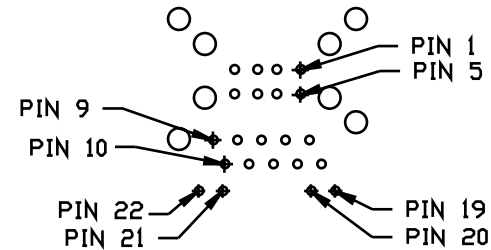
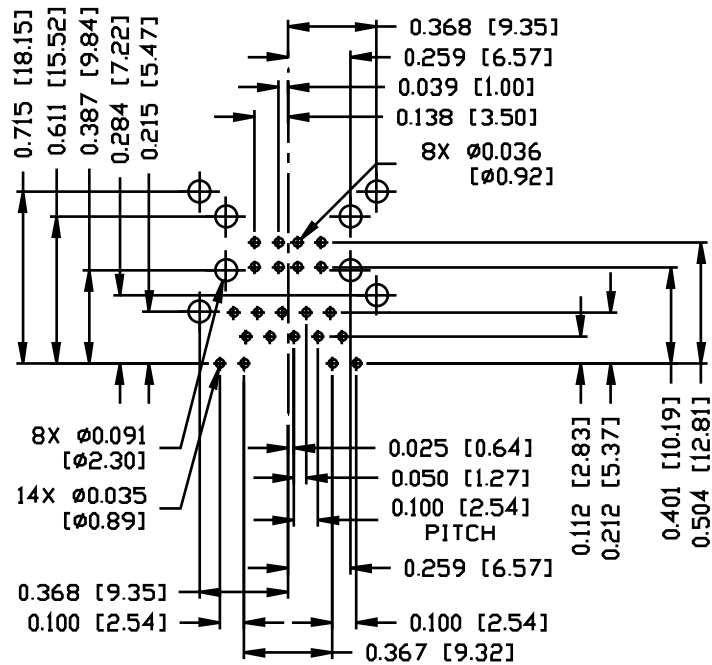


# INTEGRATED CONNECTOR MODULES

## C893-1RX1-E3 Gigabit Ethernet MagJack® Combo with USBs and LEDs



Recommended PCB Footprint  
Component Side



**RJ45 MECHANICAL:**

**PLASTIC HOUSING:** THERMOPLASTIC PBT  
FLAMMABILITY RATING UL 94V-0

**CONTACTS PLATING:** 50 MICRO-INCH HARD GOLD PLATING

**PINS:** TIN-COATED CP WIRE, DIA 0.018 INCH.

**METAL SHIELD:** TIN PLATED ON COPPER ALLOY,

**USB MECHANICAL:**

**MATING FORCE:** 35 NEWTONS MAXIMUM

**UNMATING FORCE:** 10 NEWTONS MINIMUM

**CONTACT:** PHOSPHOR BRONZE  
30 MICRO-INCH GOLD PLATING ON CONTACT AREA AND TIN ON SOLDER TAIL.

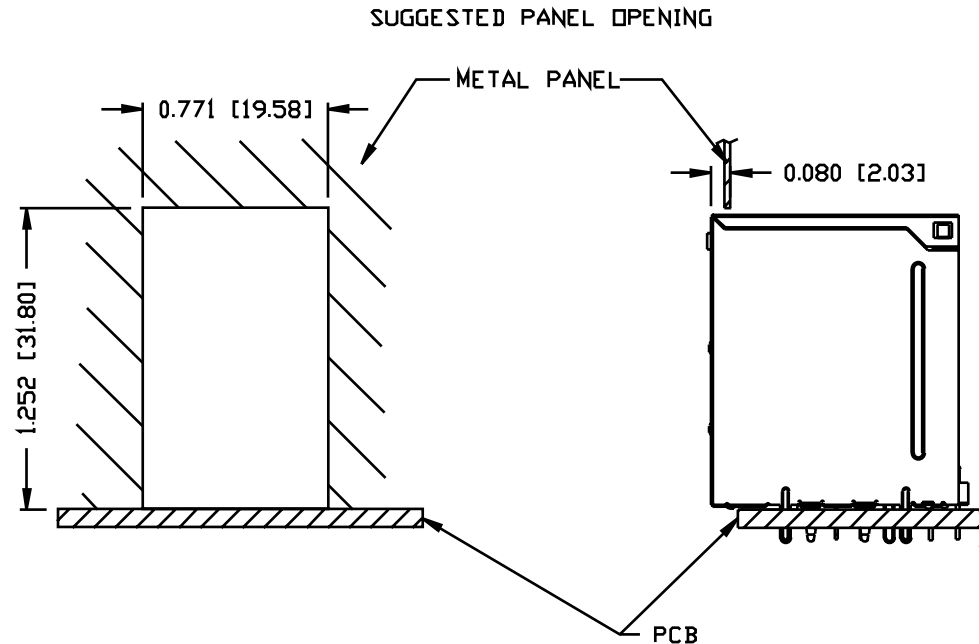
**UL RECOGNIZED - FILE #E196366 AND E169987.**

**ROHS COMPLIANCE, PER EU DIRECTIVE 2002/95/EC.**

**[1] MARK PART WITH MFG LOGO, MFG NAME, PART NUMBER, AND DATE CODE.**

## INTEGRATED CONNECTOR MODULES

### C893-1RX1-E3 Gigabit Ethernet MagJack® Combo with USBs and LEDs



**NOTE:**

THE DISTANCE OF PANEL INSIDE SURFACE RELATIVE TO FRONT SURFACE OF PART IS ONLY A SUGGESTION. IN CASE THIS DISTANCE IS DIFFERENT, THE REQUIRED PANEL OPENING DIMENSIONS CHANGE ACCORDINGLY.

**PACKING INFORMATION**

PACKING TRAY : 0200-9999-H3 (TOP)  
0200-9999-H4 (BOTTOM)

PACKING QUANTITY : 35 PCS FINISHED GOODS PER TRAY  
9 TRAYS (315 PCS FINISHED GOODS) PER CARTON BOX

NOTE : CARDBOARDS ARE PLACED BETWEEN LAYERS OF PACKING TRAY INSIDE CARTON BOX (INCLUDE THE UPPERMOST AND LOWERMOST TRAY)