

Characteristics

C_N	Δ	3x 110,8 μ F \pm 5 %	
U_N		AC 400 V	
f_N		50 Hz	60 Hz
Q_N		16,7 kvar	20 kvar
I_N		3x 24 A	29 A
$\tan\delta_0$		0,2 W/kvar (dielectric)	

Maximum ratings

U_{max}	AC 440 V, 8 h daily
	AC 520 V, 1 min
$I_r(40)$	3x 35 A ($\Theta_A = 40^\circ\text{C}$, U_N)
I_s	4800 A
$(du/dt)_{max}$	10 V/ μ s
$(du/dt)_s$	25 V/ μ s

Test data

U_{TT}	AC 900 V, 10 s
U_{TC}	AC 3000 V, 10 s
$\tan\delta$ (50 Hz)	\leq 0,7 W/kvar (total)

Climatic category -40/D

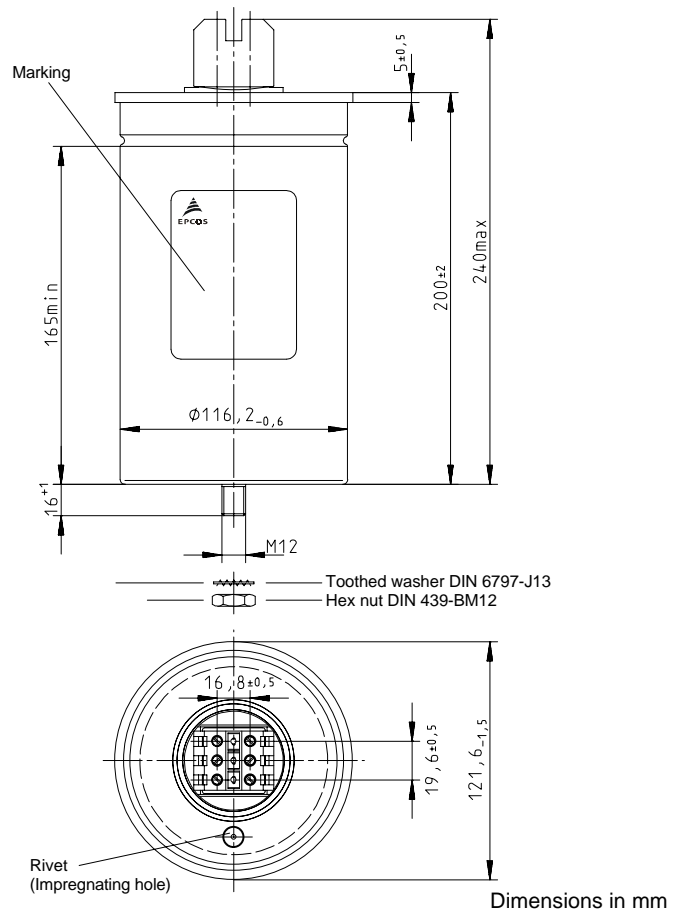
Θ_{min}	-40 °C
Θ_{max}	+55 °C
Humidity	Max. relative Humidity \leq 95 %
Θ_{stg}	-55 bis +70 °C

Life expectancy

t_{LD}	100 000 h
----------	-----------

Remarks

Natural cooling



Design data

Dimensions \varnothing x l	121,6 x 200 mm (4,79 x 7,87 in)
Approx. weight	1,6 kg (3,5 lb)
Impregnation	Gas
Fixing	Threaded bolt M12
Mounting hole	14 mm (0,55 in)
Max. torque	10 Nm
Terminals	Isolated terminal, IP20
Max. torque	1,2 Nm
Terminal cross section	16 mm ² (5 AWG)
Creepage distance	12,7 mm (0,50 in)
Clearance	9,6 mm (0,38 in)
Overpressure disconnecter	
Any mounting position possible	