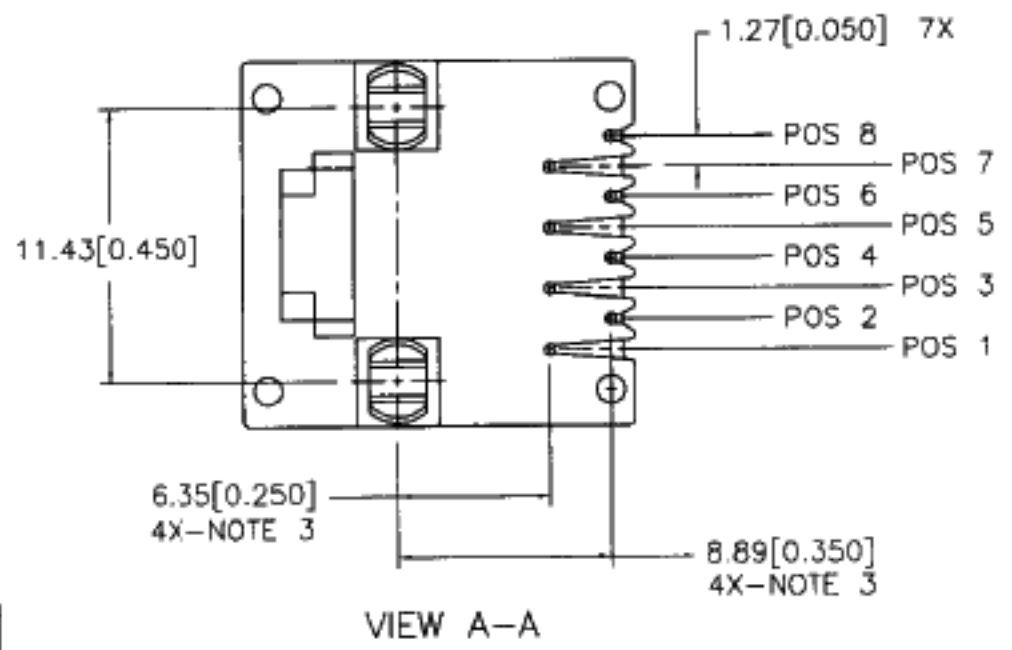
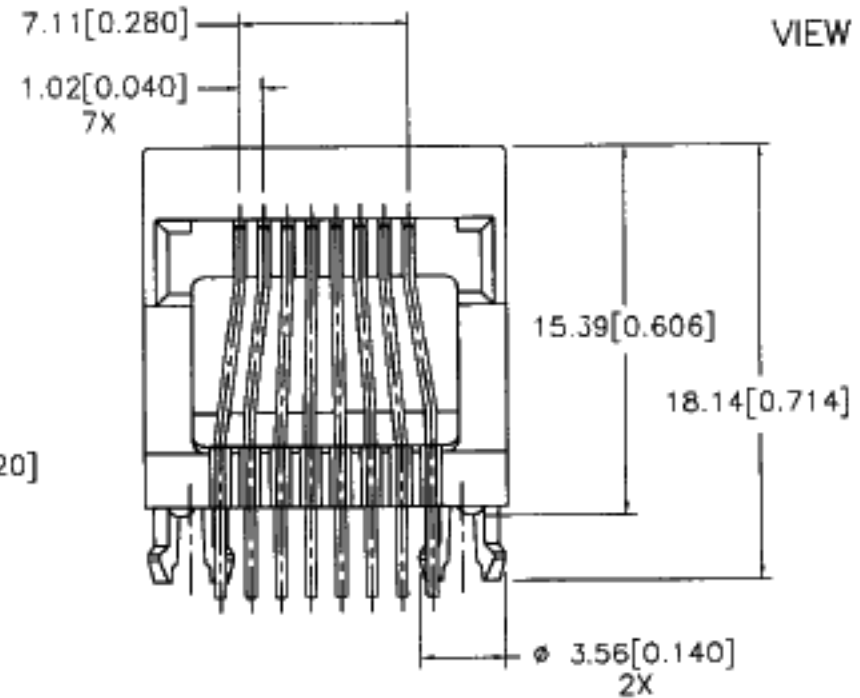
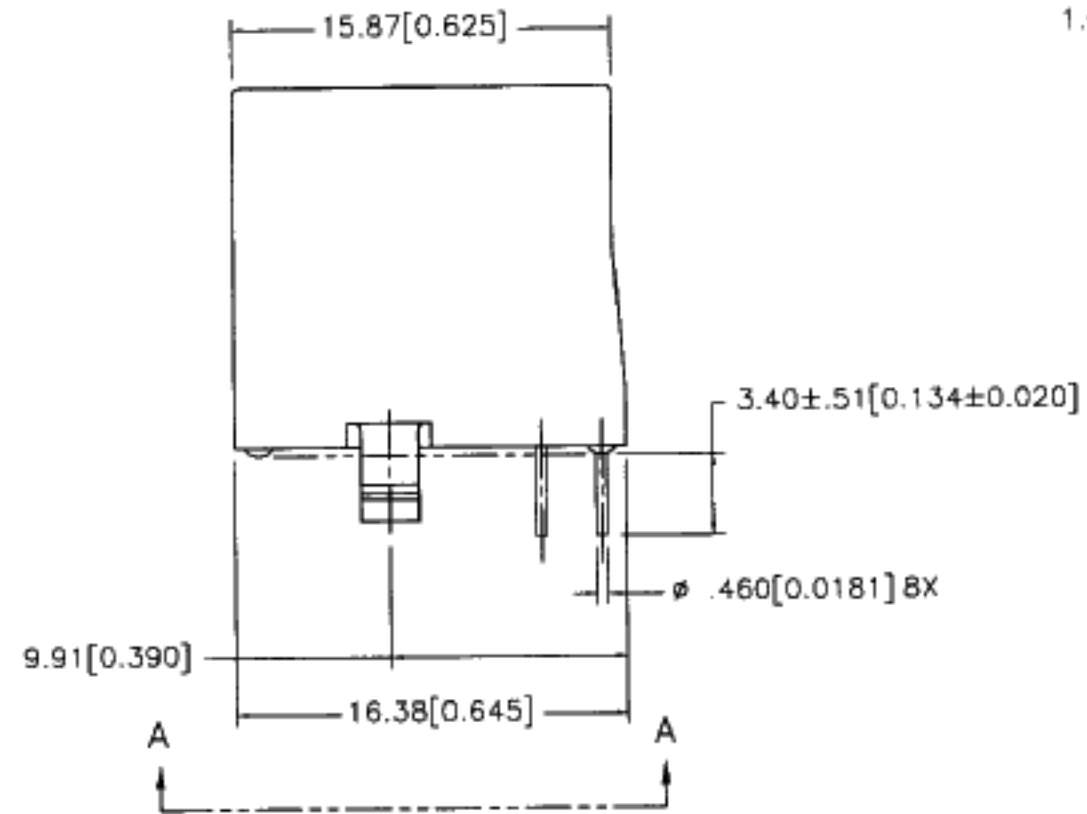
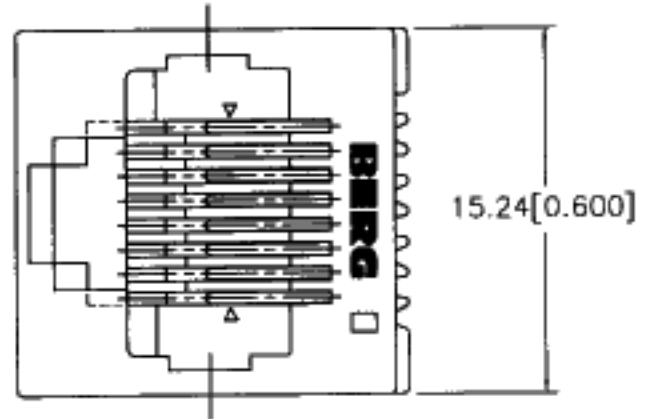


Tous droits strictement reserves. Reproduction ou communication a des tiers interdite sous quelque forme que ce soit sans autorisation écrite du propriétaire. Propriete de ©BERG ELECTRONICS. Droits de reproduction BERG ELECTRONICS INC.



All rights strictly reserved. Reproduction or issue to third parties in any form whatever is not permitted without written authority from the proprietor. Property of ©BERG ELECTRONICS Copyright BERG ELECTRONICS INC.

PRODUCT NO.
SEE TABLE



mat'l. code				tolerances unless otherwise specified		CUSTOMER COPY	
lir	ecn no	dr	date	linear	.x±.3/.xx±.01	projection	
A	V71534	GAH	10/30/97		.xx±.13/.xxx±.005	mm/INCH	
B	V80048	BWN	1/13/98		.xxx±.051/.xxxx±.0020	scale	
C	V80394	BWN	3/9/98	angles	0±2'	1:1	
D	V81208	GAH	6/30/98	dr	C. HULL 10/13/97		
				engr	B. NAREHOOD 10/13/97		
				chr	B. NAREHOOD 10/13/97		
				appd	J. SPICKLER 10/13/97		
sheet index	revision sheet	D 1	0 2				

BERG ELECTRONICS

title **8 POS VERT. SNAP PEG P.C.B. III MOD JACK ASSY**

product family MOD JACK code -

size dwg no **74268** sheet 1 of 2

cage code 22526

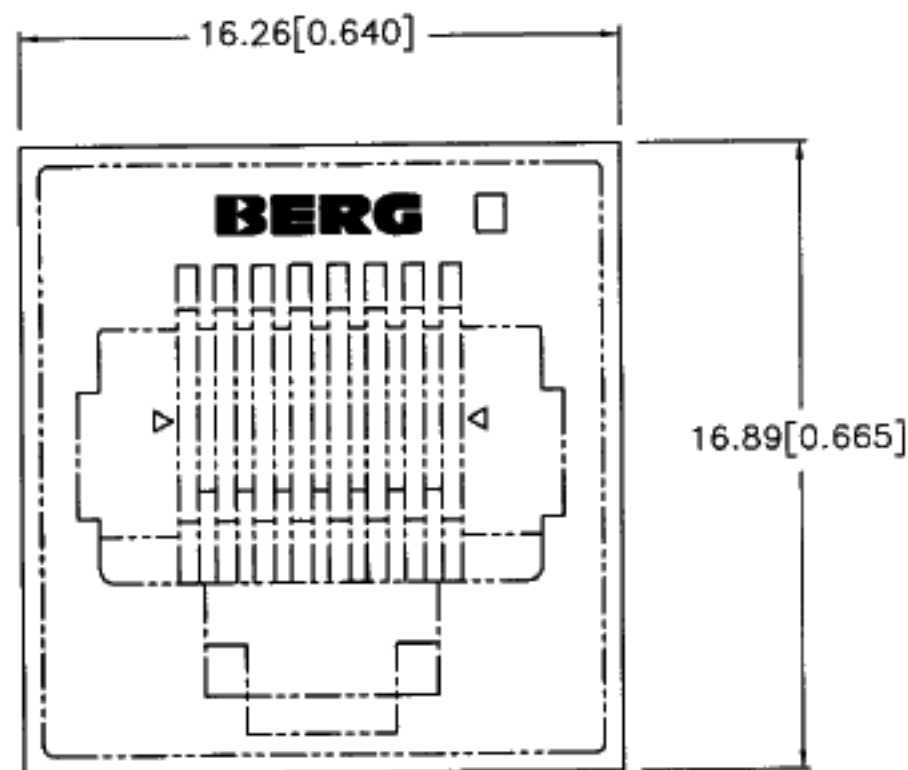
Tous droits strictement reserves. Reproduction ou communication a des tiers interdite sous quelque forme que ce soit sans autorisation écrite du propriétaire. Propriete de ©BERG ELECTRONICS. Droits de reproduction BERG ELECTRONICS INC.

BERG
ELECTRONICS

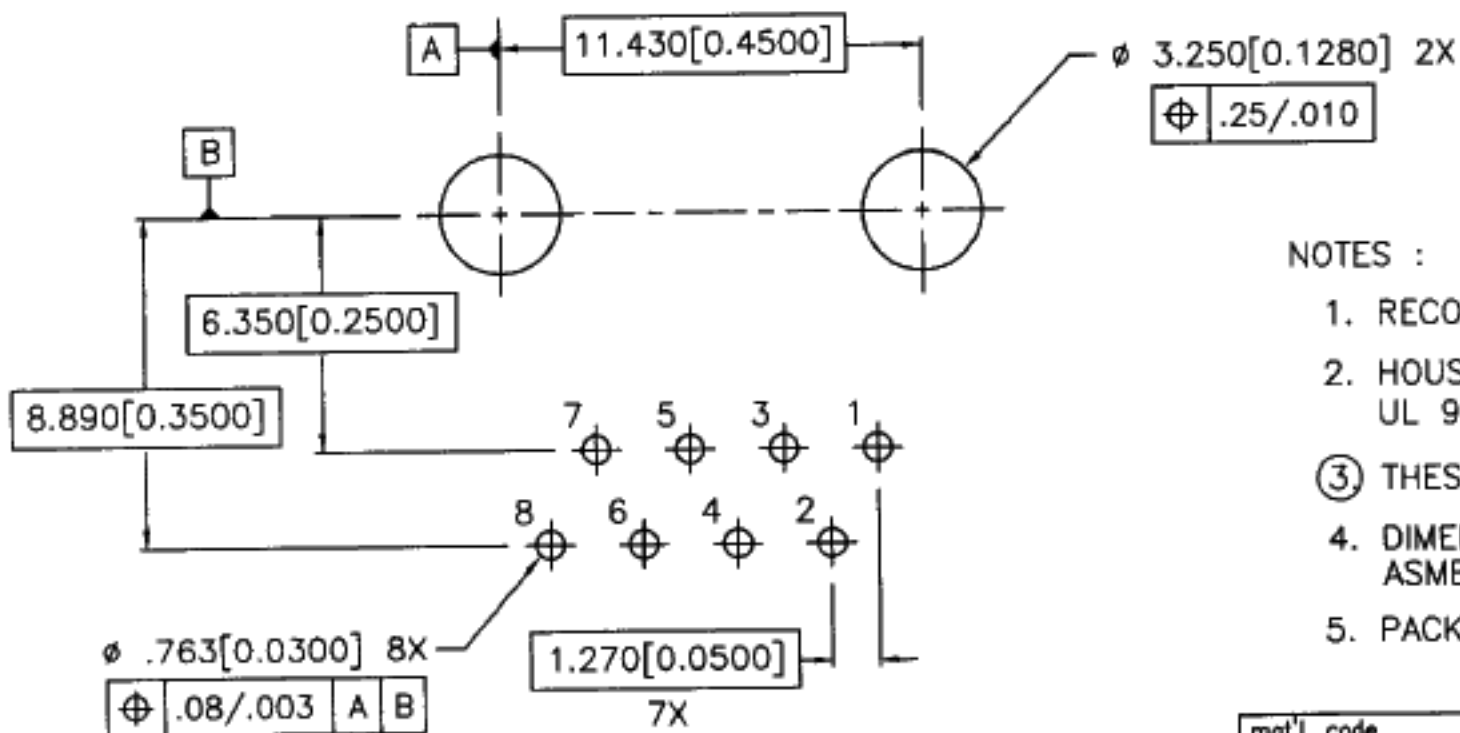
All rights strictly reserved. Reproduction or issue to third parties in any form whatever is not permitted without written authority from the proprietor. Property of ©BERG ELECTRONICS Copyright BERG ELECTRONICS INC.

PRODUCT NO	POSITIONS LOADED
74268-X01	ALL

PLATING CODE "X"	CONTACT PLATING
0	30u"/.76uM GXT
3	30u"/.76uM Au
5	50u"/1.27uM Au



RECOMMENDED PANEL CUTOUT



RECOMMENDED PCB LAYOUT
AS VIEWED FROM TOP SIDE (COMPONENT SIDE)

NOTES :

1. RECOMMENDED PCB THICKNESS 1.57 [0.062].
2. HOUSING MATL.: HIGH TEMPERATURE THERMOPLASTIC MATERIAL. UL 94V-0, COLOR BLACK.
- ③ THESE DIMENSIONS ARE TAKEN FROM THE TOP OF THE PEG.
4. DIMENSIONS AND TOLERANCES ARE IN ACCORDANCE WITH ASME Y14.5M 1994.
5. PACKAGE IN TUBES.

mat'l. code		tolerances unless otherwise specified		CUSTOMER COPY		BERG ELECTRONICS		
ltr	ecn no	dr	date	linear	.X±.3/.XX±.01	projection	title	
B					.XX±.13/.XXX±.005		8 POS VERT. SNAP PEG P.C.B. III MOD JACK ASSY	
				angles	.XXX±.051/.XXX±.0020		product family	MOD JACK
				dr	G. HULL 10/13/97	mm/INCH	code	
				enr	B. NAREHOOD 10/13/97	scale	size	
				chr	B. NAREHOOD 10/13/97		A4	74268
				appd	B. NAREHOOD 10/13/97		sheet	2 of
sheet index	revision sheet						cage code	
							22526	