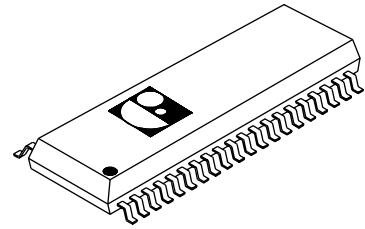
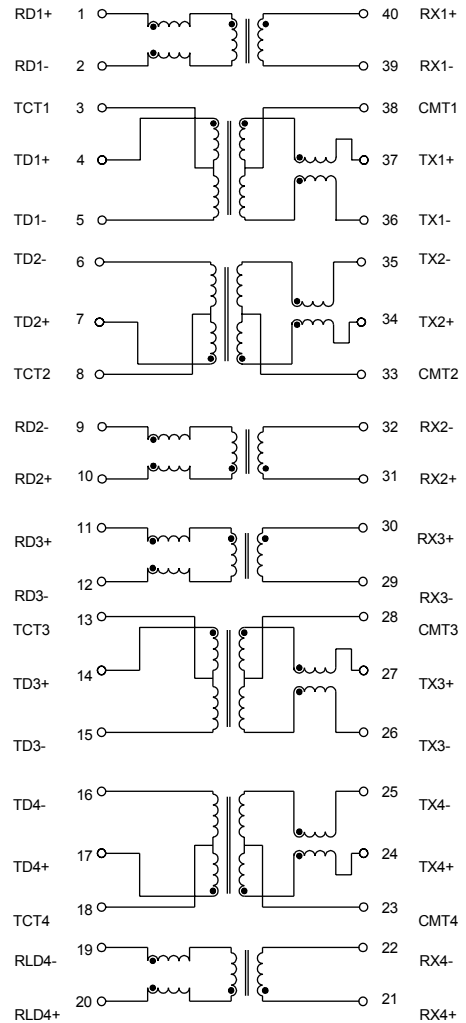
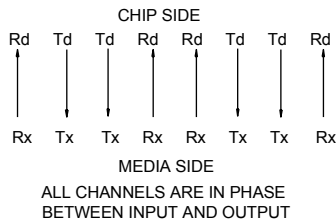
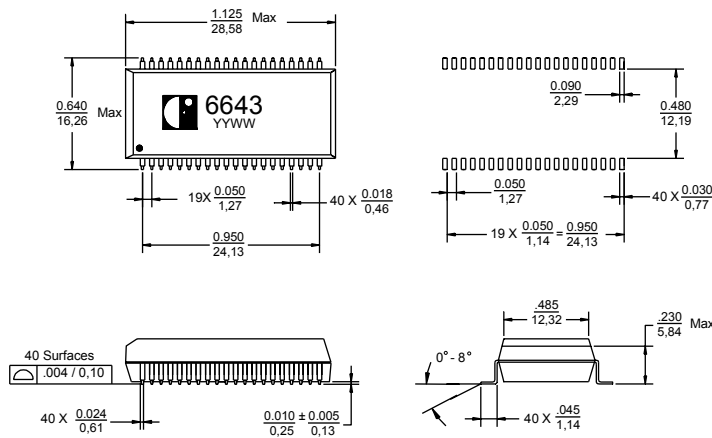


The **6643** is designed to support four (4) single or double stacked RJ-45 connectors and incorporates a unique patented interlock base design.

- Unit is compliant with IEEE 802.3  $\mu$  and ANSI X3.263 standards including 350  $\mu$ H OCL with 8 mA bias from 0 °C to 70 °C.
- IC grade transfer –molded package withstands 235 °C peak reflow temperature profile.



**MECHANICAL**



**ELECTRICAL SPECIFICATION**

Return Loss: 2 – 30 MHz	> 21 dB
40 MHz	> 17 dB
50 MHz	> 14.5 dB
60 – 80 MHz	>12 dB
Crosstalk: 1 MHz	.65 dB TYP
30 MHz	.55 dB TYP
60 MHz	.45 dB TYP
100 MHz	.35 dB TYP
Insertion Loss 0.1 – 100 MHz:	<1.1 dB

Inductance @ 100 kHz	
0.1 VAC 8 mA DC:	>350 $\mu$ H
Common to Common	
Reject Ratio 0.1 – 60 MHz:	Transmit 30 dB TYP
	Receive 30 dB TYP
Differential to Common	
Mode Rejection 1-60 MHz:	.40 dB TYP
60-200 MHz:	.30 dB TYP
Dielectric Test:	.1500 VAC

6643 ISSUE: 00/07/12