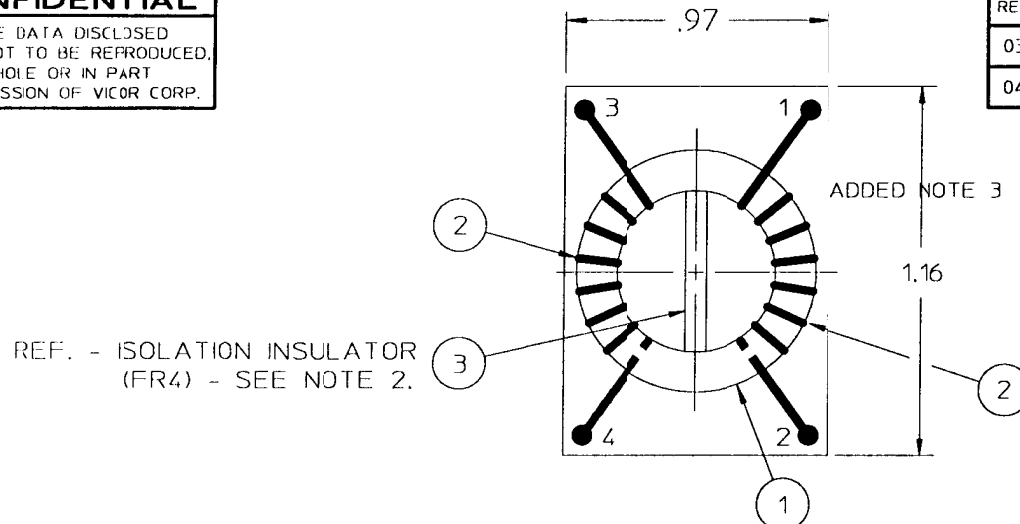


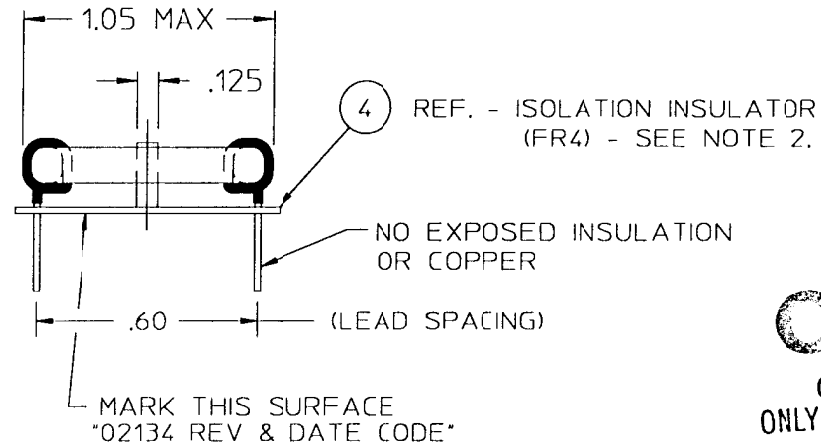
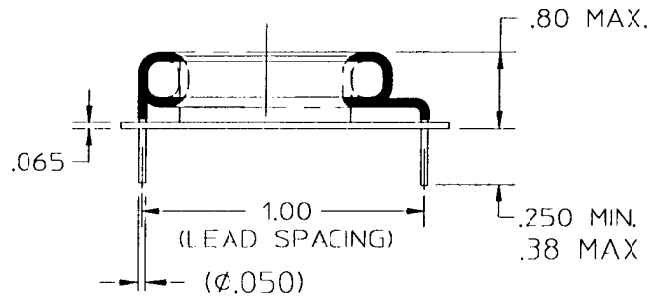
VICOR CONFIDENTIAL

THIS DOCUMENT AND THE DATA DISCLOSED HEREIN OR HEREWITH IS NOT TO BE REPRODUCED, USED, OR DISCLOSED IN WHOLE OR IN PART TO ANYONE WITHOUT PERMISSION OF VICOR CORP.

REV.	DESCRIPTION	DATE	APPROVED
03	REVISED PER E980XXX	JMR 5/98	DPK
04	REVSD- E990408	RCM 9/10/99	DPK



REF. - ISOLATION INSULATOR (FR4) - SEE NOTE 2.



NOTES:

1. ASSEMBLY TO BE FREE OF NICKS.
2. ITEMS #3 & #4 SUPPLIED BY VENDOR @ ASS'Y.
3. ALL PARTS FLAME RATED MIN. U.L. 94V-0.
4. MAX. LEAKAGE INDUCTANCE: 10.2 μH
LEAKAGE INDUCTANCE: SHORT PIN 3 TO 4, MEASURE LEAKAGE INDUCTANCE FROM PIN 1 TO 2.
5. SEE BOM 02134 FOR A LIST OF PARTS.

COPY
ORIGINAL ONLY WHEN STAMPED IN RED

TEST	ITEM NO.	WINDING	NO. OF TURNS	IND.(mH)	DC RES (mΩ)	DATE	SIZE	FSCM NO.	DWG NO	REV
10 KHz @ 11.6 mV	2	1 PRI.	10 TURNS	.845 - 1.570	7 MAX.	4/98	B	67131	18768	04
	2	1 PRI.	10 TURNS	.845 - 1.570	7 MAX.					

DRAWN BY: _____ DATE: 4/98

UNLESS OTHERWISE SPECIFIED DIMENSIONS ARE IN INCHES - TOLERANCES ARE:

FRACTIONS	DECIMALS	ANGLES
+1/64	XX-+.01	.1°
	XXX-+.005	

THIRD ANGLE PROJECTION

DO NOT SCALE DRAWING

VICOR

CHOKER ASSY.DWG., COMMON MODE FLTR.
12 AMP RMS 10TH 16/10TH 16

SIZE	FSCM NO.	DWG NO	REV
B	67131	18768	04

SCALE NONE SHEET 1 OF 1