

FEATURES

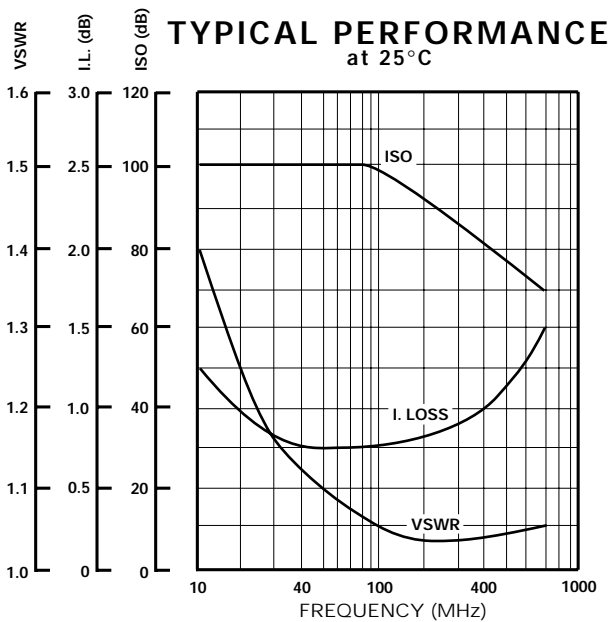
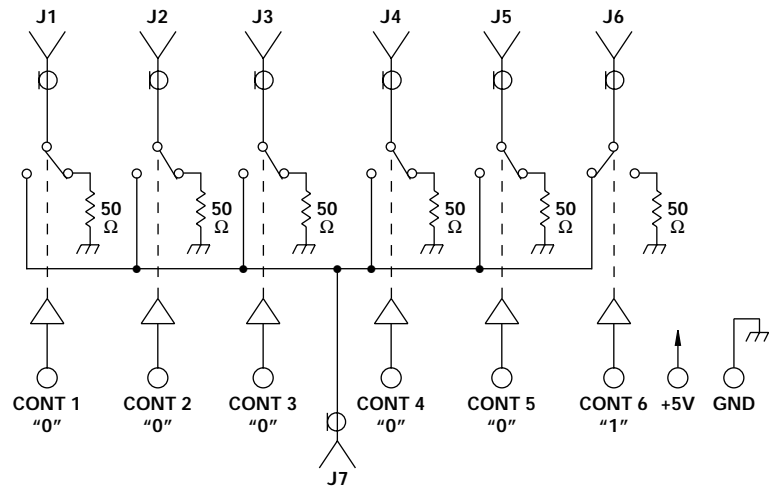
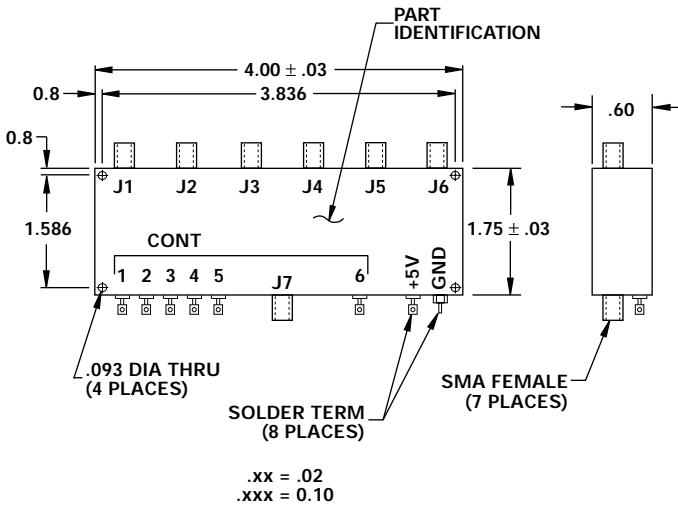
- 20 - 600 MHz
- High Isolation
- +40 dBm 3rd Order Intercept
- Non-Reflective
- TTL Driver
- SMA Connectors



MODEL NO.
100C1286

High Isolation PIN Diode SP6T

SP6T



GUARANTEED PERFORMANCE

Parameter	Min	Typ	Max	Units	Conditions
Operating Frequency	20		600	MHz	
DC Current		250	300	mA	At +5 VDC Supply
Control Type		TTL			Load Factor 1 Logic "0" = Isolation Logic "1" = Thru
Control Current			100	μA	V _{IH} = +2.7 V
			-400	μA	V _{IL} = +0.5 V
Insertion Loss		0.8	1.0	dB	20 - 200 MHz
		1.0	1.5	dB	200 - 350 MHz
		1.3	2.0	dB	350 - 600 MHz
Isolation	85	90		dB	20 - 200 MHz
	70	73		dB	200 - 600 MHz
VSWR		1.25/1	1.35/1		20 - 600 MHz
Impedance		50		OHMS	
Switching Speed			3.0	μSEC	50% TTL to 90% / 10% RF
Intercept Points	2nd	+65		dBm	20 MHz
	3rd	+40		dBm	87 MHz
RF Power	Operate		+10	dBm	0.1 dB Comp. Below 40 MHz
			+13	dBm	0.1 dB Comp. Above 40 MHz
	No Damage		+30	dBm	
Operating Temperature	-55	+25	+85	°C	TA