

Features

General

- High-performance, Low-power 32-bit ARM®-SC100™ Enhanced RISC Architecture
- Von Neumann Load / Store Architecture
 - single 32-bit Data Bus for Instructions and Data
- Memory Protection unit
- Internal Oscillator (VFO) (up to 50 MHz)
- ESD Protection to $\pm 2000V$ ($\pm 6000V$ on the ISO interfaces)
- Operating Ranges: 3.3V (+/- 10%)
- Compliant with EMV Level 1, VISA PED, APACS, ZKA, Common Criteria (EAL4+), FINREAD

Memory

- 256 bits of Key Storage (battery backup)
- 32K Bytes of internal ROM Memory (BOOT, library)
- 256K Bytes of Internal EEPROM, including 128 OTP Bytes and 384-byte Bit-addressable Bytes
 - 1 to 128-byte Program/Erase
 - 2 ms Program, 2 ms Erase
 - Endurance: 500,000 Write/Erase Cycles at temperature of 25 degrees C
 - 10 Years Data Retention
- 100K Bytes of Internal RAM (4KB Crypto RAM)
- up to 16M Bytes of External Memory (accessed by page)

Peripherals

- Page Unit to access External Memory Page
- Static Memory Controller
- Two ISO 7816 controllers with DC/DC (one of them can be multiplexed to address 4 SAM)
- USB 2.0 Full Speed (8 endpoints)
- SPI Controller (up to 24 Mbps)
- Two Universal Synchronous/Asynchronous Receiver Transmitters (USART)
- Triple Track Magstripe Logical Interface
- 5 8-bit I/O Port Interface (LEDs, Keyboard, LCD, spare...)
- Real Time Clock (RTC) with Alarm interrupt
- System Timer including a 16-bit Counter, Watchdog and Second Counter
- Six-channel 16-bit Timer/counter
- 2-level, 28-interrupt Controller
- Hardware DES and Triple DES DPA Resistant
- Hardware AES 128-192-256
- Hardware SHA-1, SHA-256
- True Random Number Generator (RNG)
- Two CRC 16 Engines and one CRC 32 Engine (Compliant with ISO/IEC 3309)
- AdvX - Advanced crypto multiplier for cryptography and authentication (including RSA, DSA, Key Generation, ECC)

Security

- Dedicated Hardware for Protection Against SPA/DPA Attacks
- Advanced Protection Against Physical Attack, including Active Shield
- Intrusion sensors (mesh and switches).
- Environmental Protection Systems (Voltage, Frequency, UV and Temperature)
- Secure Memory Management/Access Protection (MPU)
- Real time clock and battery back up
- Compliant with EMV standard, VISA PED and FINREAD



Secure Microcontroller for Electronic Transaction Terminal / Reader

AT91SO100/101

Summary

6514BS-SMIC-26Oct05



Note: This is a summary document. A complete document will be available under NDA. For more information, please contact your local Atmel sales office.



Description

AT91SO100 is a low-power, high-performance, SC100 32-bit microcontroller based on the ARM® enhanced RISC architecture. This new SC100 core allows the linear addressing of up to 1M bytes of code and data as well as a number of new functional and security features. A 3-level instruction pipeline allows the performance of one instruction in a single clock cycle, the AT91SO100 achieves throughputs close to 1 MIPS per MHz. The SC100 processor employs a unique architectural strategy known as Thumb® a super reduced instruction set that is ideally suited for high volume applications with memory restrictions and applications where code density is an important factor.

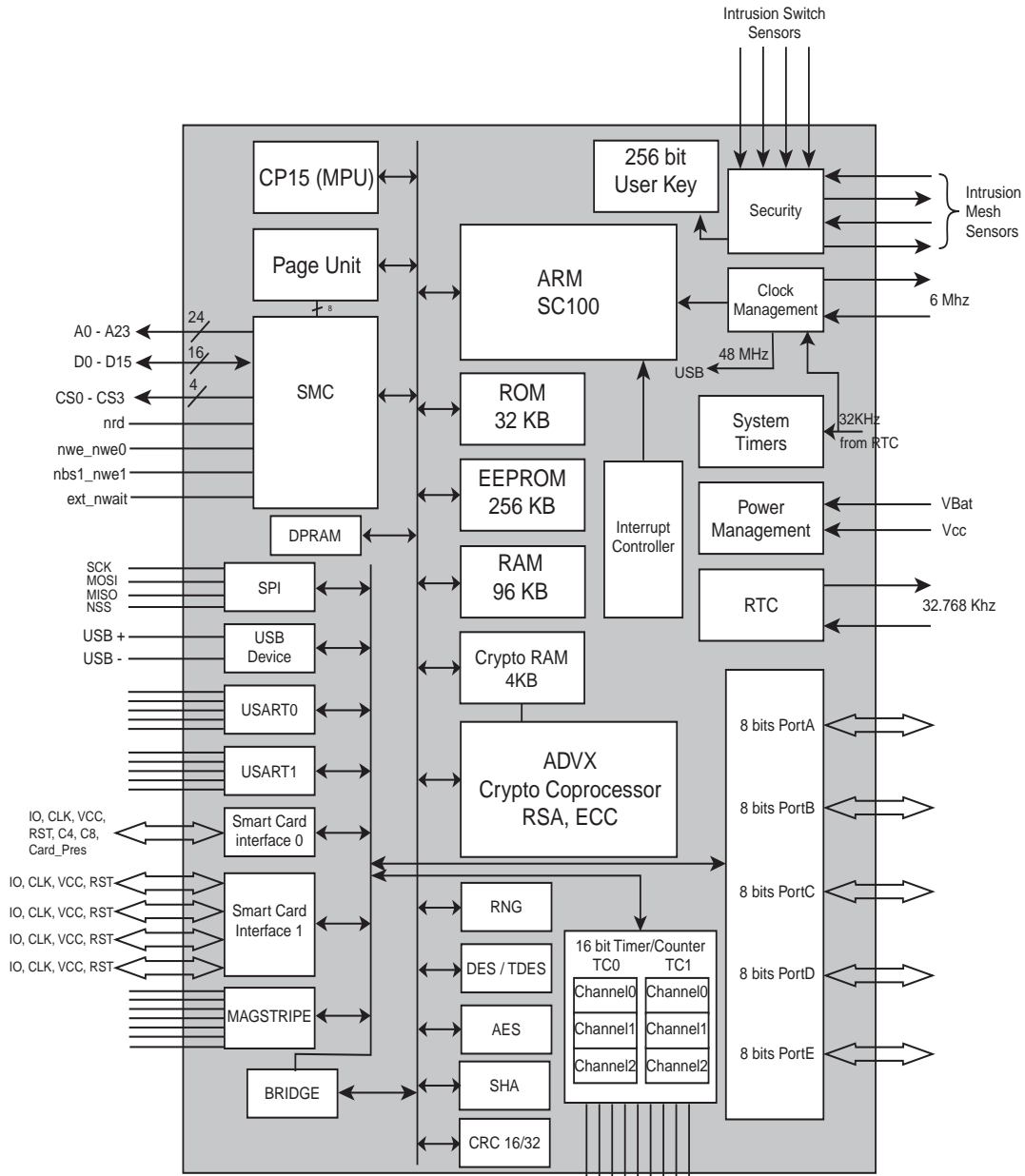
AT91SO100 has internal EEPROM that can be used as program or data memory. It also includes a ROM (for the boot and some native functions) and a large SRAM. **AT91SO100** can also address, via pages, up to 16Mbytes of external memory.

The **AT91SO100** also comprises of strong security mechanisms and has a impressive set of cryptography features , hardware DES/TDES, hardware AES, hardware SHA-n, hardware cryptography accelerator for asymmetric algorithms (RSA, Elliptic Curve, Key generation) and a true random number generator.

AT91SO100 includes a lot of dedicated peripherals as smart card and magnetic stripe card interface, as well as USB, SPI, UARTs and I/O ports.

The **AT91SO101** is a single package solution in BGA256 embedding two chips, the **AT91SO100** and the **AT83C26** which physically interface with up to five smart cards.

Figure 1. Block Diagram.





Atmel Corporation

2325 Orchard Parkway
San Jose, CA 95131, USA
Tel: 1(408) 441-0311
Fax: 1(408) 487-2600

Regional Headquarters

Europe

Atmel Sarl
Route des Arsenaux 41
Case Postale 80
CH-1705 Fribourg
Switzerland
Tel: (41) 26-426-5555
Fax: (41) 26-426-5500

Asia

Room 1219
Chinachem Golden Plaza
77 Mody Road Tsimshatsui
East Kowloon
Hong Kong
Tel: (852) 2721-9778
Fax: (852) 2722-1369

Japan

9F, Tonetsu Shinkawa Bldg.
1-24-8 Shinkawa
Chuo-ku, Tokyo 104-0033
Japan
Tel: (81) 3-3523-3551
Fax: (81) 3-3523-7581

Atmel Operations

Memory

2325 Orchard Parkway
San Jose, CA 95131, USA
Tel: 1(408) 441-0311
Fax: 1(408) 436-4314

Microcontrollers

2325 Orchard Parkway
San Jose, CA 95131, USA
Tel: 1(408) 441-0311
Fax: 1(408) 436-4314

La Chantrerie
BP 70602
44306 Nantes Cedex 3, France
Tel: (33) 2-40-18-18-18
Fax: (33) 2-40-18-19-60

ASIC/ASSP/Smart Cards

Zone Industrielle
13106 Rousset Cedex, France
Tel: (33) 4-42-53-60-00
Fax: (33) 4-42-53-60-01

1150 East Cheyenne Mtn. Blvd.
Colorado Springs, CO 80906, USA
Tel: 1(719) 576-3300
Fax: 1(719) 540-1759

Scottish Enterprise Technology Park
Maxwell Building
East Kilbride G75 0QR, Scotland
Tel: (44) 1355-803-000
Fax: (44) 1355-242-743

RF/Automotive

Theresienstrasse 2
Postfach 3535
74025 Heilbronn, Germany
Tel: (49) 71-31-67-0
Fax: (49) 71-31-67-2340

1150 East Cheyenne Mtn. Blvd.
Colorado Springs, CO 80906, USA
Tel: 1(719) 576-3300
Fax: 1(719) 540-1759

Biometrics/Imaging/Hi-Rel MPU/ High Speed Converters/RF Datacom

Avenue de Rochepleine
BP 123
38521 Saint-Egreve Cedex, France
Tel: (33) 4-76-58-30-00
Fax: (33) 4-76-58-34-80

Literature Requests

www.atmel.com/literature

Disclaimer: The information in this document is provided in connection with Atmel products. No license, express or implied, by estoppel or otherwise, to any intellectual property right is granted by this document or in connection with the sale of Atmel products. **EXCEPT AS SET FORTH IN ATMEL'S TERMS AND CONDITIONS OF SALE LOCATED ON ATMEL'S WEB SITE, ATMEL ASSUMES NO LIABILITY WHATSOEVER AND DISCLAIMS ANY EXPRESS, IMPLIED OR STATUTORY WARRANTY RELATING TO ITS PRODUCTS INCLUDING, BUT NOT LIMITED TO, THE IMPLIED WARRANTY OF MERCHANTABILITY, FITNESS FOR A PARTICULAR PURPOSE, OR NON-INFRINGEMENT. IN NO EVENT SHALL ATMEL BE LIABLE FOR ANY DIRECT, INDIRECT, CONSEQUENTIAL, PUNITIVE, SPECIAL OR INCIDENTAL DAMAGES (INCLUDING, WITHOUT LIMITATION, DAMAGES FOR LOSS OF PROFITS, BUSINESS INTERRUPTION, OR LOSS OF INFORMATION) ARISING OUT OF THE USE OR INABILITY TO USE THIS DOCUMENT, EVEN IF ATMEL HAS BEEN ADVISED OF THE POSSIBILITY OF SUCH DAMAGES.** Atmel makes no representations or warranties with respect to the accuracy or completeness of the contents of this document and reserves the right to make changes to specifications and product descriptions at any time without notice. Atmel does not make any commitment to update the information contained herein. Atmel's products are not intended, authorized, or warranted for use as components in applications intended to support or sustain life.

© Atmel Corporation 2005. **All rights reserved.** Atmel®, logo and combinations thereof, Everywhere You Are® and others, are registered trademarks or trademarks of Atmel Corporation or its subsidiaries. Other terms and product names may be trademarks of others.



Printed on recycled paper.

6514BS-SMIC-26Oct05