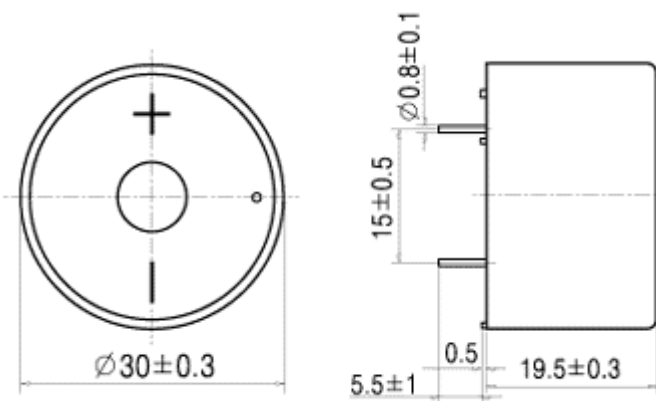




Type	BPT-30X
Rated Voltage(V _{DC})	12
Operating Voltage(V _{DC})	3~20
◆Rated Current 12VDC(mA)	≤10
◆Sound Output at 100cm(dB)	≥90
◆Resonant Frequency(Hz)	3600±500
Operating Temperature(°C)	-30~+85
Storage Temperature(°C)	-30~+85
Weight(g)	8

◆ Value applying at rated voltage(DC).



Unit:mm