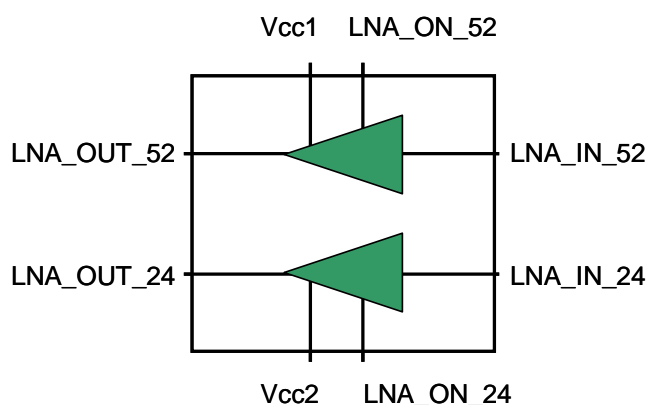


802.11a/b/g Low Noise Amplifier Module

Functional Block Diagram



Product Description

The TQM3M7001 is the first of TriQuint's Dualband WLAN Low Noise Amplifier's in an ultra small 3mm x 3mm footprint package for 802.11a/b/g applications. The architecture and interface are optimized for next generation dual-band WLAN transceivers requiring external LNA's. The LNA module features a single LNA supply voltage and a CMOS compatible LNA shutdown voltage to facilitate ease of use. With its low power dissipation in both frequency bands, the LNA Module contributes to the extended battery life of next generation WLAN solutions. The Low Noise amplifier is manufactured in TriQuint's high-reliability PHEMT technology and is assembled in an industry standard 3mm x 3mm x 0.9mm VQFN-12 Pb-Free package.

Electrical Specifications

Parameter	Min	typ	max	units
Frequency Range	2400	-	2500	MHz
Gain		16.5		dB
Noise Figure		1.2		dB
IIP3		6		dBm

Parameter	Min	typ	max	units
Frequency Range	4900	-	5950	MHz
Power Gain		22.5		dB
Noise Figure		1.5		dB
IIP3		1		dBm

Test Conditions: Ta=25°C; Vcc=3.3V LNA_ON=3.3V

Data Sheet: Subject to change without notice

For additional information and latest specifications, see our website: www.triquint.com

Revision C, October 18, 2005

Features

- Fully Integrated, Dualband Low Noise Amplifier Module for 802.11a/b/g WLAN Systems
- Internally Matched input/output
- No External Components Required
- Full World Band Frequency Operation
- Temperature Compensated Bias Network
- LNA Shutdown Control
- Single 3.3V supply
- Leadless 3.0 x 3.0 x 0.9 mm SMT Pb-Free Package

802.11a/b/g Low Noise Amplifier Module

Absolute Maximum Ratings

Parameter	Symbol	Value		Unit
		min	max	
Power Supply Voltage	V_{cc1}, V_{cc2}	0	6.0	V
DC Voltage at GND Ports	V_{GND}	-0.3	0.3	V
Power Dissipation	P_{diss}		0.2	W
Storage Temperature	$T_{STORAGE}$	-55	150	°C
Operating Temperature	T_a	-40	85	°C
Maximum Input Power (When LNA is ON) (When LNA is OFF)	P_{Imax_ON}		0	dBm
	P_{Imax_OFF}		5	dBm
DC on signal for 2.4GHz LNA	LNA_ON_24	-0.3	5	V
DC on signal for 5GHz LNA	LNA_ON_52	-0.3	5	V

General Electrical Characteristics, 2.4GHz Band Low Noise Amplifier¹

Parameter	min	typ	max	Unit
Frequency Range	2400	-	2500	Mhz
Gain	15	16.5	17.5	dB
Gain Variation vs. Temperature		-0.9 (25°C to 85°C) -0.4 (25°C to 55°C) +0.4 (25°C to -5°C)		dB
Gain Flatness (in any 50MHz band)		+/- 0.4		dB
Out of Band Rejection				
1.0GHz		20		dB
1.75GHz		9		dB
2.0GHz		4		dB
3.2GHz		5		dB
4.0GHz		12.5		dB
Gain Variation vs. Supply Voltage		+/- 0.3		dB
Noise Figure		1.2	1.45	dB
Noise Figure Variation vs. Temperature		0.45 (25°C to 85°C) 0.2 (25°C to 55°C) -0.2 (25°C to -5°C)		dB
Input Return Loss		15		dB
Output Return Loss		15		dB
Input P1dB		-8.5		dBm
Input IP3		6		dBm

¹ AC performance is guaranteed at the following conditions: $T_a=25^\circ\text{C}$, $f=2450\text{MHz}$, $V_{cc1}=V_{cc2}=3.3\text{V}$, LNA_ON_2.4=H, LNA_ON_52=L

802.11a/b/g Low Noise Amplifier Module

General Electrical Characteristics – 5GHz Band Low Noise Amplifier²

Parameter	min	typ	max	Unit
Frequency Range	4900	-	5950	Mhz
Gain (at 5.2GHz)	21	22.5	23.5	dB
Gain Variation vs. Temperature		-1.7 (25°C to 85°C) -0.8 (25°C to 55°C) +0.8 (25°C to -5°C)		dB
Gain Flatness (in any 100MHz band)		+/- 0.4		dB
Out of Band Rejection				
3.7GHz		10		dB
7.5GHz		5		dB
Gain Variation vs. Supply Voltage		+/- 0.5		dB
Noise Figure		1.5	1.7	dB
Noise Figure vs. Temperature		0.55 (25°C to 85°C) 0.25 (25°C to 55°C) -0.25 (25°C to -5°C)		dB
Input Return Loss		10		dB
Output Return Loss		9		dB
Input P1dB		-10		dBm
Input IP3		1		dBm

² AC performance is guaranteed at the following conditions: $T_a=25^\circ\text{C}$, $f=5500\text{MHz}$, $V_{cc1}=V_{cc2}=3.3\text{V}$, $LNA_ON_2.4=L$, $LNA_ON_52=H$

802.11a/b/g Low Noise Amplifier Module

DC Electrical Performance – 2.4GHz Band Low Noise Amplifier

Parameter	min	typ	max	Unit
V _{cc2} Operating Voltage Supply Range	3.0	3.3	3.6	V
I _{cc2} Total Supply Current (LNA_ON_24=H) ³	9	11.5	17	mA
I _{cc2} Total Supply Current (LNA_ON_24=L)			5	uA
LNA_ON_24 (H)	3.0	3.3	3.6	V
LNA_ON_24 (L)	-0.3	0	0.8	V
I _{LNA_ON_24} (H)		0.4		mA

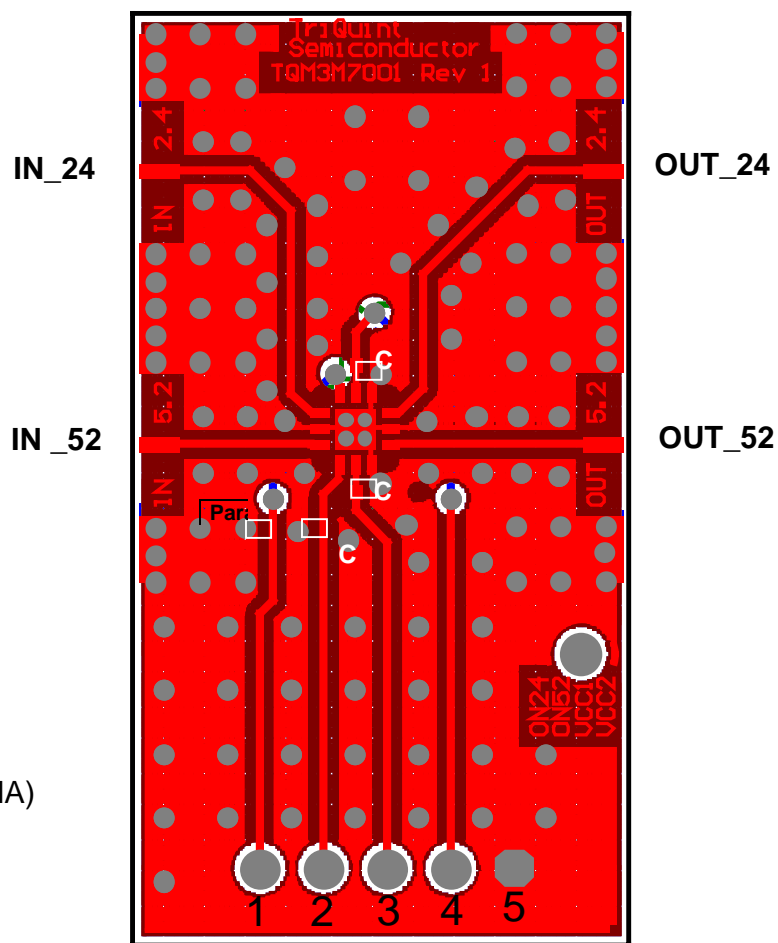
DC Electrical Performance – 5GHz Band Low Noise Amplifier

Parameter	min	typ	max	Unit
V _{cc1} Operating Voltage Supply Range	3.0	3.3	3.6	V
I _{CC1} Total Supply Current (LNA_ON_52=H) ³	16	18.5	25	mA
I _{CC1} Total Supply Current (LNA_ON_52=L)			5	uA
LNA_ON_52 (H)	3	3.3	3.6	V
LNA_ON_52 (L)	-0.3	0	0.8	V
I _{LNA_ON_52} (H)		0.6		mA

³ Min and Max of total supply current is guaranteed at the following conditions: T_a=25°C, V_{cc1}= V_{cc2}=3.3V,

802.11a/b/g Low Noise Amplifier Module

Layout and BOM of TQM3M7001 Evaluation board



- Pin 1: ON_24
- Pin 2: ON_52
- Pin 3: VCC1 (for 5 GHz LNA)
- Pin 4: VCC2 (for 2.4 GHz LNA)

BOM- TQM3M7001 Evaluation board

- C1, C2 (on Vcc1 and Vcc2): 1uF bypass capacitor
- C3, C4 (on ON_24 and ON_52): 100 pF bypass capacitor

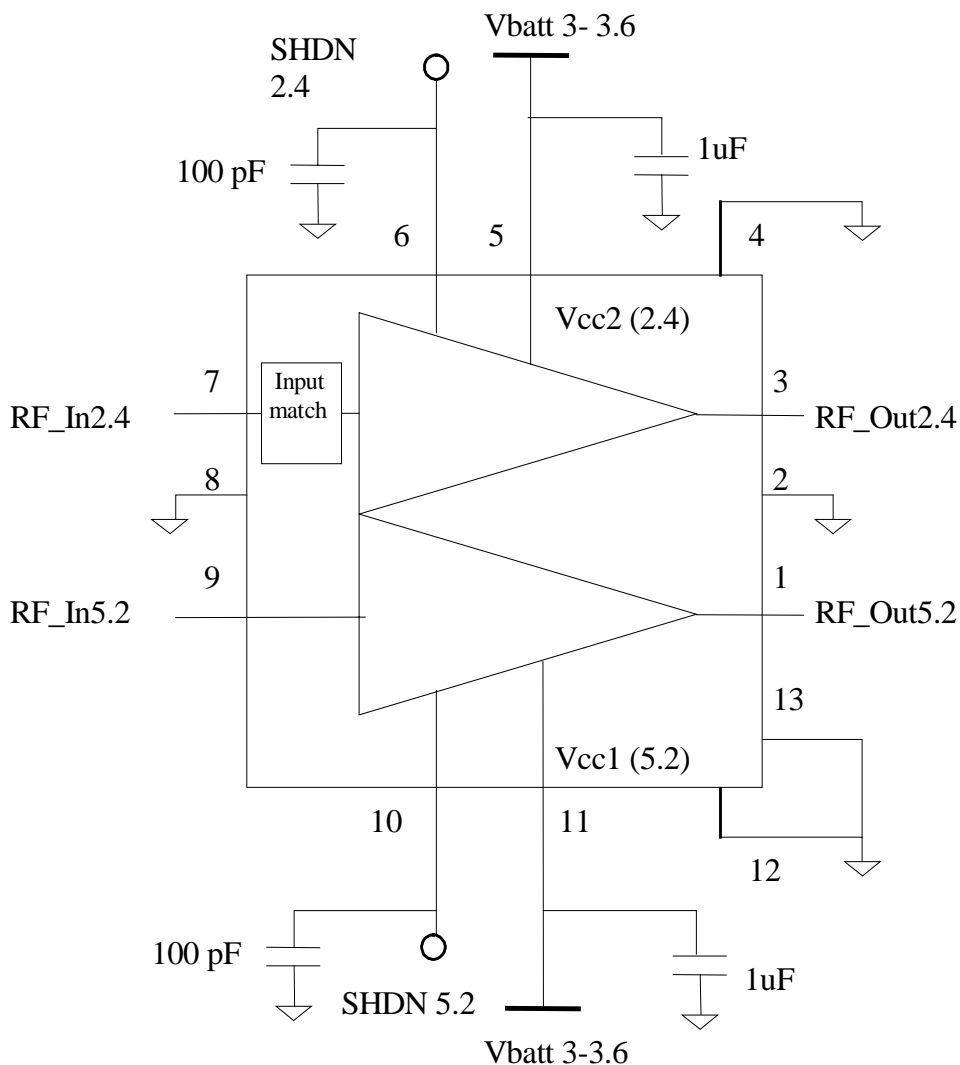
Data Sheet: Subject to change without notice

For additional information and latest specifications, see our website: www.triquint.com

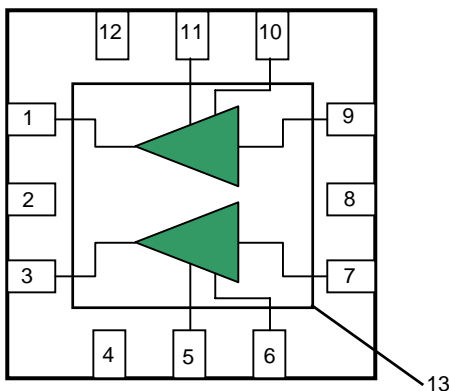
Revision C, October 18, 2005

802.11a/b/g Low Noise Amplifier Module

Schematic- TQM3M7001 Evaluation board



802.11a/b/g Low Noise Amplifier Module



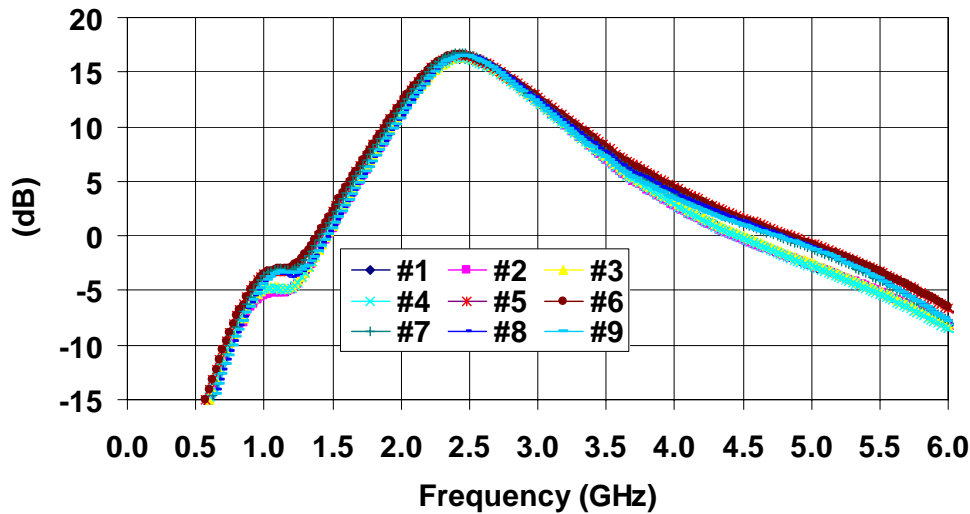
Pin Assignments

PIN	Symbol	Description
1	RF_OUT_52	RX output, 4.9-6GHz LNA
2	N/C	No Connect (Can be left open or grounded on board)
3	RF_OUT_24	RX output, 2.4GHz LNA
4	N/C	No Connect (Can be left open or grounded on board)
5	Vcc2	2.4GHz LNA Power Supply Voltage
6	LNA_ON_24	2.4GHz LNA Enable, Active High (H)
7	RF_IN_24	RX input, 2.4GHz LNA
8	N/C	No Connect (Can be left open or grounded on board)
9	RF_IN_52	RX input, 4.9-6GHz LNA
10	LNA_ON_52	4.9-6GHz LNA Enable, Active High (H)
11	Vcc1	4.9-6GHz LNA Power Supply Voltage
12	N/C	No Connect (Can be left open or grounded on board)
13	GND	Ground Paddle

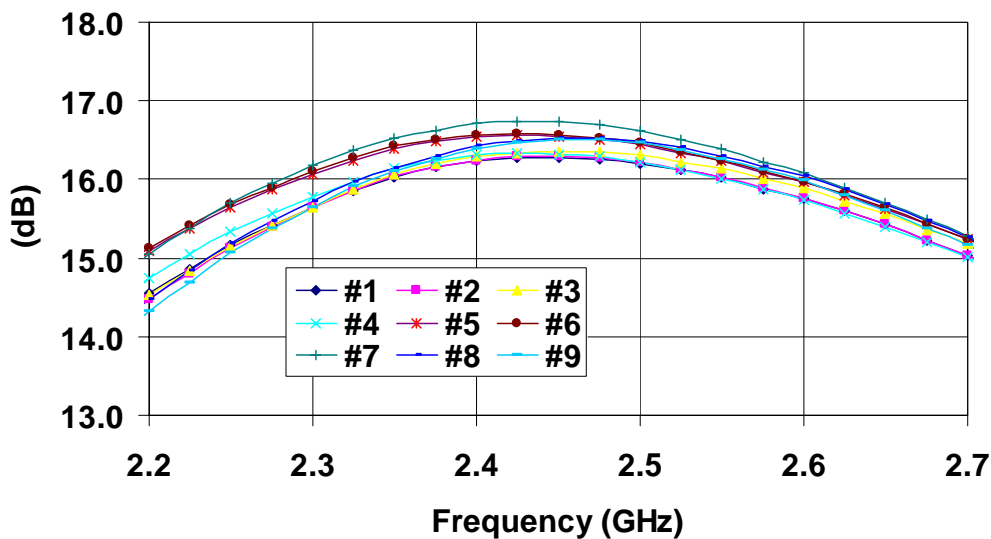
802.11a/b/g Low Noise Amplifier Module

*TQM3M7001 – Measured 2.4GHz Small Signal performance; in TriQuint Evaluation Board
Measurement Conditions: Ta = 25°C, Vcc1=Vcc2=3.3V, LNA_ON_24=H, LNA_ON_52=L*

2.4 GHz LNA Gain - Broadband (25C)



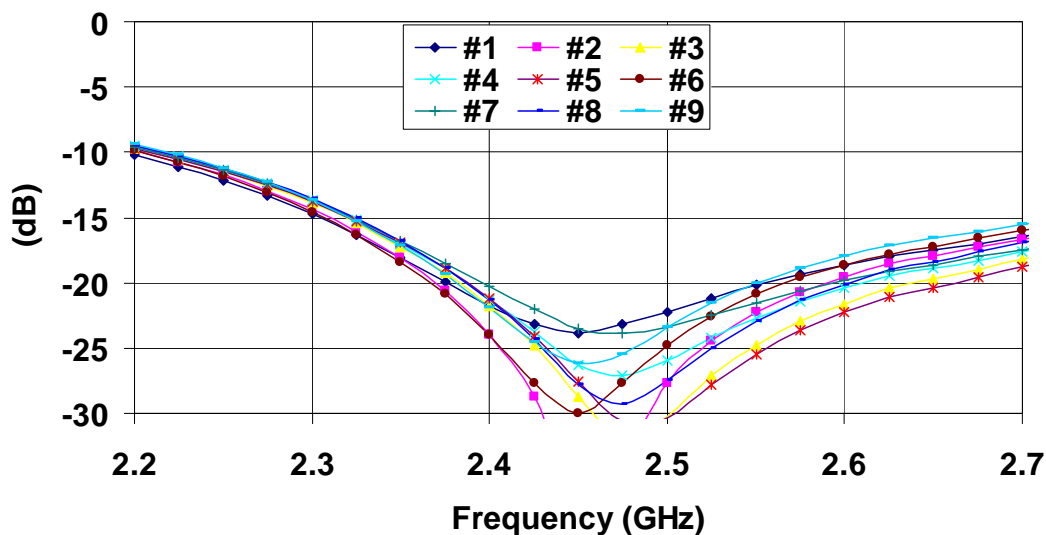
2.4 GHz LNA Gain (25C)



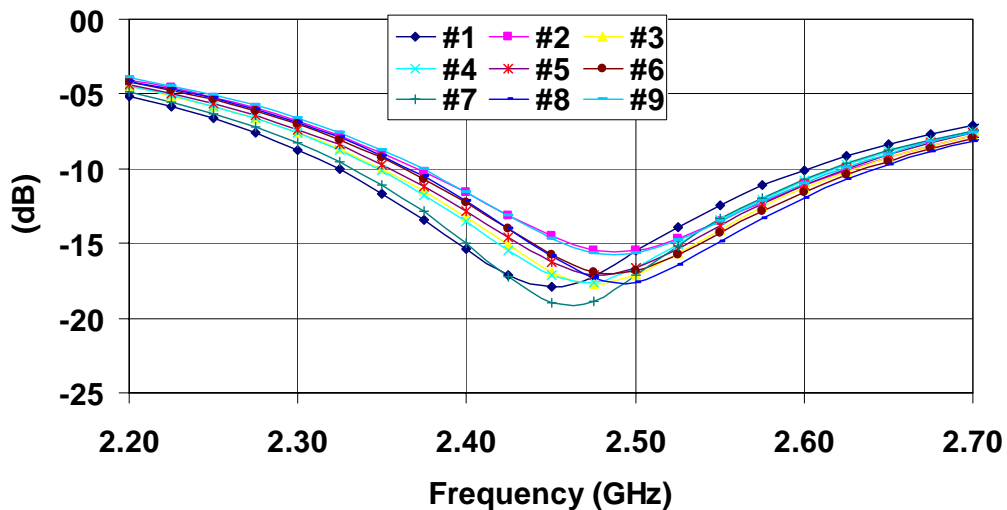
802.11a/b/g Low Noise Amplifier Module

*TQM3M7001 – Measured 2.4GHz Small Signal performance; in TriQuint Evaluation Board
Measurement Conditions: Ta = 25°C, Vcc1=Vcc2=3.3V, LNA_ON_24=H, LNA_ON_52=L*

2.4 GHz LNA Input Match (25C)



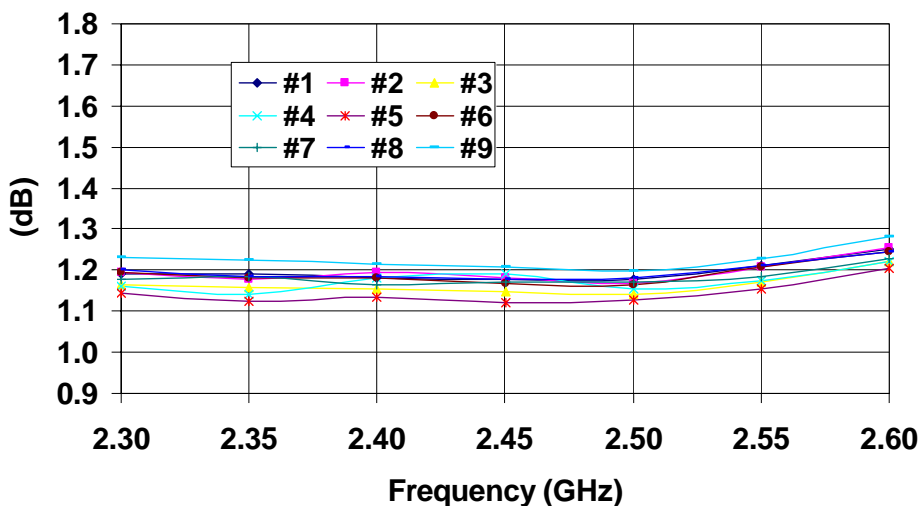
2.4 GHz LNA Output Match (25C)



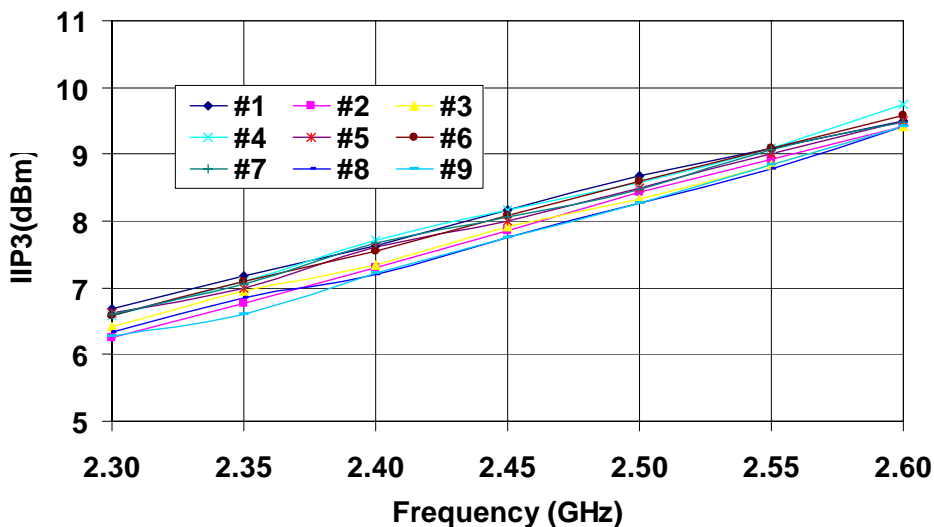
802.11a/b/g Low Noise Amplifier Module

TQM3M7001 – Measured 2.4GHz Small Signal performance; in TriQuint Evaluation Board
Measurement Conditions: $T_a = 25^\circ\text{C}$, $V_{cc1}=V_{cc2}=3.3\text{V}$, $LNA_ON_{24}=H$, $LNA_ON_{52}=L$

2.4 GHz LNA NF (25C)



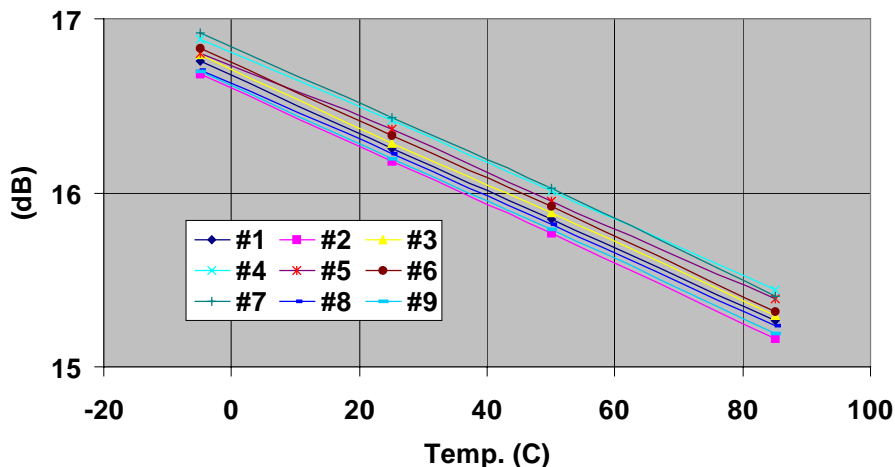
2.4 GHz LNA IIP3 (25C)



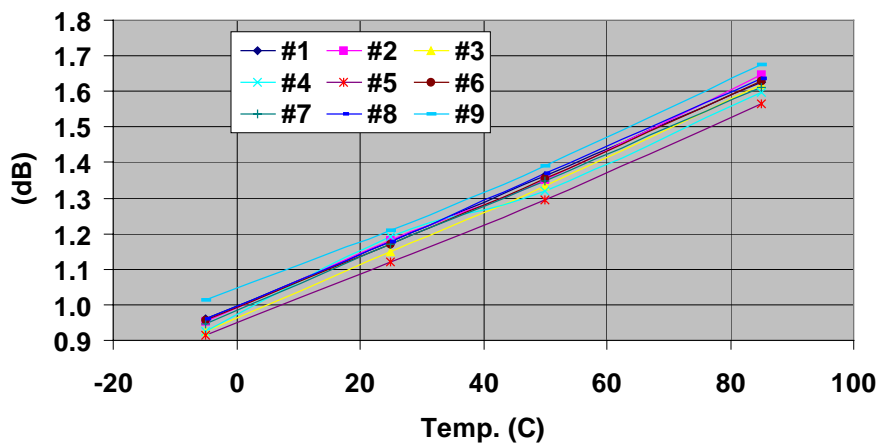
802.11a/b/g Low Noise Amplifier Module

TQM3M7001 – Measured 2.4GHz Small Signal performance; in TriQuint Evaluation Board
Measurement Conditions: Vcc1=Vcc2=3.3V, LNA_ON_24=H, LNA_ON_52=L

2.4 GHz LNA Gain Over Temp. at Volt=3.3 (2.45GHz)



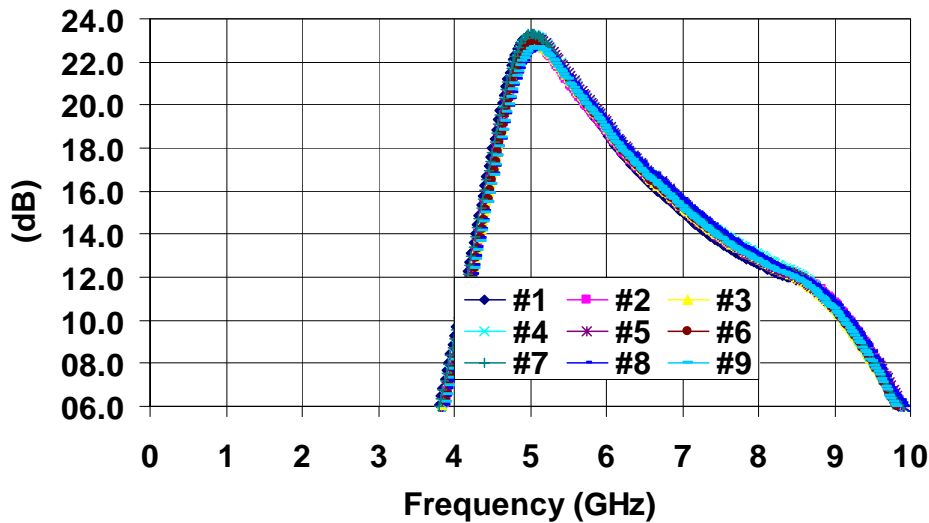
2.4 GHz LNA NF Over Temp. at Volt=3.3 (2.45GHz)



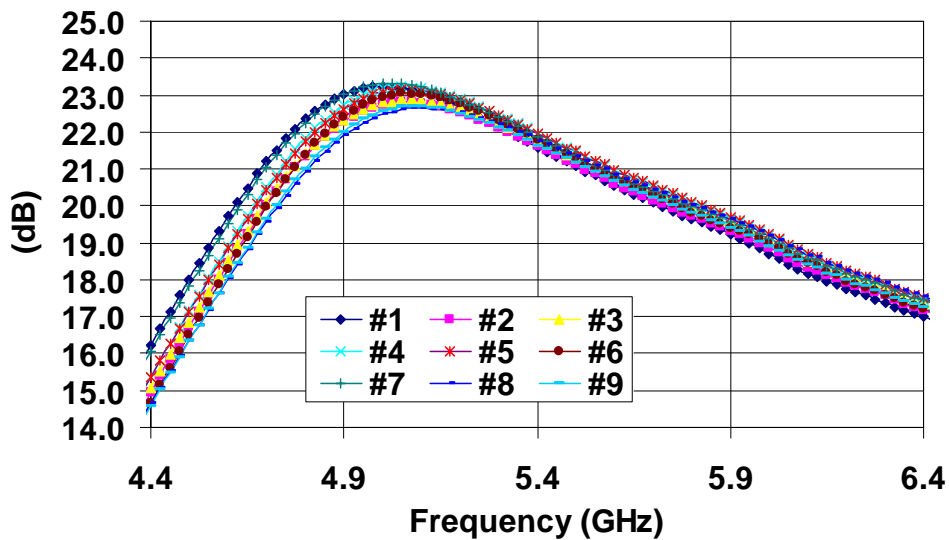
802.11a/b/g Low Noise Amplifier Module

*TQM3M7001 – Measured 5GHz Small Signal performance; in TriQuint Evaluation Board
Measurement Conditions: Ta = 25°C, Vcc1=Vcc2=3.3V, LNA_ON_24=L, LNA_ON_52=H*

5.2 GHz LNA Gain - Broadband (25C)



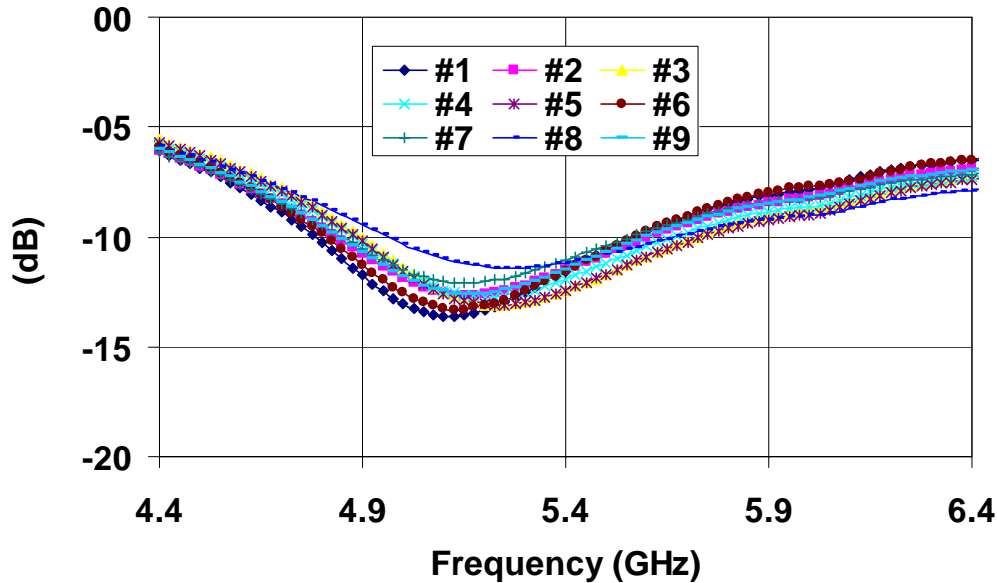
5.2 GHz LNA Gain (25C)



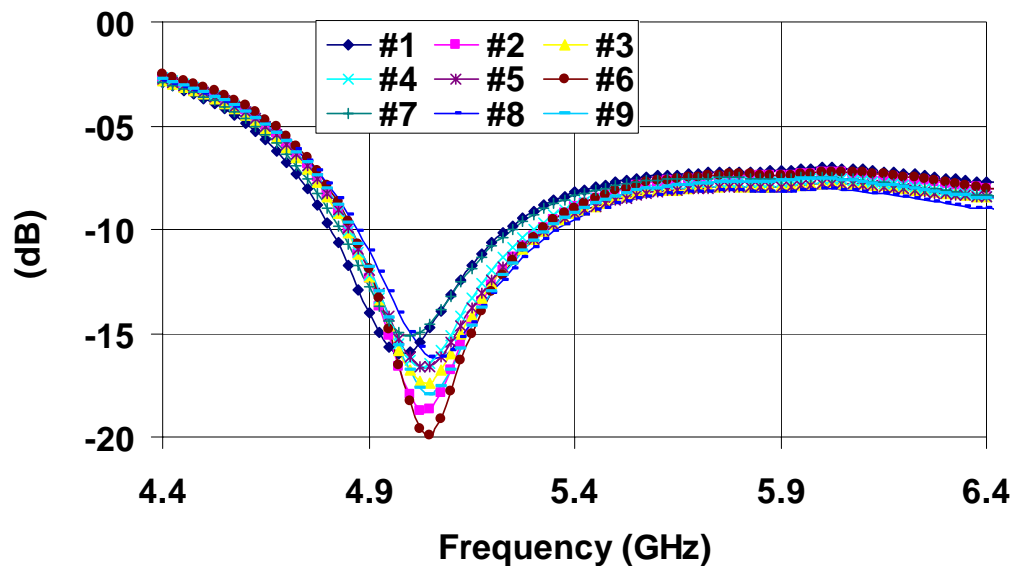
802.11a/b/g Low Noise Amplifier Module

*TQM3M7001 – Measured 5GHz Small Signal performance; in TriQuint Evaluation Board
Measurement Conditions: Ta = 25°C, Vcc1=Vcc2=3.3V, LNA_ON_24=L, LNA_ON_52=H*

5.2 GHz LNA Input Match (25C)



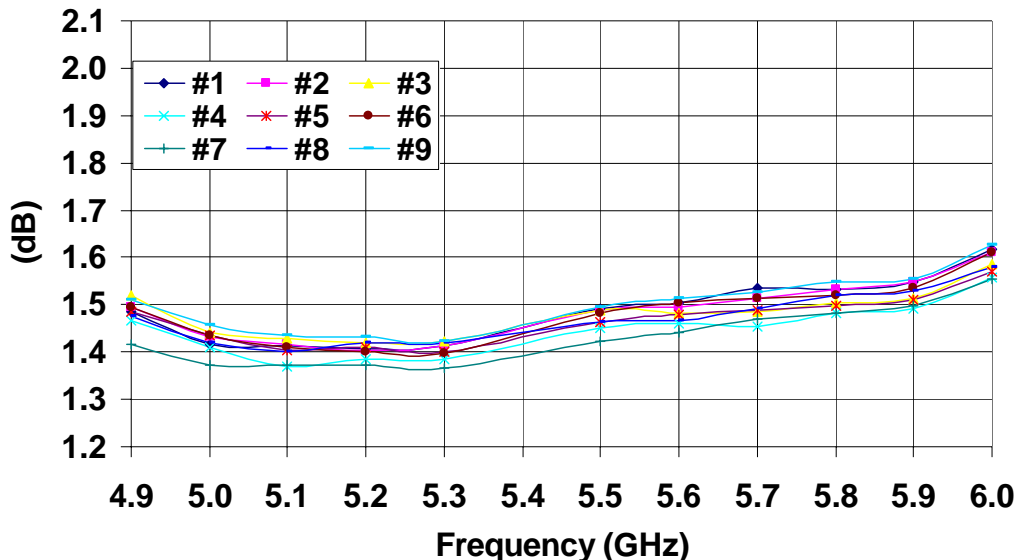
5.2 GHz LNA Output Match (25C)



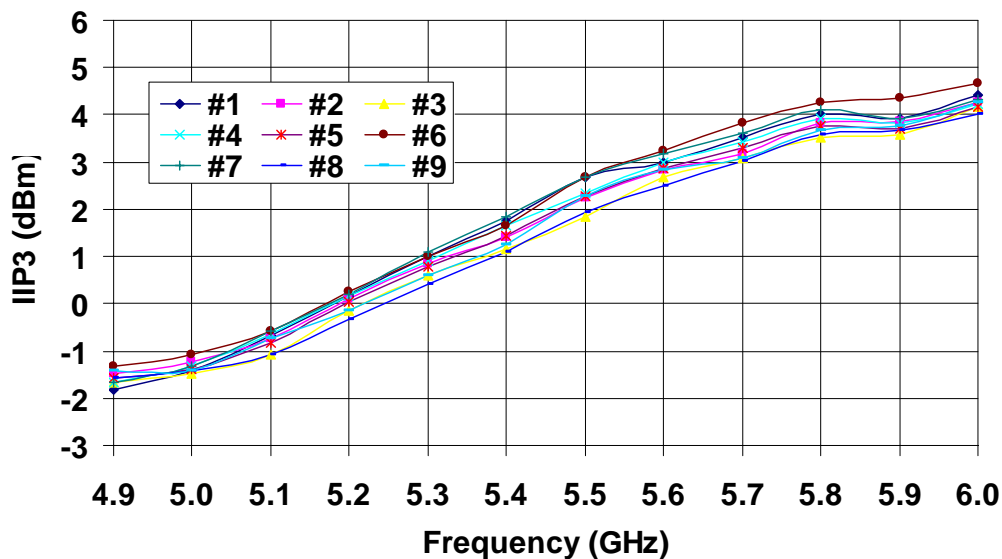
802.11a/b/g Low Noise Amplifier Module

TQM3M7001 – Measured 5GHz Small Signal performance; in TriQuint Evaluation Board
Measurement Conditions: $T_a = 25^\circ\text{C}$, $V_{cc1}=V_{cc2}=3.3\text{V}$, $LNA_ON_{24}=L$, $LNA_ON_{52}=H$

5.2 GHz LNA NF (25C)



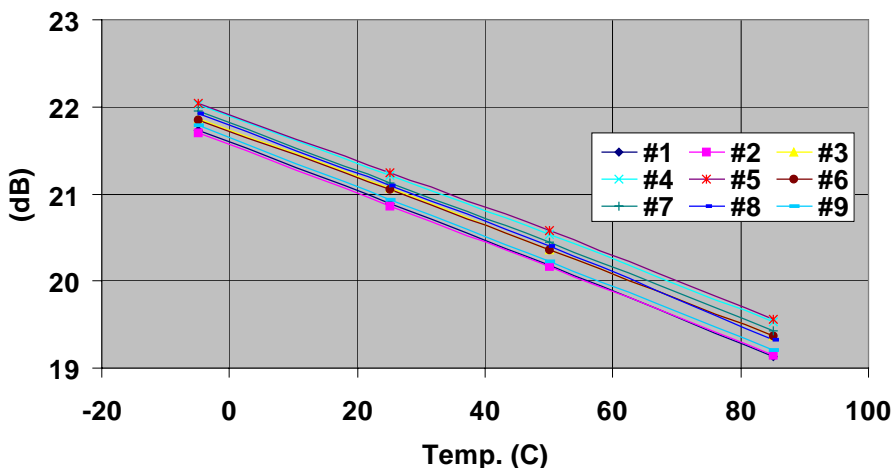
5.2 GHz LNA IIP3 (25C)



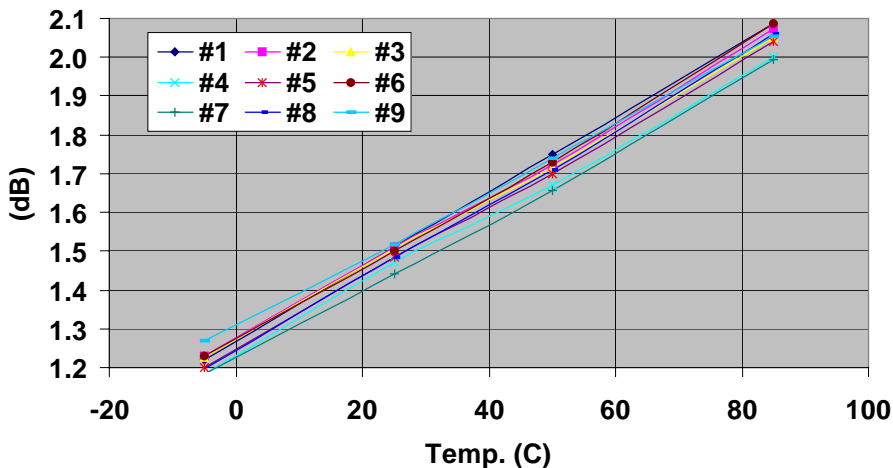
802.11a/b/g Low Noise Amplifier Module

TQM3M7001 – Measured 5GHz Small Signal performance; in TriQuint Evaluation Board
Measurement Conditions: Vcc1=Vcc2=3.3V, LNA_ON_24=L, LNA_ON_52=H

5.2 GHz LNA Gain Over Temp. at Volt=3.3 (5.5GHz)

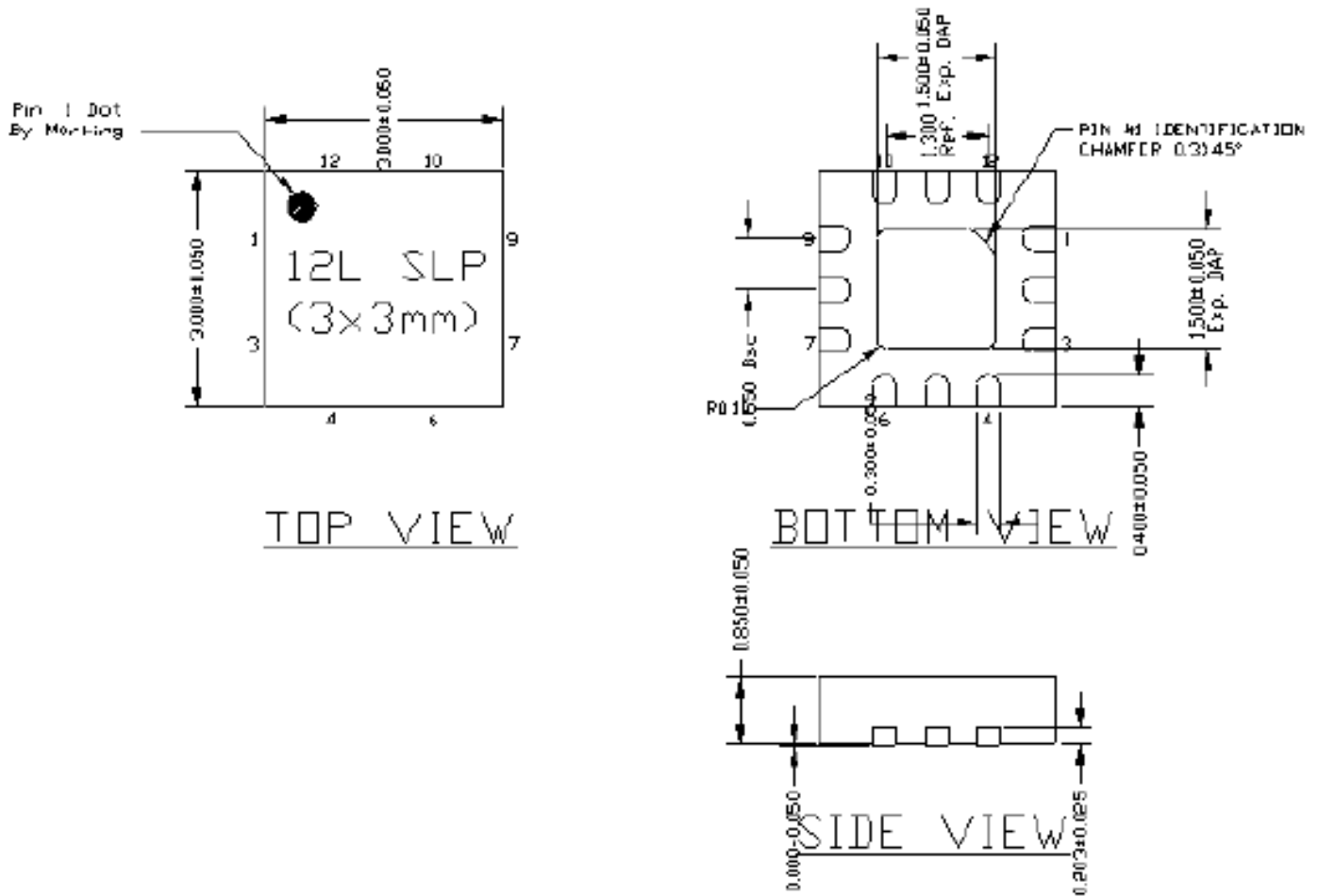


5.2 GHz LNA NF Over Temp. at Volt=3.3 (5.5GHz)

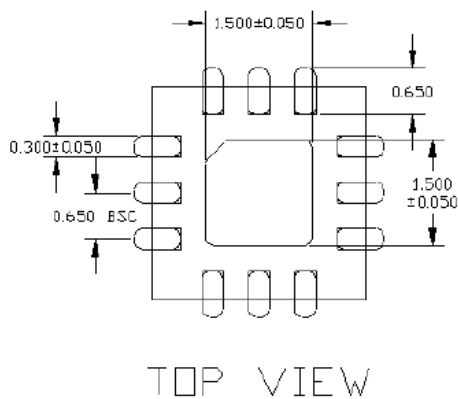


802.11a/b/g Low Noise Amplifier Module

Package Outline



Recommended Land Pattern



Data Sheet: Subject to change without notice

For additional information and latest specifications, see our website: www.triquint.com

Revision C, October 18, 2005

802.11a/b/g Low Noise Amplifier Module

Package Marking

Pin 1



Line 1: 3M71
Line 2: XXXX TriQuint Assembly Lot Number
Line 3: Manufacturing year and work week

Ordering Information:

Type	Marking	Package
TQM3M7001	3M71	VQFN-12

Caution: Electrostatic discharge sensitive. Observe handling Precautions!

1 For latest specifications, additional product information, worldwide sales and distribution locations, and information about TriQuint:

Web: www.triquint.com Tel: (503) 615-9000
Email: info_wireless@tqs.com Fax: (503) 615-8902

For technical questions and additional information on specific applications:

Email: info_wireless@tqs.com

The information provided herein is believed to be reliable; TriQuint assumes no liability for inaccuracies or omissions. TriQuint assumes no responsibility for the use of this information, and all such information shall be entirely at the user's own risk. Prices and specifications are subject to change without notice. No patent rights or licenses to any of the circuits described herein are implied or granted to any third party.

TriQuint does not authorize or warrant any TriQuint product for use in life-support devices and/or systems.

Copyright © 2004 TriQuint Semiconductor, Inc. All rights reserved 2005