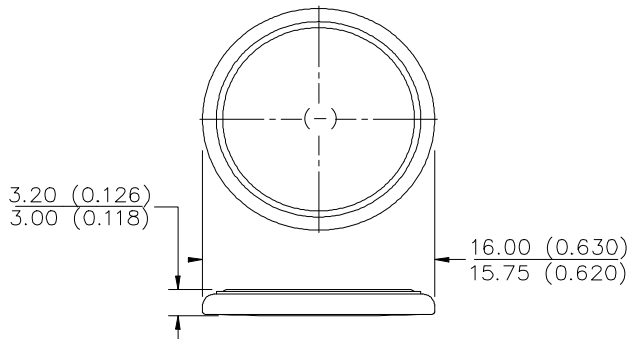


## ENERGIZER NO. CR1632



Industry Standard Dimensions in mm (inches)



**Chemical System:** Lithium / Manganese Dioxide (Li/MnO<sub>2</sub>)

**Battery Voltage:** 3.0 Volts  
**Average Weight:** 1.8 grams (0.06 oz.)  
**Volume:** 0.5 cubic centimeters (0.03 cubic inch)  
**Average Capacity:** 130 mAh to 2.0 volts  
 (Rated at 15k ohms continuous at 21°C)

**Maximum Reverse Charge Current:** 1 microampere  
**Energy Density:** 209 milliwatt hr/g, 754 milliwatt hr/cc

**TYPICAL DISCHARGE CURVE**  
 Simulated Test @ 21°C (70°F)



**Simulated Application Test**  
 Estimated Average Service at 21°C (70°F)

Schedule:	Typical Drains at 2.9V (microamperes)	Load (ohms)	Cutoff Voltage
			2.0V
24 hours/day	190	15,000	710 Hours

### Important Notice

This data sheet contains information specific to batteries manufactured at the time of its publication.

**Contents herein do not constitute a warranty.**

Copyright © Eveready Battery Co. Inc. - All Rights Reserved