

AZ DISPLAYS, INC.

1. MECHANICAL DATA

(1) Product No.	AGM3224V				
(2) Module Size	70.7 (W)mm X	90.2 (H)mm X	7.6 (D)mm		
(3) Dot Size	0.061 (W)mm X	0.215 (H)mm			
(4) Dot Pitch	0.076 (W)mm X	0.23 (H)mm			
(5) Number of Dots	240RGB(W) X	320 (H) Dots			
(6) Duty	1/320				
(7) LCD Display Mode	FSTN: Color STN Module				
	Rear Polarizer: Color Transmissive Type				
(8) Viewing Direction	6 O'clock				
(9) Backlight	CCFL				
(10) Touch Panel	Included				
(11) Weight	70.3g (Approx.)				

Date: June 22,2002

2. ABSOLUTE MAXIMUM RATINGS

(1) ELECTRICAL ABSOLUTE RATINGS

GND=0V

ITEM	SYMBOL	MIN	MAX	UNIT	COMMENT
Power Supply for Logic	VDD-VSS	-0.3	7.0	V	
Power Supply for LC Drive	VEE-VSS	-0.3	36.0	V	
Input Voltage	VI	-0.3	VDD+0.3	V	
Static Electricity	-	-	-	-	Note 1

(2) ENVIRONMENTAL ABSOLUTE MAXIMUM RATINGS

ITEM	NORMAL TEMP.			
	OPERATING		STORAGE	
	MIN.	MAX.	MIN.	MAX.
Ambient Temperature	0	50	-20	70
Humidity (Without Condensation)	Note 2,3		Note 2,4	

Note 1 LCM should be grounded during handling

Note 2 Background color will change slightly depending on ambient temperature.
This phenomenon is reversible.

Note 3 Ta ≤ 50°C : 85%RH max
Ta > 50°C : Absolute humidity must be lower
than the humidity of 85%RH at 50°C

Note 4 Ta at -20°C will be < 48hrs, at 70°C will be < 120hrs

3-1. ELECTRICAL CHARACTERISTICS

ITEM	SYMBOL	CONDITION	MIN.	TYP.	MAX.	UNIT		
Logic Circuit Power Supply	VDD-VSS	Ta= 25°C	3.0	3.3	3.6	V		
Input Voltage	VIH	H level	0.8VDD	-	VDD	V		
	VIL	L level	0	-	0.2VDD			
Recommended LCD Driving Voltage	VEE-VSS (Vop)	Duty=1/320 Bias=1/17	0°C	30.3	30.6	30.9	V	
			25°C	30.1	30.4	30.7		
			50°C	29.7	30.0	30.3		
Power Supply Current	IDD	VDD-VSS = 3.3V VEE-VSS = 30.4V Ta= 25°C	-	0.56	1.0	mA		
	IEE	PATTERN: <div style="display: flex; justify-content: space-around; font-size: 0.8em;"> □ ■ □ ■ □ ■ □ ■ ■ □ ■ □ ■ □ ■ □ </div>	-	0.53	1.0			
LCM	Surface Luminance	L	INVERTER INV-081 Vin=10.3V IL=1.5mArms	PATTERN: (Dots All On of White Color) <div style="display: flex; justify-content: space-around; font-size: 0.8em;"> □ □ □ □ □ □ □ □ </div>	-	80.5	-	cd/m ²
				PATTERN: (Dots All Off) <div style="display: flex; justify-content: space-around; font-size: 0.8em;"> ■ ■ ■ ■ ■ ■ ■ ■ </div>	-	5.0	-	
			INVERTER INV-081 Vin=8.6V IL=1.0mArms	PATTERN: (Dots All On of White Color) <div style="display: flex; justify-content: space-around; font-size: 0.8em;"> □ □ □ □ □ □ □ □ </div>	-	45.2	-	
				PATTERN: (Dots All Off) <div style="display: flex; justify-content: space-around; font-size: 0.8em;"> ■ ■ ■ ■ ■ ■ ■ ■ </div>	-	2.9	-	

3-2.ELECTRICAL CHARACTERISTICS OF BACKLIGHT

CCFL Rating

Temp.=25°C

ITEM	SYMBOL	MIN.	TYP.	MAX.	UNIT	REMARK
Lamp voltage	V _L	—	280	—	Vrms	—
Lamp current	I _L	—	1.5	—	mArms	—
Lamp power consumption	P _L	—	0.42	—	W	(*1)
Starting voltage	V _s	—	—	620	Vrms	—
Lamp frequency	F _L	—	45-50	—	KHz	—
Lamp life time	L _L	10000	—	—	hrs	IL = 1.5 mArms (*2)

(*1) Power consumption excluded inverter loss .

(*2) LED life time is defined as the time taken for the brightness to be reduced to 50% of its original value.

3-3.CHARACTERISTICS OF TOUCH SCREEN

Touch screen Rating

Temp.=25°C

ITEM	SYMBOL	CONDITION	MIN.	TYP.	MAX.	UNIT
Applied Rating Voltage	V_R	—	—	—	7.0	V
Operating Temperature	T_{OPR}	20%~85% R.H. Max. Avoid Dew Condensation at Any Time	0	—	50	°C
Storage Temperature	T_{STO}		-20	—	70	
Resistance of Terminal Electrodes	R_{ETD}	X Electrode	200	—	800	Ω
		Y Electrode	200	—	800	
Linearity	L	—	—	—	1.5	%
Insulation Resistance	R_{OFF}	$V_{DC} = 25V$	20	—	—	M Ω
Transparency	T	According to JIS-K7015	82	85	—	%
Surface Hardness	S_H	According to JIS-K5400	3	—	—	H

4. OPTICAL CHARACTERISTICS

4-1 Optical Characteristics of LCD

AT Vop

ITEM MODE		Cr(Contrast Ratio)						θ (Viewing Angle)		ϕ (Viewing Angle)	
		0°C		25°C		50°C		25°C		25°C	
		MIN.	TYP.	MIN.	TYP.	MIN.	TYP.	MIN.	TYP.	MIN.	TYP.
T	M	10.5	13.5	16	20	7.0	10	-	90	-	±54
note		NOTE 6						NOTE 5			

NOTE :

T: TRANSMISSION

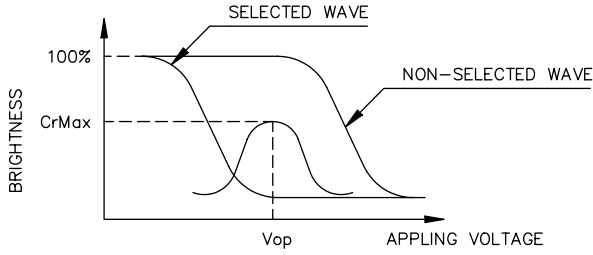
M: COLOR STN MODULE,
6 O'CLOCK **Viewing Direction** (NOTE 5)

AT $\phi=0^\circ$ $\theta=0^\circ$

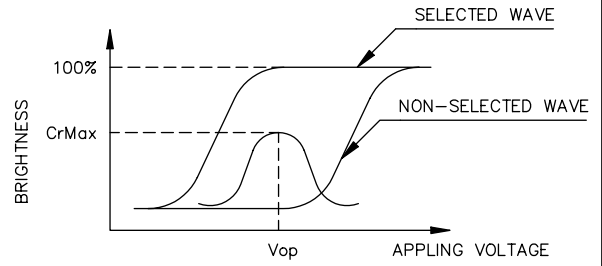
ITEM	SYMBOL	CONDITION	MIN.	TYP.	MAX.	UNIT	NOTE
Response Time (rise)	Tr	0°C	800	1000	1200	ms	NOTE 2
		25°C	340	420	500		
		50°C	270	340	410		
Response Time (fall)	Tf	0°C	360	450	540	ms	NOTE 2
		25°C	130	160	190		
		50°C	70	90	110		

(NOTE 1)

Definition of Operation Voltage(V_{op})



(positive type)



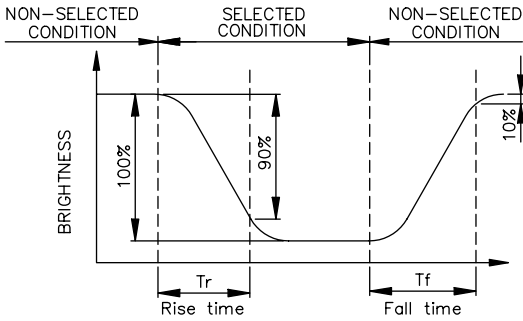
(negative type)

*Conditions

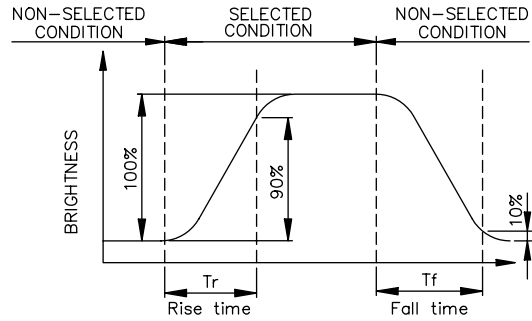
- Viewing Angle : 0
- Frame Frequency : 70Hz
- Applying Waveform : 1/N duty 1/a bias

(NOTE 2)

Definition of Response Time(T_r, T_f)



(positive type)



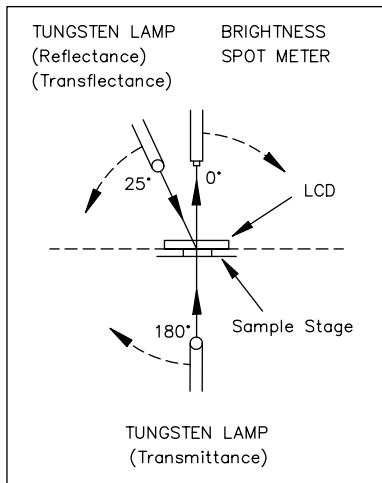
(negative type)

*Conditions

- Operating Voltage : V_{op}
- Viewing Angle (θ, θ) : (0,0)
- Frame Frequency : 70Hz
- Applying Waveform : 1/N duty 1/a bias

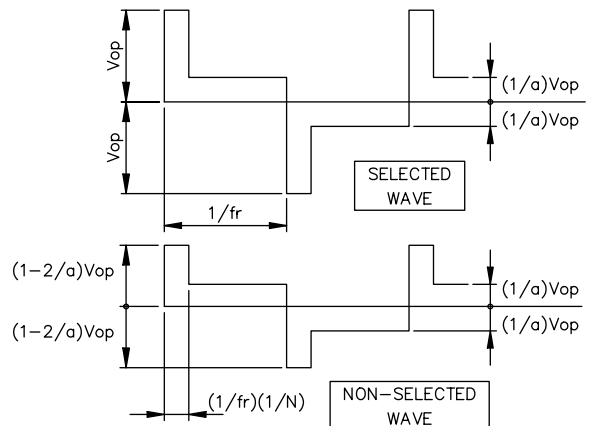
(NOTE 3)

Description of Measuring Equipment and Driving Waveforms



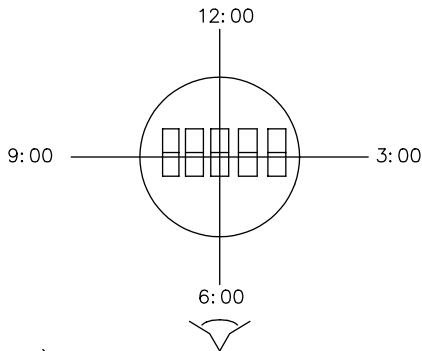
CONST.
TEMP.
CHAMBER

Multiplex Driving (1/N duty 1/a bias)



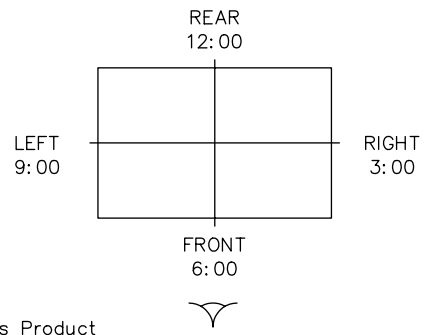
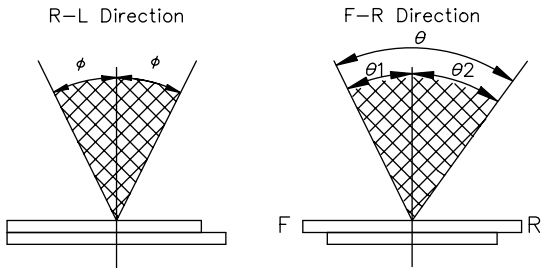
(NOTE 4)

Definition of Viewing Direction



(NOTE 5)

Definition of Viewing Angle



*For This Product
The Viewing Direction Is 6 O'clock
So $\theta_1 > \theta_2$

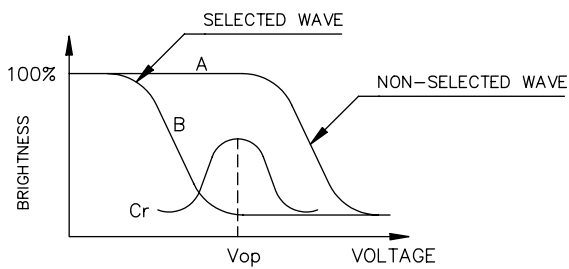
$$\theta = \theta_1 + \theta_2$$

*Conditions

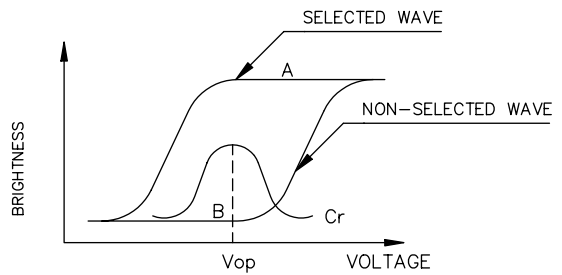
Operating Voltage : V_{op}
Frame Frequency : 70Hz
Applying Waveform : 1/N duty 1/a bias
Contrast Ratio : larger than 2

(NOTE 6)

Definition of Contrast Ratio (Cr)



(positive type)



(negative type)

$$\text{Contrast Ratio : } Cr = A/B$$

*Conditions

Viewing Angle : 0
Frame Frequency : 70Hz
Applying Waveform : 1/N duty 1/a bias

4-2 Color of CIE Coordinate

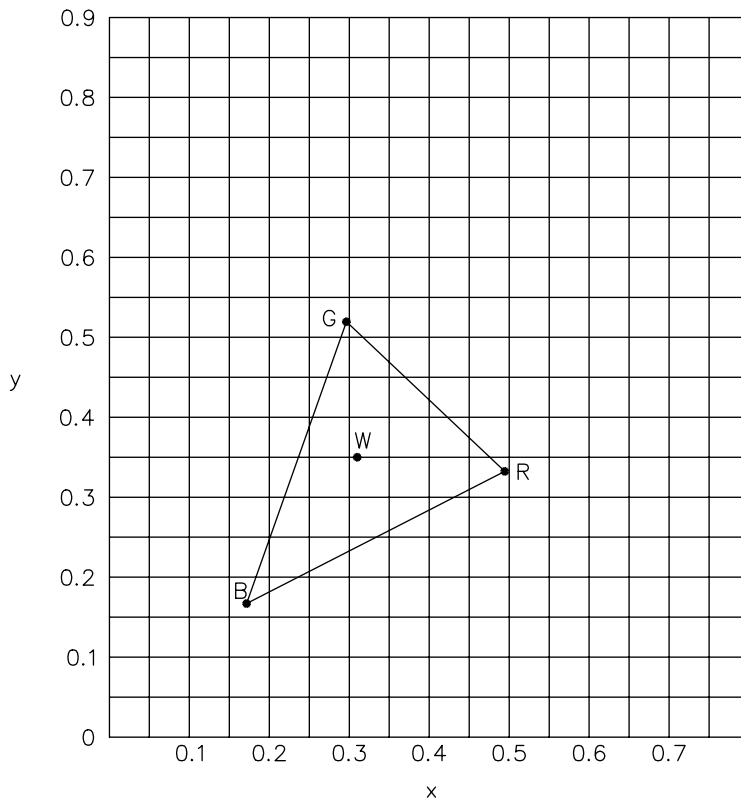
Ta = 25°C

ITEM		SYMBOL	CONDITION	VALUE	BRIGHTNESS (cd/m ²)	NOTE
Color of CIE Coordinate	Red	X	$\phi=0^\circ, \theta=0^\circ$	0.495	22.4	Fig.1
		y		0.332		
	Green	X		0.296	49.0	
		y		0.519		
	Blue	X		0.172	15.2	
		y		0.167		
	White	X		0.310	80.5	
		y		0.350		

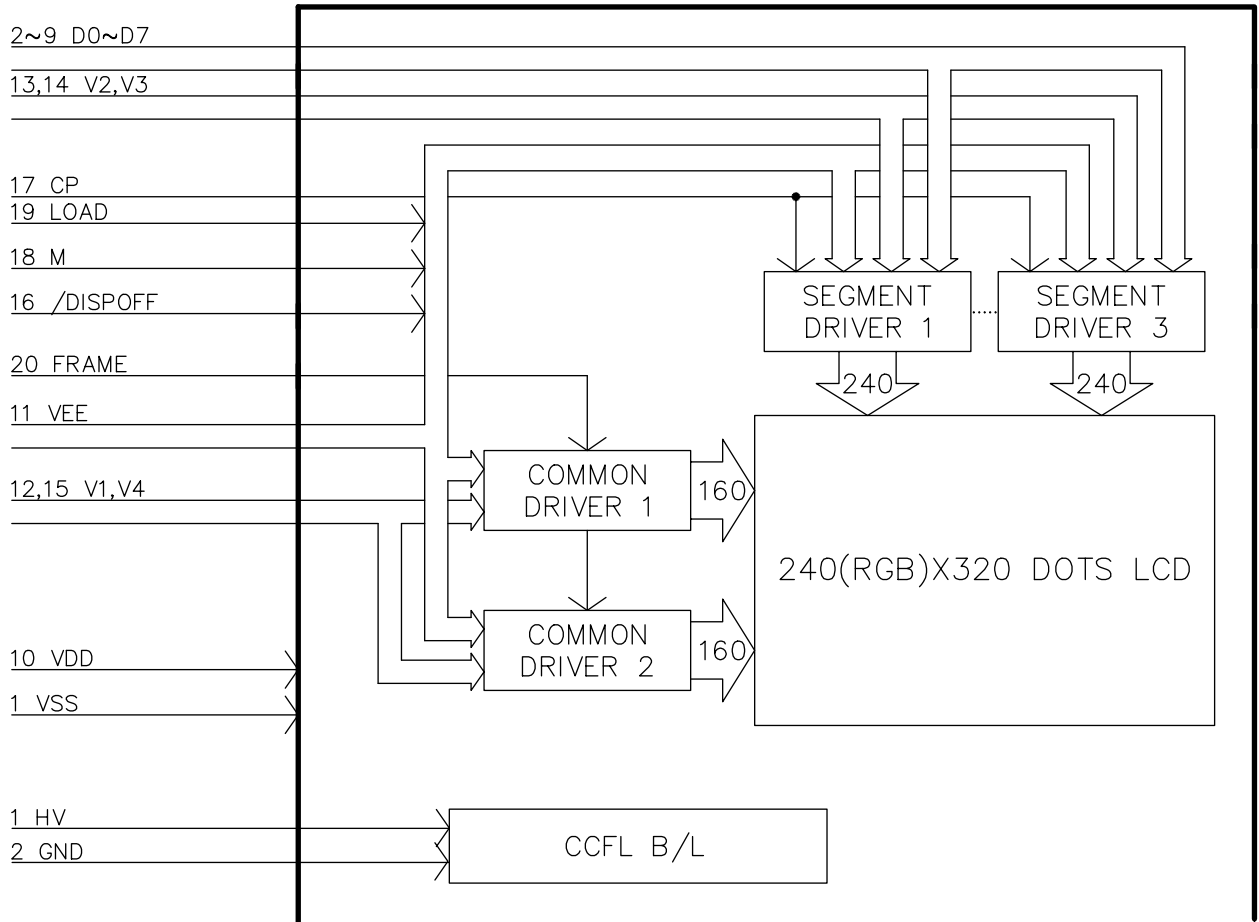
Tolerance : ±0.05

CIE chromaticity diagram

Fig.1



5. BLOCK DIAGRAM



Note :

- 1) Controller and bias voltage supply circuit are not included.
- 2) VEE, V1, V2, V3, V4 and VSS are power supply voltages for the LCD.
(VEE > V1 > V2 > V3 > V4 > VSS)

6. INTERNAL PIN CONNECTION

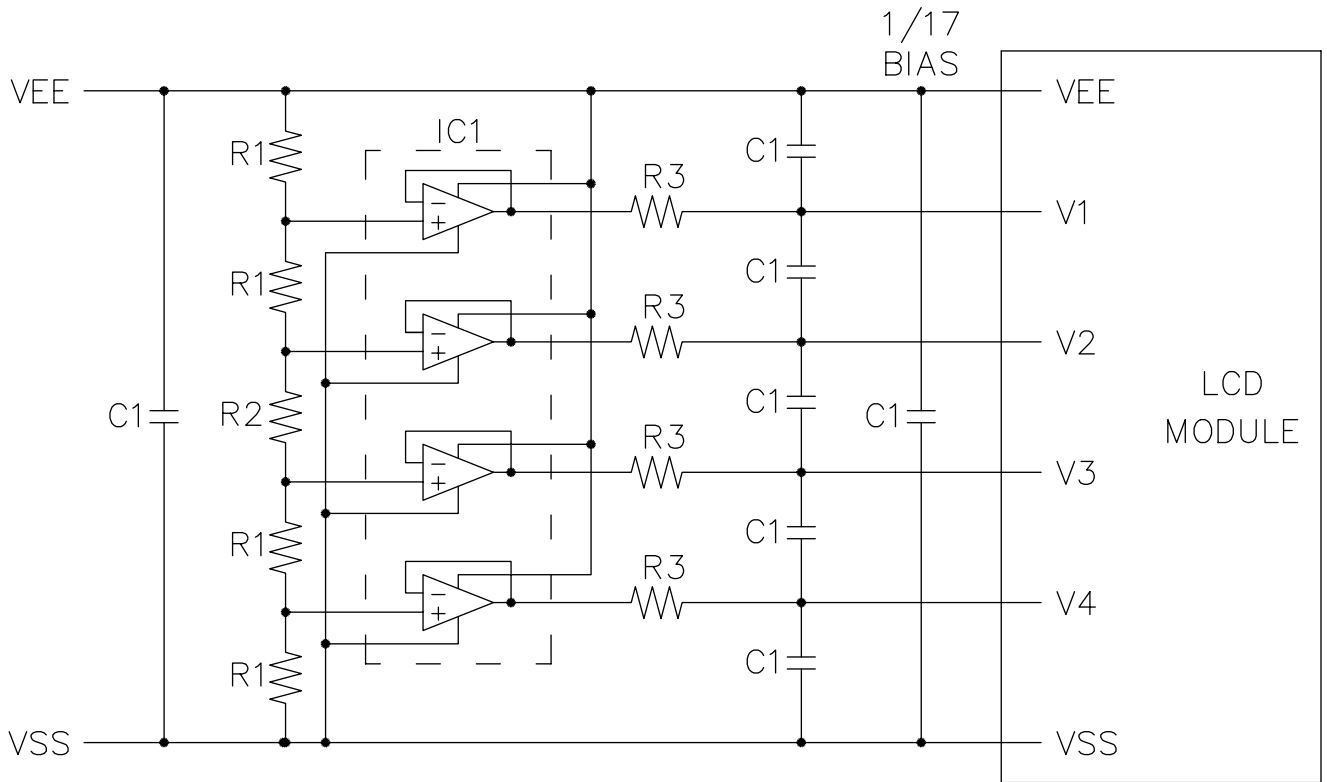
CN1 : (FPC) PITCH 0.5mm WIDTH 10.5mm

PIN NO.	SYMBOL	FUNCTION
1	VSS	Power Supply for Logic (GND) Power Supply for LCD (COM/SEG Selected Level)
2	D0	DISPLAY DATA
3	D1	DISPLAY DATA
4	D2	DISPLAY DATA
5	D3	DISPLAY DATA
6	D4	DISPLAY DATA
7	D5	DISPLAY DATA
8	D6	DISPLAY DATA
9	D7	DISPLAY DATA
10	VDD	Power Supply for Logic (+3.0V)
11	VEE	Power Supply for LCD (COM/SEG Selected Level)
12	V1	Power Supply for LCD (COM Non-Selected Level)
13	V2	Power Supply for LCD (SEG Non-Selected Level)
14	V3	Power Supply for LCD (SEG Non-Selected Level)
15	V4	Power Supply for LCD (COM Non-Selected Level)
16	$\overline{\text{DISPOFF}}$	Display Control L: off H: on
17	CP	Display Data Shift Clock
18	M	AC Signal for LC
19	LOAD	Display Data Latch Clock
20	FRAME	FRAME CLOCK

CN2 : BHSR-02VS-1(JST) (PIN1-HOT;PIN2-GND)

1	H.V.	Power Supply Voltage for CCFL
2	GND	CCFL GND

7. POWER SUPPLY



IC1 : LP324M(NATIONAL SEMICONDUCTOR)
 R1 : 22(KOHM) \pm 0.5%, R2 : 287(KOHM) \pm 2%, R3 : 4.7(OHM) \pm 5%
 C1 : 2.2-4.7(μ F)

8. TIMING CHARACTERISTICS

8-1. INTERFACE TIMING

VDD=3.0V±10%

Item	Symbol	Test condition	Min.	Typ.	Max.	Unit
CP Cycle Time	tC	Fig.a	82	—	—	ns
CP Pulse Width	tSWH,tSWL	Fig.a	28	—	—	ns
CP Rise/Fall Time	tCR,tCF	Fig.a	—	—	50	ns
Data Set Up Time	tDSU	Fig.a , Fig.b	100	—	—	ns
Data Hold Time	tDHD	Fig.a , Fig.b	30	—	—	ns
LOAD Cycle Time	tL	Fig.b	250	—	—	ns
LOAD "H" Pulse Width	tLWH	Fig.a , Fig.b	100	—	—	ns
LOAD Rise/Fall Time	tLR,tLF	Fig.b	—	—	30	ns
CP To LOAD Delay Time	tCL	Fig.a	30	—	—	ns
LOAD To CP Delay Time	tLC	Fig.a	—	—	200	ns
FRAME TO LOAD SETUP TIME	tFLS	Fig.b	30	—	—	ns
FRAME TO LOAD HOLD TIME	tFLH	Fig.b	50	—	—	ns

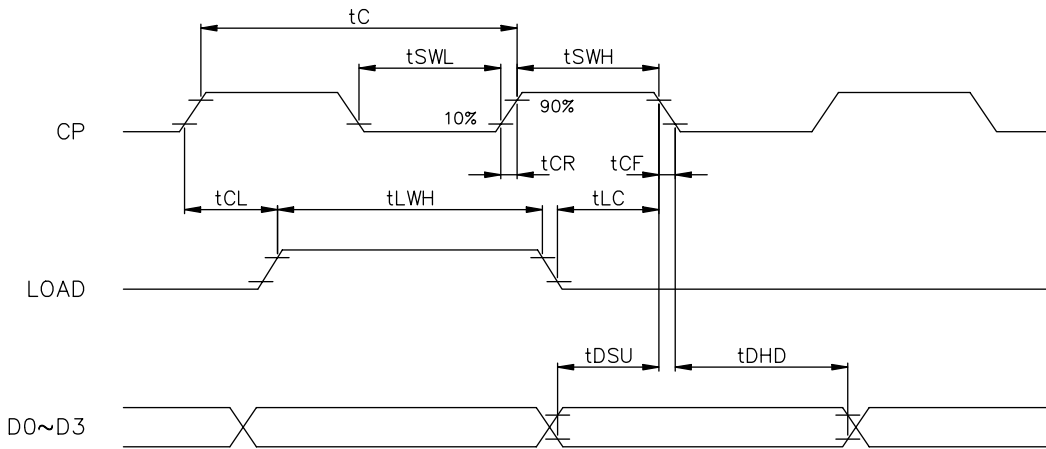


Fig . a Interface timing (SEGMENT)

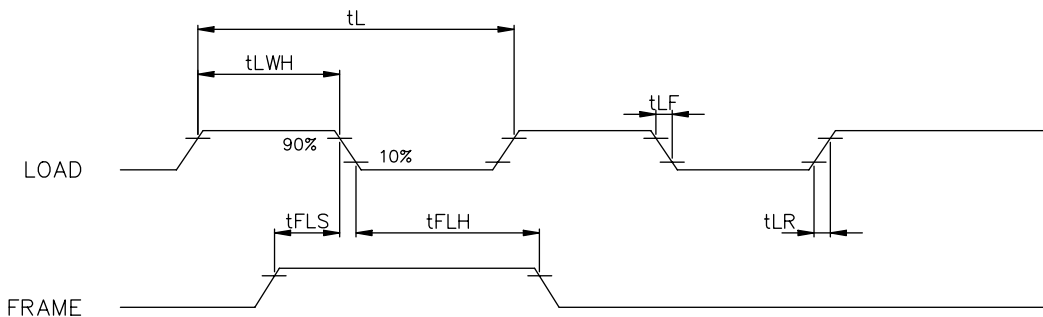
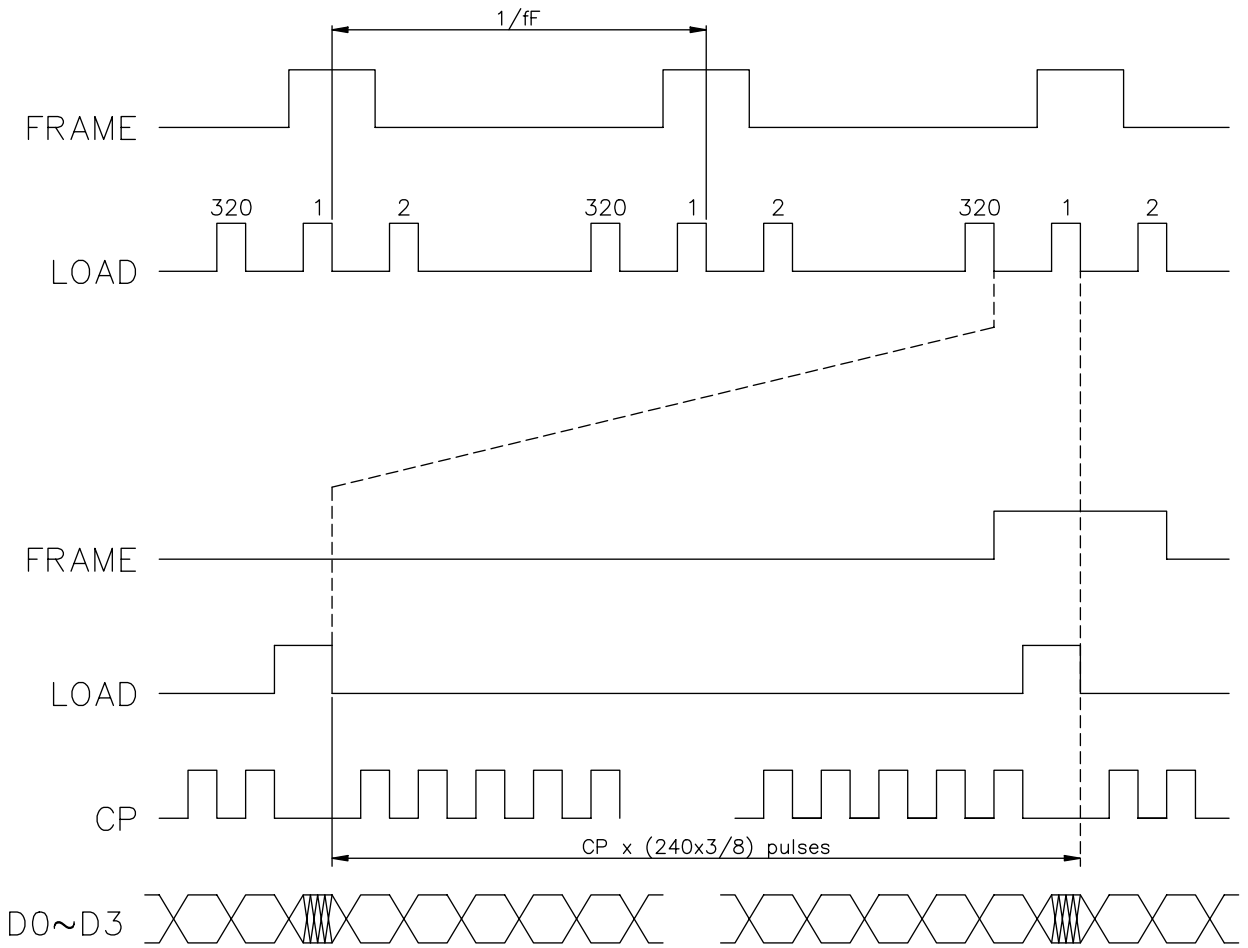
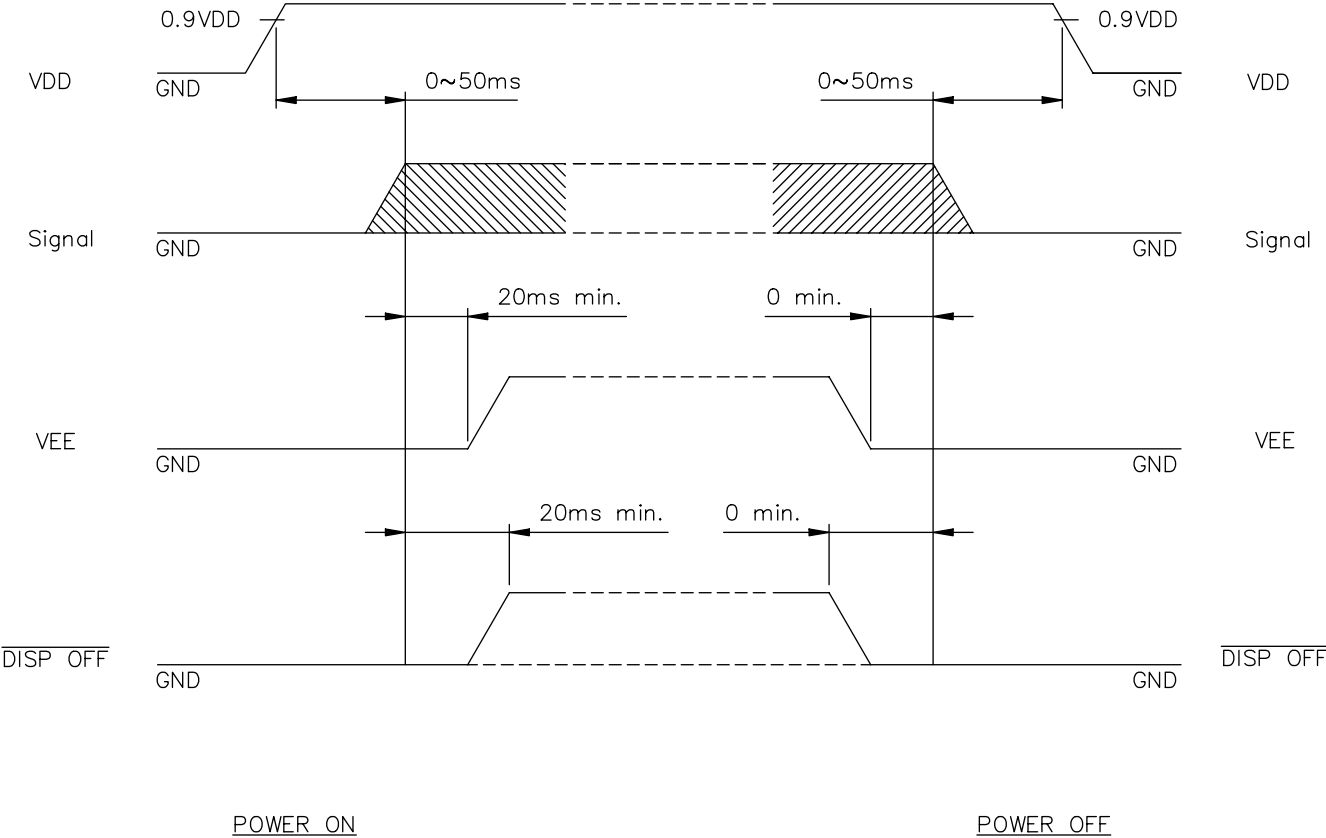


Fig . b Interface timing (COMMON)

8-2. TIMING CHART OF INPUT SIGNAL



8-3. POWER ON/OFF TIMING



Missing pixels may occur when the LCM is driven beyond the above power interface timing sequence.

8-4.DISPLAY PATTERN

