

The 4 wire interface between Subscriber Terminals and the Network Termination has been standardized by CCITT recommendation I.430. It uses a passive bus which provides separate receiver and transmit loops operating at 192 Kbits/s.

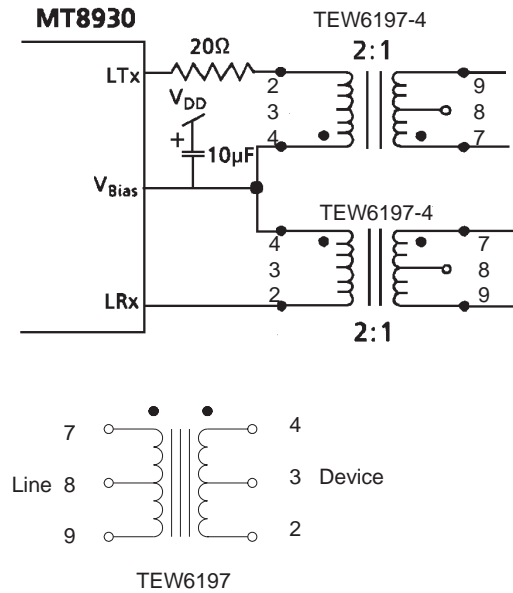
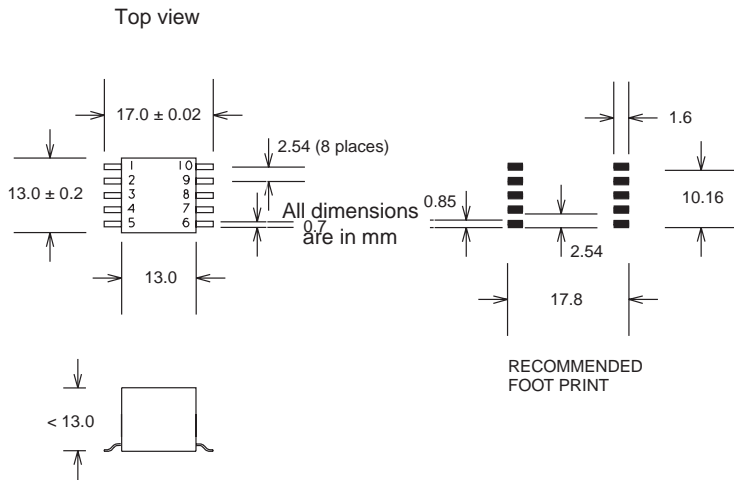
Two versions of TEW6197 have been designed and approved for use with the following devices:

TEW6197	Siemens	PEB2080 PEB2081 PEB2085 PEB2086
	AMD	Am79C30A
TEW6197-4	Mitel	MT8930A MT8930B MT8931B



(See schematic below for correct connections.)

MECHANICAL



ELECTRICAL

Device

TEW6197

TEW6197-4

PEB2080
PEB2085
PEB2086
Am79C30A

MT8930A
MT8930B
MT8931B

Turns ratio (7 - 9) : (4 - 2)

1 : 2

1 : 2

Inductance (7 - 9)

> 22 mH

> 22mH

Leakage Ind. (7 - 9)

< 12 µH

< 6.0 µH

DC Resistance (7 - 9)
(4 - 2)

1.0 Ω
9.0 Ω

3.2 Ω
6.3 Ω

Output Impedance

Conforms to the impedance mask specified in I.430

Pulse Characteristics

Conforms to the pulse mask specified in I.430

Dielectric Strength, (rms)

1500 V

1500 V