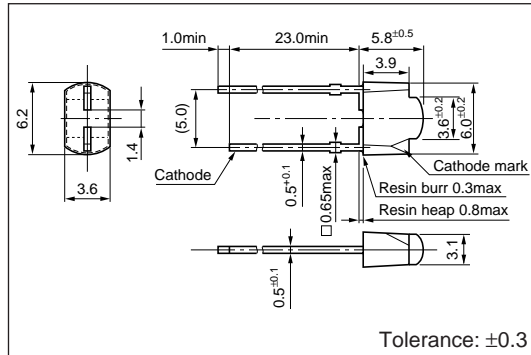


# 5-mm Pitch Lead Bow-shaped LED (Direct Mount)

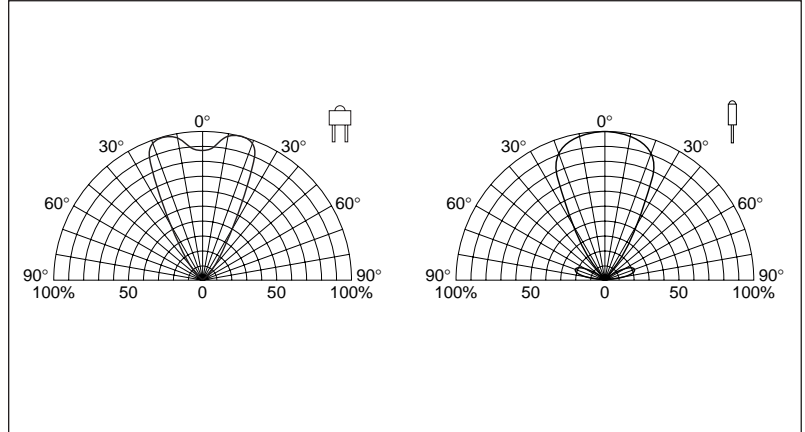
## SEL5023 Series

### External Dimensions

(Unit: mm)



### Directivity (Typical)



### Absolute maximum ratings (Ta=25°C)

Symbol	Unit	Rating				Condition
		GaP/GaAsP	AlGaInP	InGaN	GaN	
$I_F$	mA	30				
$\Delta I_F$	mA/°C	-0.45				Above 25°C
$I_{FP}$	mA	100			70	$f=1\text{kHz}, t_w \leq 100\mu\text{s}$
$V_R$	V	3	4	5		
Top	°C	-30 to +85		-25 to +80		
Tstg	°C	-30 to +100				

### Electrical Optical characteristics (Ta=25°C)

Emitting color	Part Number	Lens color	Forward voltage			Reverse current		Intensity		Peak wavelength		Spectrum half width		Chip material
			$V_F$ (V)		Condition	$I_R$ ( $\mu\text{A}$ )	Condition	$I_V$ (mcd)	Condition	$\lambda_P$ (nm)	Condition	$\Delta\lambda$ (nm)	Condition	
			typ	max	$I_F$ (mA)	max	$V_R$ (V)	typ	$I_F$ (mA)	typ	$I_F$ (mA)	typ	$I_F$ (mA)	
Red	SEL5223S	Transparent red	1.9	2.5	10	50	3	25	20	630	10	35	10	GaAsP
Amber	SEL5823A	Transparent orange	1.9	2.5	10	50	3	35	20	610	10	35	10	
Orange	SEL5923A	Transparent orange	1.9	2.5	10	50	3	35	20	587	10	33	10	
Yellow	SEL5723C	Clear	2.0	2.5	10	50	3	60	20	570	10	30	10	GaP
Green	SEL5423E	Transparent green	2.0	2.5	10	50	3	40	20	560	10	20	10	
Pure green	SEL5523C	Clear	2.0	2.5	10	50	3	13	20	555	10	20	10	
Blue	SEL5E23C	Clear	4.0	4.8	10	10	5	20	20	430	10	65	10	GaN

### ● Ultra-high-intensity series

Emitting color	Part Number	Lens color	Forward voltage			Reverse current		Intensity		Peak wavelength		Spectrum half width		Chip material
			$V_F$ (V)		Condition	$I_R$ ( $\mu\text{A}$ )	Condition	$I_V$ (mcd)	Condition	$\lambda_P$ (nm)	Condition	$\Delta\lambda$ (nm)	Condition	
			typ	max	$I_F$ (mA)	max	$V_R$ (V)	typ	$I_F$ (mA)	typ	$I_F$ (mA)	typ	$I_F$ (mA)	
Red	SELS5223C	Clear	2.0	2.5	10	100	4	100	20	635	10	15	10	AlGaInP
Amber	SELS5823C	Clear	2.0	2.5	10	100	4	130	20	615	10	15	10	
Amber	SELU5823C	Clear	2.0	2.5	10	100	4	185	20	615	10	15	10	
Light amber	SELS5B23C	Clear	2.0	2.5	10	100	4	135	20	600	10	15	10	
Orange	SELS5923C	Clear	2.0	2.5	10	100	4	145	20	590	10	15	10	
Yellow	SELU5723C	Clear	2.0	2.5	10	100	4	155	20	572	10	15	10	
Blue	SELU5E23C	Clear	3.6	4.0	10	10	5	110	10	470	10	35	10	InGaN