

# A<sup>2</sup>SI-Lite 14 / A<sup>2</sup>SI-Lite 16

Low End Device AS-Interface IC

## Features

- AS-i Complete Specification V2.11 compliant
- Integrated EEPROM
- Extended address mode operation as programmable option (up to 62 slaves)
- Dedicated IO-port structure: two data inputs, two data outputs, no parameter port pins
- Optional PWM outputs
- Integrated watchdog
- Temperature range -25°C to +85°C

## Description

A<sup>2</sup>SI-Lite (A<sup>2</sup>SI-L) is a monolithic CMOS integrated circuit certified for AS-i (Actuator Sensor-interface) networks. AS-i networks are intended for industrial automation. This integrated circuit is dedicated to be used as simplified interface IC for key control panels, simple sensors and small actuators.

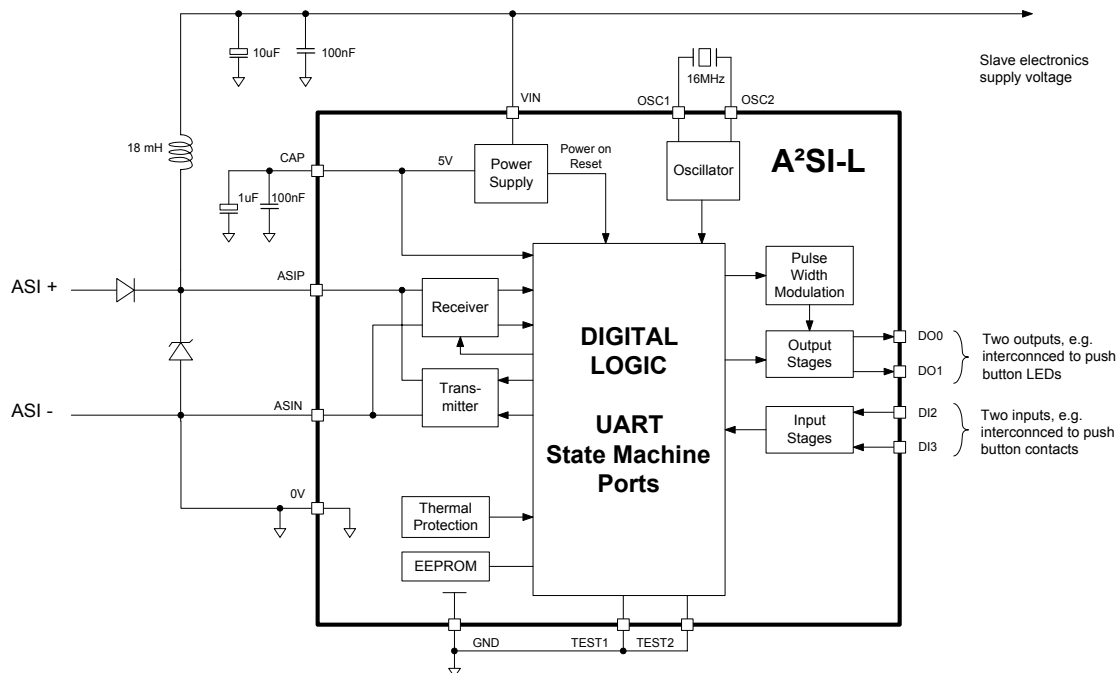
The main advantage of AS-i solutions is that actuators and sensors are connected using a two-wire unshielded cable that is easy to install. This cable transports both power and information/data.

AS-i network communication is based on the master-slave principle. The network can be extended (to cable lengths greater than 100m) by using the A<sup>2</sup>SI or A<sup>2</sup>SI-E in the repeater mode configuration.

AS-i is a standard for the automation industry based on IEC 62026-2 and EN 50295.

The device is available in a 14 and 16-pin SOP (150 mils) package.

## Block Diagram

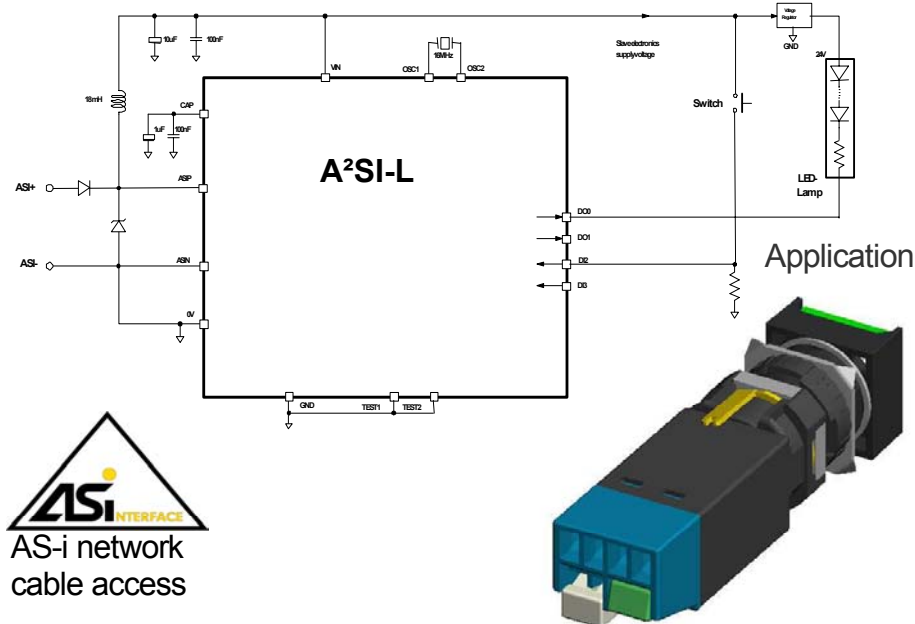


# A<sup>2</sup>SI-Lite 14 / A<sup>2</sup>SI-Lite 16

Low End Device AS-Interface IC

## Application

The AS-interface integrated circuit A<sup>2</sup>SI-L is dedicated for pushbutton and pilot light applications. In contrast to the integrated circuit A<sup>2</sup>SI-L16 (16-pin SOP package) the A<sup>2</sup>SI-L14 does not provide diagnostic pins.



Typical A<sup>2</sup>SI-Lite Pushbutton Application

## Ordering Information

| Ordering Code | Description                          | Operating Temperature Range | Package Type    | Shipping Form                      |
|---------------|--------------------------------------|-----------------------------|-----------------|------------------------------------|
| A2SI-L14-ST   | 14 pin version                       | -25°C to 85°C               | SOP14 (150 mil) | Tubes<br>(55 parts/tube)           |
| A2SI-L14-SR   | 14 pin version                       | -25°C to 85°C               | SOP14 (150 mil) | Tape-and-Reel<br>(2500 parts/reel) |
| A2SI-L16-ST   | 16 pin version<br>with FID / LED pin | -25°C to 85°C               | SOP16 (150 mil) | Tubes<br>(55 parts/tube)           |
| A2SI-L16-SR   | 16 pin version<br>with FID / LED pin | -25°C to 85°C               | SOP16 (150 mil) | Tape-and-Reel<br>(2500 parts/reel) |

### For further information:

ZMD AG

Grenzstrasse 28  
01109 Dresden, Germany  
Tel.: +49 (0)351.8822.366  
Fax: +49 (0)351.8822.337  
sales@zmd.de

ZMD America Inc.

201 Old Country Road, Suite 204  
Melville, NY 11747  
Tel.: (631) 549-2666  
Fax: (631) 549-2882  
sensors@zmda.com

WBC GmbH

Im Technologiepark 2-8  
D-85586 Poing  
Phone: +49 8121 775 155  
Fax: +49 8121 775 592  
juergen.dudda@wbc-europe.com