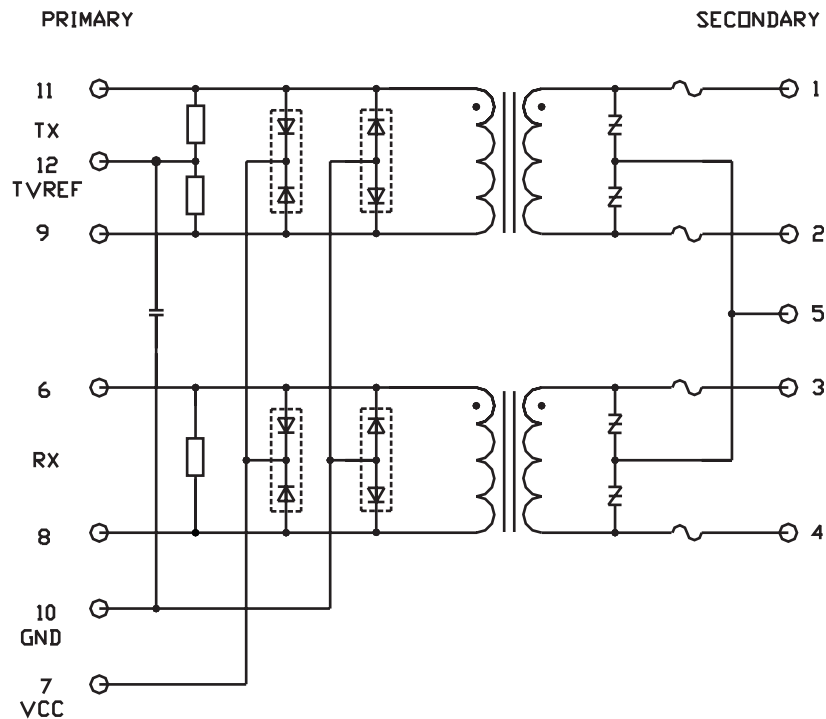


“Slim Line” Hybrid for PMC Sierra
0803-6500-03

FEATURES

- Supports PMC Sierra PM4351 and PMC4354 chipset for T1/E1 long and short haul applications,
- Minimum board space requirement - ideal for multiple interface line cards
- Protection circuit designed to meet Telcordia GR1089
- Designed to meet supplementary isolation 1500V, working voltage 250V of UL60950

SCHEMATIC





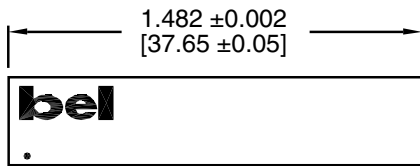
“Slim Line” Hybrid for PMC Sierra
0803-6500-03

SPECIFICATIONS @ 25° C

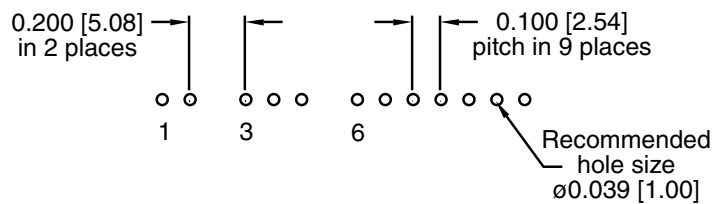
PMC Sierra Chipset	Application	Voltage	Protection	R x T/R	T x T/R
PMC4351 / 4354	T1/E1 (Z0 = 100/120 ohm)	3.3V	Longitudinal	2.42	2.42

MECHANICAL

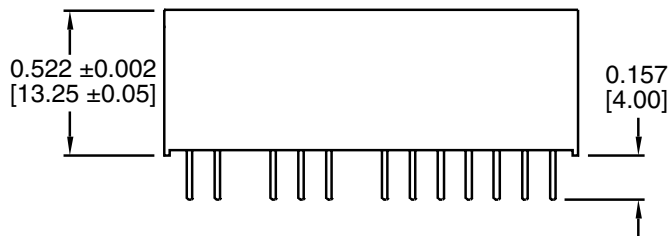
Top View



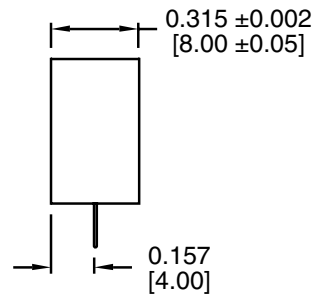
Recommended PCB Layout



Side View



End View



NOTE: ALL DIMENSIONS IN INCHES [MM]

©2004 Bel Fuse Inc. Specifications subject to change without notice. 05.26.04

CORPORATE

Bel Fuse Inc.
 206 Van Vorst Street
 Jersey City, NJ 07302
 Tel 201-432-0463
 Fax 201-432-9542
 www.belfuse.com

FAR EAST

Bel Fuse Ltd.
 8F / 8 Luk Hop Street
 San Po Kong
 Kowloon, Hong Kong
 Tel 852-2328-5515
 Fax 852-2352-3706
 www.belfuse.com

EUROPE

Bel Stewart Connector
 45/46 Riverside
 Medway City Estate
 Rochester, Kent ME2 4DP U.K.
 Tel 44-1634-722890
 Fax 44-1634-716677
 www.belfuse.com