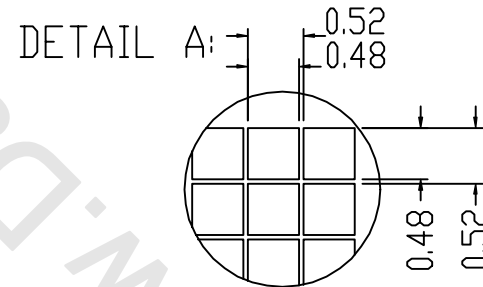
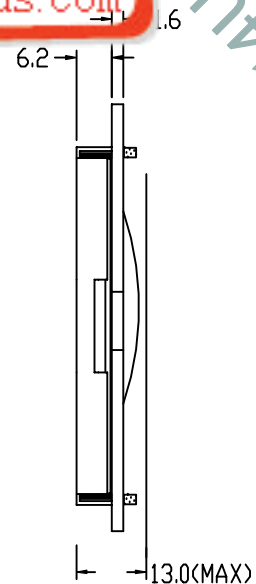
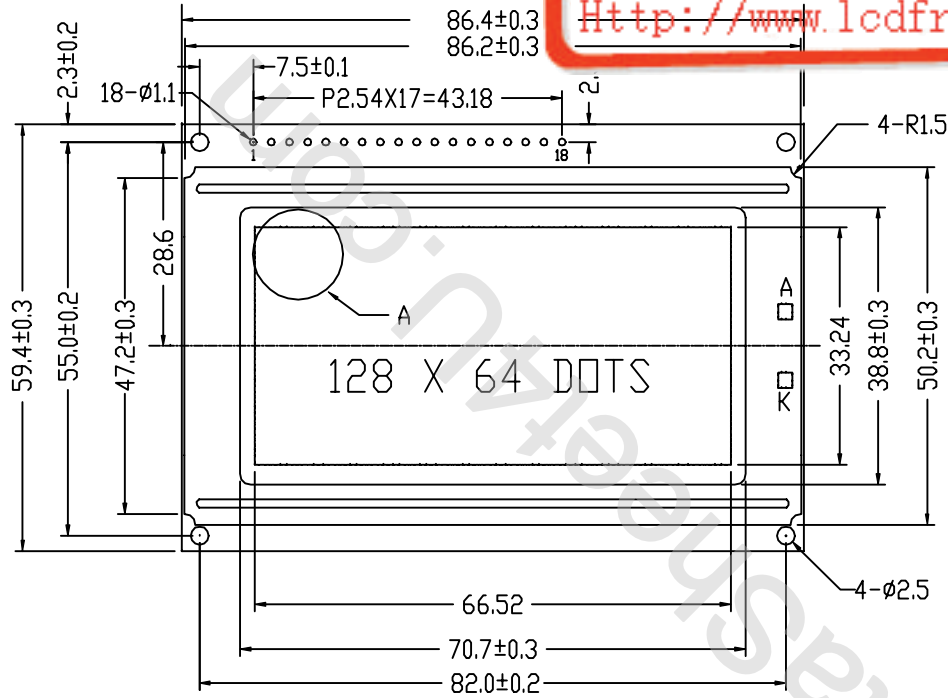


液晶之友 电话: 020-33819057
[Http://www.lcdfriends.com](http://www.lcdfriends.com)



1	2	3	4	5	6	7	8	9
VSS	VDD	V0	D/I	R/W	E	DB0	DB1	DB2
10	11	12	13	14	15	16	17	18
DB3	DB4	DB5	DB6	DB7	CS1	CS2	RST	Vout

NOTES:

- | | |
|---------------------------|------------------------|
| 1.DISPLAY TYPE: | STN/YELLOW MODE |
| 2.VIEWING DIRECTION: | 6:00 |
| 3.POLARIZER MODE: | TRANSFLECTIVE/POSITIVE |
| 4.OPERATING TEMP: | -10°C~+60°C |
| 5.STORAGE TEMP: | -30°C~+70°C |
| 6.DRIVE METHOD: | 1/64 DUTY 1/9 BIAS |
| 7.BACKLIGHT TYPE: | LED |
| 8.CONTRROLLER: | KS0108B |
| 9.LCD OPERATING VOLTAGE: | 13.0V |
| 10.BEZEL IS TO BE PAINTED | BLACK |
| 11.UNMARKED TOLERANCES: | ±0.3mm |



TIAN-MA MICROELECTRONICS CO.

22/F., HANGDU Building, Shennan Road, Central, Shenzhen, China

DRAWN BY:	TITLE: M12864BBCW6	
CHECKED BY:	DWG NO: G-1	
APPROVED BY:	DWG NAME: TM12864BBCW6-1	SCALE: UNIT: mm
CONFIRMED BY:	SHEET NO: 0F	