

TOSHIBA Bipolar Linear Integrated Circuit Silicon Monolithic

TA2151FN

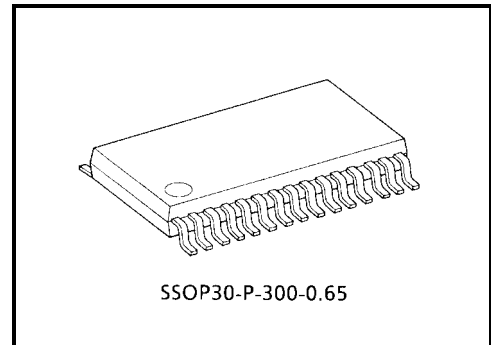
RF Amplifier for Digital Servo CD System

TA2151FN is a 3-beam type PUH compatible RF Amplifier for Digital Servo to be used in the CD system.

In combination with a CMOS single chip processor TC9462F/TC9495F, a CD system can be composed very simply.

Features

- Built-in amplifier for reference (VRO, 2VRO) supply.
- Built-in Auto Laser Power Control circuit.
- Built-in RF amplifier.
- Built-in AGC amplifier.
- Built-in focus error amp and tracking error amp.
- Built-in gain change circuit for CD-RW.
- Capable of tracking balance control with TC9462F/TC9495F.
- Built-in signal amplifier for track counter.
- Capable of 4 times speed operation.
- 30 pin mini flat package.



Weight: 0.17 g (typ.)

Pin Function

Pin No.	Symbol	I/O	Functional Description	Remarks													
1	V _{CC}	—	Power supply input terminal.	—													
2	RFGC	I	RF amplitude adjustment control signal input terminal. Controlled by 3-PWM signals. (PWM carrier = 88.2 kHz) RFGC input voltage: V _{RO} ± 1.5 V AGC amplifier voltage gain: ×0.7~1.5 (typ.)	—													
3	VRIN	I	AGC amp. Reference voltage input terminal.	Connected to V _{RO}													
4	FNI	I	Main beam I-V amp input terminal.	Connected to pin diode output B + D (through resistor).													
5	FPI	I	Main beam I-V amp input terminal.	Connected to pin diode output A + C (through resistor).													
6	TPI	I	Sub beam I-V amp input terminal.	Connected to pin diode output F.													
7	TNI	I	Sub beam I-V amp input terminal.	Connected to pin diode output E.													
8	MDI	I	Monitor photo diode amp input terminal.	Connected to monitor photo diode.													
9	LDO	O	Laser diode amp input terminal.	Connected to laser diode control circuit.													
10	SEL	I	Laser diode control signal input terminal and APC circuit ON/OFF control signal terminal. <table border="1" data-bbox="539 1025 1121 1245"> <thead> <tr> <th>SEL Level</th> <th>APC Circuit</th> <th>LDO</th> <th>Detect Frequency</th> </tr> </thead> <tbody> <tr> <td>GND</td> <td>OFF</td> <td>Connected to V_{CC} through resistor (1 kΩ)</td> <td rowspan="2">Low</td> </tr> <tr> <td>HiZ</td> <td rowspan="2">ON</td> <td rowspan="2">Control signal output</td> </tr> <tr> <td>V_{CC}</td> <td>High</td> </tr> </tbody> </table>	SEL Level	APC Circuit	LDO	Detect Frequency	GND	OFF	Connected to V _{CC} through resistor (1 kΩ)	Low	HiZ	ON	Control signal output	V _{CC}	High	3 signals input. (V _{CC} , HiZ, GND)
SEL Level	APC Circuit	LDO	Detect Frequency														
GND	OFF	Connected to V _{CC} through resistor (1 kΩ)	Low														
HiZ	ON	Control signal output															
V _{CC}			High														
11	TEB	I	Tracking error balance adjustment signal input terminal. Controlled by 3-PWM signal. (PWM carrier = 88.2 kHz)	3 signals input. (2V _{RO} , V _{RO} , GND)													
12	2V _{RO}	O	Reference voltage (2V _{RO}) output terminal. 2V _{RO} = 4.2 V when V _{CC} = 5 V	—													
13	TEN	I	TE amp negative input terminal.	Connected to TEO through feedback resistor.													
14	TEO	O	TE error signal output terminal.	—													
15	RFDC	O	RF signal peak detect output terminal.	—													
16	FEO	O	Focus error signal output terminal.	—													
17	FEN	I	FE amp negative input terminal.	Connected to FEO through feedback resistor.													
18	SEB	I	RFRP output circuit switching terminal. <table border="1" data-bbox="646 1758 1015 1912"> <thead> <tr> <th>SEB Level</th> <th>Bottom Detection</th> <th>Peak Detection</th> </tr> </thead> <tbody> <tr> <td>GND</td> <td>ON</td> <td rowspan="2">ON</td> </tr> <tr> <td>V_{CC}</td> <td>OFF</td> </tr> </tbody> </table>	SEB Level	Bottom Detection	Peak Detection	GND	ON	ON	V _{CC}	OFF	Low (GND) is for normal use.					
SEB Level	Bottom Detection	Peak Detection															
GND	ON	ON															
V _{CC}	OFF																
19	V _{RO}	O	Reference voltage (V _{RO}) output terminal. V _{RO} = 2.1 V when V _{CC} = 5 V	—													

Pin No.	Symbol	I/O	Functional Description	Remarks							
20	RFRP	O	Track count signal output terminal.	—							
21	BTC	I	Time constant adjustment terminal for bottom detection.	Adjusted by capacitance.							
22	RFCT	O	RFRP signal center level output terminal.	—							
23	PKC	I	Time constant adjustment terminal for peak detection.	Adjusted by capacitance.							
24	RFRPIN	I	Input terminal for track count signal output amp.	—							
25	RFGO	O	Output terminal for RF signal amplitude adjustment amp.	—							
26	GVSW	I	Amp (FE, TE) gain switching terminal.	Low (GND) is for 5 times gain.							
			<table border="1" style="margin-left: auto; margin-right: auto;"> <thead> <tr> <th>GVSW</th> <th>Mode</th> </tr> </thead> <tbody> <tr> <td>GND</td> <td>CD-RW</td> </tr> <tr> <td>HiZ</td> <td rowspan="2">Normal</td> </tr> <tr> <td>V_{CC}</td> </tr> </tbody> </table>		GVSW	Mode	GND	CD-RW	HiZ	Normal	V _{CC}
			GVSW		Mode						
			GND		CD-RW						
HiZ	Normal										
V _{CC}											
27	AGCIN	I	Input terminal for RF signal amplitude adjustment amp.	Connected to RFO through capacitance.							
28	RFO	O	Output terminal for RF signal amp.	—							
29	GND	—	Ground terminal.	—							
30	RFN2	I	Input terminal for RF signal amp.	—							

Maximum Ratings (Ta = 25°C)

Characteristics	Symbol	Rating	Unit
Power supply voltage	V _{CC}	8	V
Power dissipation	P _D	500	mW
Operating temperature	T _{opr}	-40~85	°C
Storage temperature	T _{stg}	-55~150	°C

Electrical Characteristics

(unless otherwise specified, $V_{CC} = 5\text{ V}$, $T_a = 25^\circ\text{C}$, $R_{FGC} = V_{CC}$, $G_{VSW} = V_{CC}$)

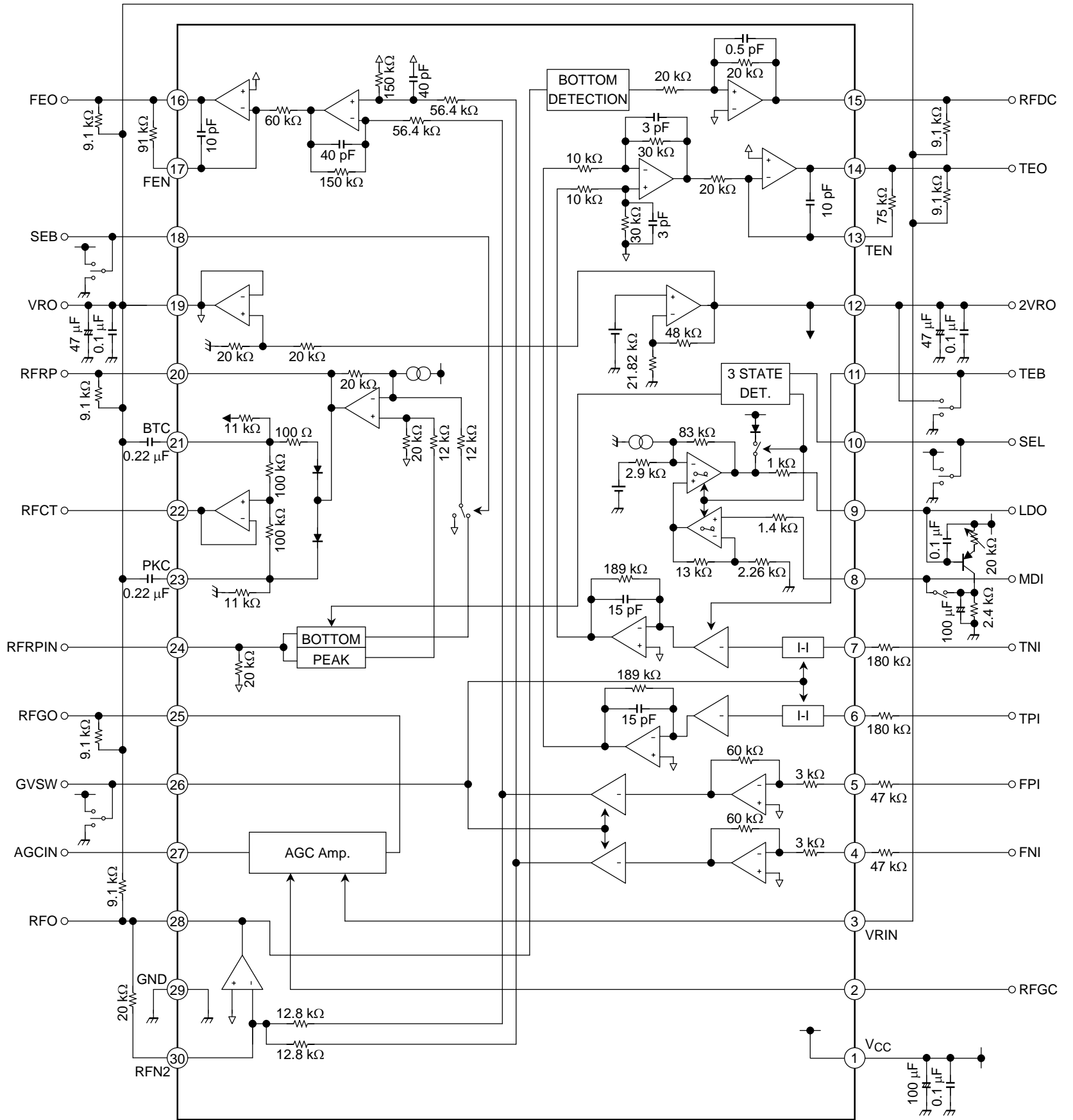
Characteristics		Symbol	Test Circuit	Test Condition	Min	Typ.	Max	Unit
Power supply	Assured power supply voltage	V_{CC}	—	—	4.5	5.0	5.5	V
	Power supply current 1 (normal mode)	I_{CC1}	—	SEL = HiZ REGC = HiZ	23	33	43	mA
	Power supply current 2 (CD-RW mode)	I_{CC2}						
Reference voltage (2VRO)	Reference voltage	2VR	—	—	4.0	4.2	4.4	V
	Output current	I_{OH2}	—	$\Delta V = -0.2\text{ V}$	2.0	—	—	mA
	Input current	I_{OL2}	—	$\Delta V = +0.1\text{ V}$	0.1	—	—	
Reference voltage (VRO)	Reference voltage	VR	—	—	2.0	2.1	2.2	V
	Reference voltage limit	ΔVR	—	$2 \times VR/2VR - 1$	-3.0	0.0	—	%
	Output current	I_{OH1}	—	$\Delta V = -0.2\text{ V}$	5.0	—	—	mA
	Input current	I_{OL1}	—	$\Delta V = +0.1\text{ V}$	5.0	—	—	
RF1	Transfer resistance1 (normal mode)	R_{T1}	—	f = 100 kHz Rf = 20 k Ω	153	180	207	k Ω
	Transfer resistance2 (CD-RW mode)	R_{T2}						
	Frequency band width1 (normal mode)	fc1	—	-3dB point Rf = 20 k Ω	—	8	—	MHz
	Frequency band width2 (CD-RW mode)	fc2						
	Output slew rate	SR	—	$C_{RFO} = 20\text{ pF}$	—	20	—	V/ μs
	Output offset voltage 1 (normal mode)	V_{OS1}	—	VR Reference Rf = 20 k Ω Input: Open	—	-50	—	mV
	Output offset voltage 2 (CD-RW mode)	V_{OS2}						
	Upper limit output voltage	V_{OH}	—	GND Reference	3.8	—	—	V
	Lower limit output voltage	V_{OL}						
	Permissible load resistance	R_{LM}	—	—	10	—	—	k Ω
RF2 (AGC)	Lower limit voltage gain	G_{VL}	—	f = 100 kHz	0.6	0.7	0.8	V/V
	Upper limit voltage gain	G_{VH}						
	Frequency band width	fc	—	-3dB point	—	20	—	MHz
	Output slew rate	SR	—	$C_{RFO} = 20\text{ pF}$	—	20	—	V/ μs
	Output offset voltage	V_{OS}	—	VR Reference, Input: Open	—	100	—	mV
	Upper limit output voltage	V_{OH}	—	GND Reference	3.8	—	—	V
	Lower limit output voltage	V_{OL}						
	Permissible load resistance	R_{LM}	—	—	10	—	—	k Ω
APC	Voltage gain	Gv	—	f = 1 kHz	—	200	—	V/V
	Operation ref. Voltage	V_{MDI}	—	$V_{LDO} = 3.5\text{ V}_{DC}$	170	178	192	mV
	LD off voltage	V_{LDOP}	—	SEL = GND, V_{CC} Reference	-0.7	—	—	V
	Input bias current	I_I	—	MDI = 178 mV	-200	—	200	nA

Characteristics		Symbol	Test Circuit	Test Condition	Min	Typ.	Max	Unit		
FE	Transfer resistance 1 (normal mode)	R _{T1}	—	f = 1 kHz R _{NF} = 91 kΩ	GVSW = V _{CC}	197	232	267	kΩ	
	Transfer resistance 2 (CD-RW mode)	R _{T2}			GVSW = GND	0.89	1.05	1.20	MΩ	
	Gain balance 1 (normal mode)	GB1	—	f = 1 kHz R _{NF} = 91 kΩ	GVSW = V _{CC}	-1.0	—	1.0	dB	
	Gain balance 2 (CD-RW mode)	GB2			GVSW = GND	-1.0	—	1.0		
	Frequency band width1 (normal mode)	fc1	—	-3dB point R _{NF} = 91 kΩ	GVSW = V _{CC}	—	26.5	—	kHz	
	Frequency band width2 (CD-RW mode)	fc2			GVSW = GND	—	26.5	—		
	Output offset voltage 1 (normal mode)	V _{OS1}	—	R _{NF} = 91 kΩ VR Reference	GVSW = V _{CC}	-20	—	20	mV	
	Output offset voltage 2 (CD-RW mode)	V _{OS2}			GVSW = GND	-50	—	50		
	Upper limit output voltage	V _{OH}	—	GND Reference		3.8	—	—	V	
	Lower limit output voltage	V _{OL}				—	—	0.5		
	Permissive load resistance	R _{LM}	—	—		10	—	—	kΩ	
TE	Transfer resistance 1 (normal mode)	R _{T1}	—	f = 1 kHz R _{NF} = 75 kΩ TEB = HiZ	GVSW = V _{CC}	1.81	2.13	2.45	MΩ	
	Transfer resistance 2 (CD-RW mode)	R _{T2}			GVSW = GND	8.15	9.59	11.02		
	Voltage gain adjustable range	max voltage ratio	ΔGv	—	T _{NI} input R _{NF} = 75 kΩ TEB = VR Reference	TEB = GND	—	45	—	%
						TEB = 2VR	—	-45	—	
	Gain balance 1 (normal mode)	GB1	—	f = 1 kHz R _{NF} = 75 kΩ TEB = VR	GVSW = V _{CC}	-1.0	—	1.0	dB	
	Gain balance 2 (CD-RW mode)	GB2			GVSW = GND	-1.0	—	1.0		
	Frequency band width1 (normal mode)	fc1	—	-3dB point R _{NF} = 75 kΩ	GVSW = V _{CC}	—	44	—	kHz	
	Frequency band width2 (CD-RW mode)	fc2			GVSW = GND	—	44	—		
	Output offset voltage 1 (normal mode)	V _{OS1}	—	R _{NF} = 75 kΩ VR Reference	GVSW = V _{CC}	-80	—	80	mV	
	Output offset voltage 2 (CD-RW mode)	V _{OS2}			GVSW = GND	-300	—	300		
	Upper limit output voltage	V _{OH}	—	GND Reference		3.8	—	—	V	
Lower limit output voltage	V _{OL}				—	—	0.5			
Permissive load resistance	R _{LM}	—	—		10	—	—	kΩ		
RFDC FNI (FPI) → RFDC	Detection frequency	f _C	—	—	—	40	—	kHz		
	Upper limit output voltage	V _{OH}	—	GND Reference		3.3	—	—	V	
	Lower limit output voltage	V _{OL}				—	—	0.9		
	Permissive load resistance	R _{LM}	—	—		10	—	—	kΩ	

Characteristics		Symbol	Test Circuit	Test Condition	Min	Typ.	Max	Unit
RFRP	Voltage gain	Gv	—	—	—	1.7	—	V/V
	Detection frequency characteristic 1	fc1	—	SEL = HiZ	—	100	—	kHz
	Detection frequency characteristic 2	fc2		SEL = V _{CC}	—	200	—	
	Operation reference voltage 1	V _{OPR1}	—	VR Reference No Input	-1.1	-1.0	-0.9	V
	Operation reference voltage 2	V _{OPR2}		VR Reference 700 kHz, 1.2 V _{p-p}	0.7	0.8	0.9	
	Permissive load resistance	R _{LM}	—	—	10	—	—	kΩ
RFCT	Detection frequency characteristic 1	fc1	—	C _{BTC} = 0.22 μF	—	70	—	Hz
RFRP →RFCT	Detection frequency characteristic 2	fc2		C _{PKC} = 0.22 μF	—	70	—	
	Output offset voltage	V _{OS}	—	RFRP Reference, RFCT	-50	—	50	mV

Note: If the IC is used abnormally (ex. wrongly mounted), it may be damaged or destroyed.

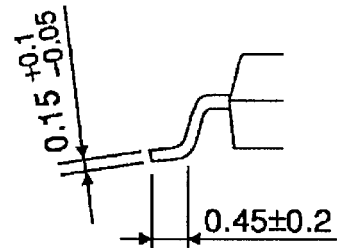
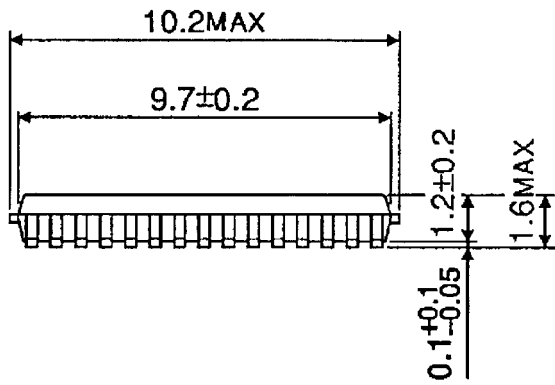
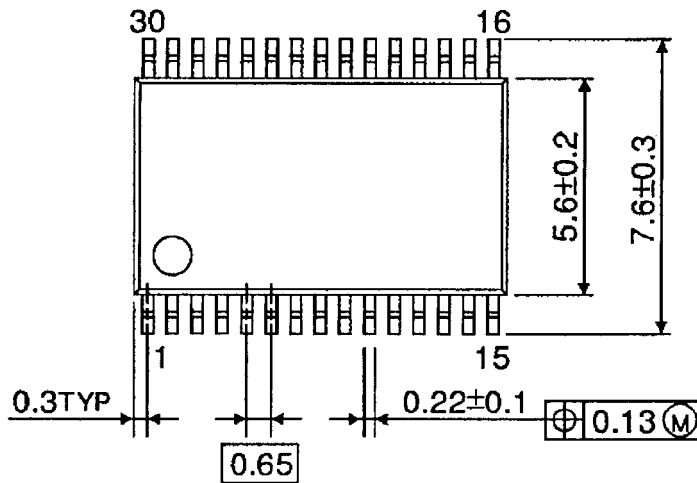
Test Circuit



Package Dimensions

SSOP30-P-300-0.65

Unit : mm



Weight: 0.17 g (typ.)

RESTRICTIONS ON PRODUCT USE

000707EBA

- TOSHIBA is continually working to improve the quality and reliability of its products. Nevertheless, semiconductor devices in general can malfunction or fail due to their inherent electrical sensitivity and vulnerability to physical stress. It is the responsibility of the buyer, when utilizing TOSHIBA products, to comply with the standards of safety in making a safe design for the entire system, and to avoid situations in which a malfunction or failure of such TOSHIBA products could cause loss of human life, bodily injury or damage to property.
In developing your designs, please ensure that TOSHIBA products are used within specified operating ranges as set forth in the most recent TOSHIBA products specifications. Also, please keep in mind the precautions and conditions set forth in the "Handling Guide for Semiconductor Devices," or "TOSHIBA Semiconductor Reliability Handbook" etc..
- The TOSHIBA products listed in this document are intended for usage in general electronics applications (computer, personal equipment, office equipment, measuring equipment, industrial robotics, domestic appliances, etc.). These TOSHIBA products are neither intended nor warranted for usage in equipment that requires extraordinarily high quality and/or reliability or a malfunction or failure of which may cause loss of human life or bodily injury ("Unintended Usage"). Unintended Usage include atomic energy control instruments, airplane or spaceship instruments, transportation instruments, traffic signal instruments, combustion control instruments, medical instruments, all types of safety devices, etc.. Unintended Usage of TOSHIBA products listed in this document shall be made at the customer's own risk.
- The products described in this document are subject to the foreign exchange and foreign trade laws.
- The information contained herein is presented only as a guide for the applications of our products. No responsibility is assumed by TOSHIBA CORPORATION for any infringements of intellectual property or other rights of the third parties which may result from its use. No license is granted by implication or otherwise under any intellectual property or other rights of TOSHIBA CORPORATION or others.
- The information contained herein is subject to change without notice.