



## Capacitors for Power Electronics

**Series/Type:**        **B25667A**

The following products presented in this data sheet are being withdrawn.

| Ordering Code   | Substitute Product | Date of Withdrawal | Deadline Last Orders | Last Shipments |
|-----------------|--------------------|--------------------|----------------------|----------------|
| B25667A3147A375 | B25667B3147A375    | 2004-09-10         |                      |                |

For further information please contact your nearest EPCOS sales office, which will also support you in selecting a suitable substitute. The addresses of our worldwide sales network are presented at [www.epcos.com/sales](http://www.epcos.com/sales).

**Characteristics**

|                 |          |                           |        |
|-----------------|----------|---------------------------|--------|
| $C_N$           | $\Delta$ | 3x 49,8 $\mu$ F $\pm$ 5 % |        |
| $U_N$           |          | AC 400 V                  |        |
| $f_N$           |          | 50 Hz                     | 60 Hz  |
| $Q_N$           |          | 7,5 kvar                  | 9 kvar |
| $I_N$           |          | 3x 11 A                   | 13 A   |
| $\tan \delta_0$ |          | 0,2 W/kvar (dielectric)   |        |

**Maximum ratings**

|                 |   |
|-----------------|---|
| $U_{max}$       | AC 440 V, 8 h daily                               |
|                 | AC 520 V, 1 min                                   |
| $I_r(40)$       | 3x 20 A ( $\Theta_A = 40^\circ\text{C}$ , $U_N$ ) |
| $I_s$           | 3000 A  |
| $(du/dt)_{max}$ | 14 V/ $\mu$ s                                     |
| $(du/dt)_s$     | 35 V/ $\mu$ s                                     |

**Test data**

|                       |                           |
|-----------------------|---------------------------|
| $U_{TT}$              | AC 900 V, 10 s            |
| $U_{TC}$              | AC 3000 V, 10 s           |
| $\tan \delta$ (50 Hz) | $\leq$ 0,5 W/kvar (total) |

**Climatic category -40/D**

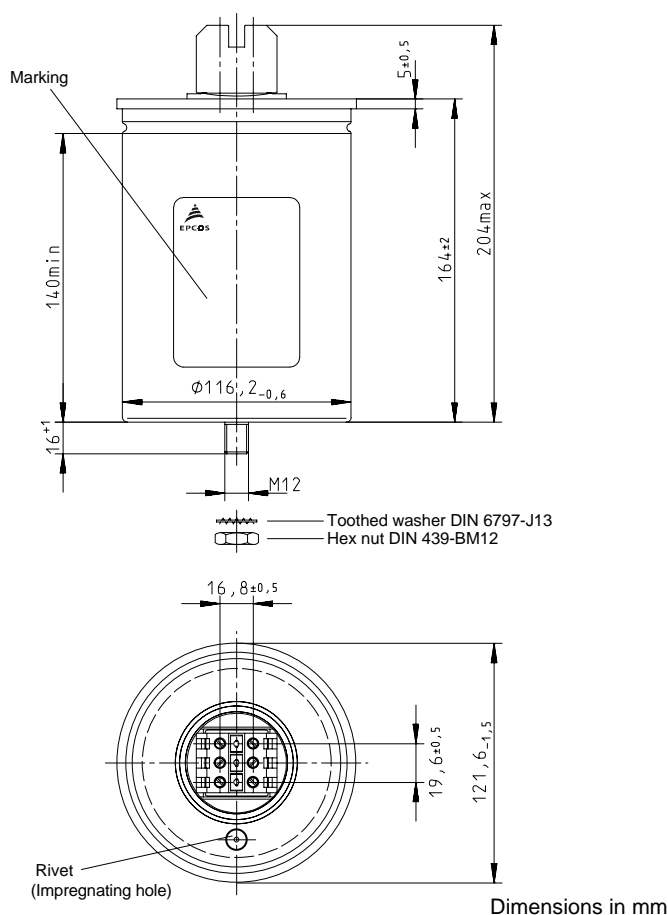
|                |                                    |
|----------------|------------------------------------|
| $\Theta_{min}$ | -40 °C                             |
| $\Theta_{max}$ | +55 °C                             |
| Humidity       | Max. relative Humidity $\leq$ 95 % |
| $\Theta_{stg}$ | -55 bis +70 °C                     |

**Life expectancy**

|          |           |
|----------|-----------|
| $t_{LD}$ | 100 000 h |
|----------|-----------|

**Remarks**

Natural cooling



**Design data**

|                                |                                 |
|--------------------------------|---------------------------------|
| Dimensions $\varnothing$ x l   | 121,6 x 164 mm (4,79 x 6,46 in) |
| Approx. weight                 | 1,2 kg (2,6 lb)                 |
| Impregnation                   | Gas                             |
| Fixing                         | Threaded bolt M12               |
| Mounting hole                  | 14 mm (0,55 in)                 |
| Max. torque                    | 10 Nm                           |
| Terminals                      | Isolated terminal, IP20         |
| Max. torque                    | 1,2 Nm                          |
| Terminal cross section         | 16 mm <sup>2</sup> (5 AWG)      |
| Creepage distance              | 12,7 mm (0,50 in)               |
| Clearance                      | 9,6 mm (0,38 in)                |
| Overpressure disconnecter      |                                 |
| Any mounting position possible |                                 |