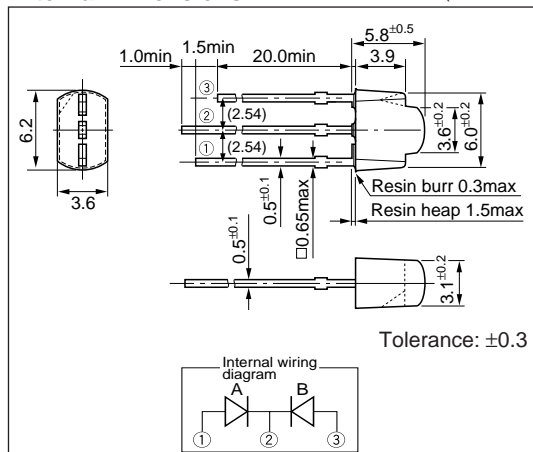


# 3.3×6 Bow-shaped Bicolor LED (Direct Mount)

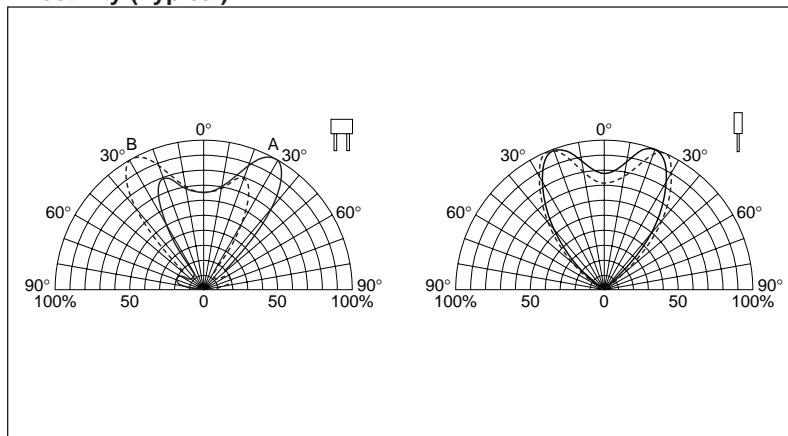
## SML70023 Series

### External Dimensions

(Unit: mm)



### Directivity (Typical)



### Absolute maximum ratings (Ta=25°C)

Symbol	Unit	Rating	Condition
$I_F$	mA	30	
$\Delta I_F$	mA/°C	-0.45	Above 25°C
$I_{FP}$	mA	100	f=1kHz, tw≤100μs
$V_R$	V	4	
Top	°C	-30 to +85	
Tstg	°C	-30 to +100	

### Electrical Optical characteristics (Ta=25°C)

#### ●Common cathode

Emitting color	Part Number	Lens color	Forward voltage		Condition	Reverse current		Intensity		Peak wavelength		Spectrum half width		Chip material
			$V_F$	$V_F$		$I_R$	Condition	$I_V$	Condition	$\lambda_P$	Condition	$\Delta\lambda$	Condition	
			(V)	(V)	(μA)	$V_R$	(mcd)	$I_F$	(nm)	$I_F$	(nm)	$I_F$	(mA)	
A Red	SML72423C	Clear	1.9	2.5	10	10	4	25	20	630	10	35	10	GaAsP
B Green			2.0	2.5	10	10	4	35	20	560	10	20	10	GaP
A Red	SML72923C	Clear	1.9	2.5	10	10	4	25	20	630	10	35	10	GaAsP
B Orange			1.9	2.5	10	10	4	25	20	587	10	33	10	GaAsP
A Amber	SML78423C	Clear	1.9	2.5	10	10	4	25	20	610	10	35	10	GaAsP
B Green			2.0	2.5	10	10	4	35	20	560	10	20	10	GaP
A Ultra-high-intensity orange	SMLS79723C	Clear	2.0	2.5	10	100	4	150	20	590	10	15	10	AlGaInP
B Yellow			2.0	2.5	10	10	4	40	20	570	10	30	10	GaP
A Orange	SML79423C	Clear	1.9	2.5	10	10	4	25	20	587	10	33	10	GaAsP
B Green			2.0	2.5	10	10	4	35	20	560	10	20	10	GaP