

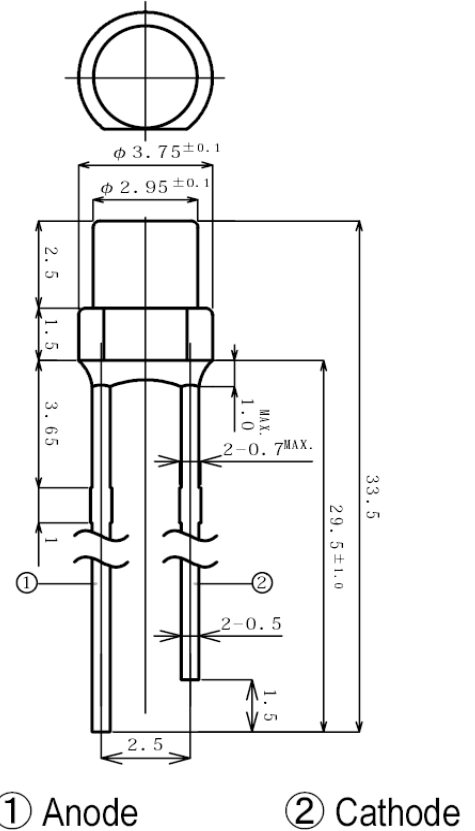
MTD1350

Features

High reliability
 Low dark current
 Narrow angular response
 Ultra high speed

Applications

Optical switches
 Edge sensing
 Smoke detectors



Maximum Ratings (Ta=25°C)

Characteristic	Symbol	Max.	Test Condition	Unit
Reverse Voltage	V _R	20	-	V
Power Dissipation	P _d	50.00	-	mW
Operating Temperature	T _{opr}	-20 ~ +85	-	°C
Storage Temperature	T _{stg}	-30 ~ +100	-	°C
Junction Temperature	T _j	+100°	-	°C
Soldering Temperature	T _{sol}	260°	for 5 sec. max	°C

Opto-Electrical Characteristics (Ta=25°C)

Characteristic	Symbol	Test Condition	Min	Typ	Max	Unit
Open Circuit Voltage	V _{oc}	-	-	-	-	V
Light Current	I _L	V _R =10V, E _e =5mW/cm ² *	18.00	23.00	-	μA
Dark Current	I _d	V _R =10V	-	-	10	nA
Spectral Sensitivity	λ	-	-	400~1100	-	μA
Peak Sensitivity Wavelength	λ _p	-	-	940	-	V
Beam Angle	θ	-	-	± 65°	-	deg.
Responsivity	R _i	V _r =0V= 450mm	-	.20	-	A/W
Junction Capacitance	C _j	1MHz, V _R =2.5V	-	6	-	pF

*Color Temperature = 2870°K Standard Tungsten Lamp
 Specifications are subject to change without notice.

MTD1350 Graphs

