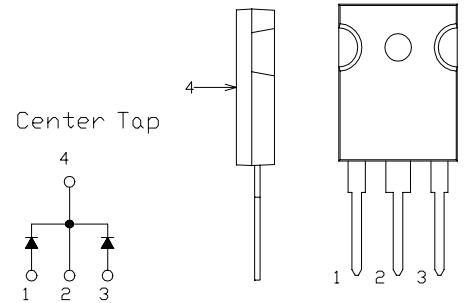


SBD Type : KCH30A09

OUTLINE DRAWING

FEATURES

- * Similar to TO-247AC(TO-3P)Case
- * Dual Diodes – Cathode Common
- * Low Forward Voltage Drop
- * Low Power Loss,High Efficiency
- * High Surge Current Capability
- * Tj=150°C operation



Maximum Ratings

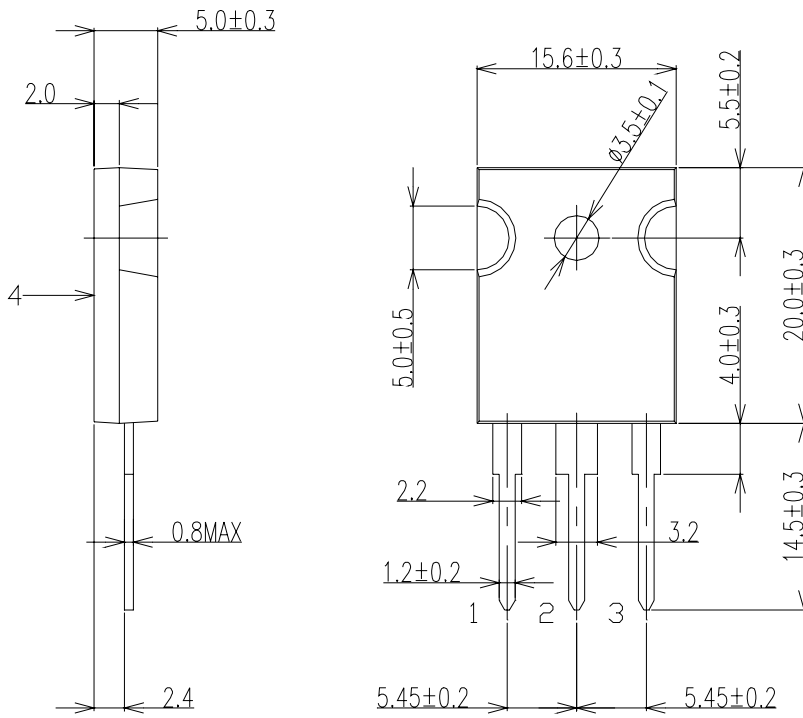
Approx Net Weight: 5.55g

Rating	Symbol	KCH30A09		Unit
Repetitive Peak Reverse Voltage	V_{RRM}	90		V
Average Rectified Output Current	I_O	30	$T_c=112^\circ\text{C}$ 50 Hz Full Sine Wave Resistive Load	A
RMS Forward Current	$I_{F(RMS)}$	33.3		A
Surge Forward Current	I_{FSM}	250	50Hz Full Sine Wave ,1cycle Non-repetitive	A
Operating JunctionTemperature Range	T_{jw}	-40 to +150		°C
Storage Temperature Range	T_{stg}	-40 to +150		°C
Mounting torque	F_{tor}	recommended torque = 0.5		N•m

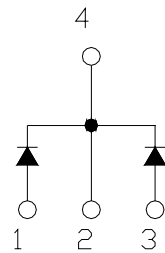
Electrical • Thermal Characteristics

Characteristics	Symbol	Conditions	Min.	Typ.	Max.	Unit
Peak Reverse Current	I_{RM}	$T_j= 25^\circ\text{C}$, $V_{RM}= V_{RRM}$ per Arm	-	-	2	mA
Peak Forward Voltage	V_{FM}	$T_j=25^\circ\text{C}$, $I_{FM}= 15\text{A}$ per Arm	-	-	0.88	V
Thermal Resistance	$R_{th(j-c)}$	Junction to Case	-	-	1.3	°C/W

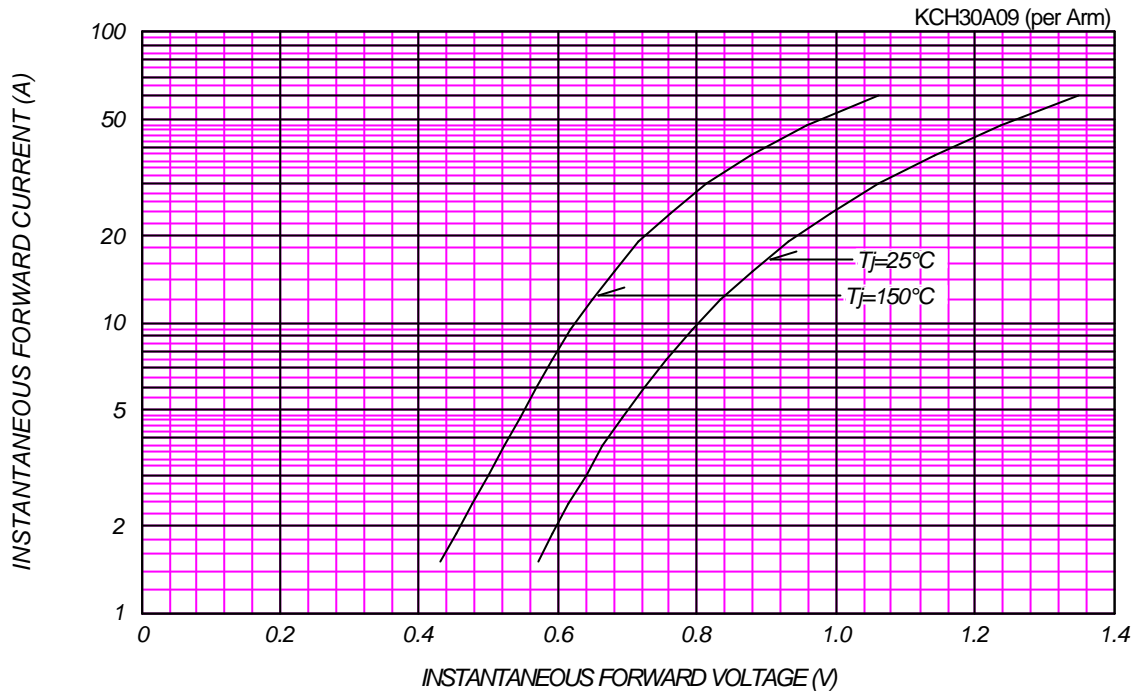
KCH30A09 OUTLINE DRAWING (Dimensions in mm)



Center Tap



FORWARD CURRENT VS. VOLTAGE



AVERAGE FORWARD POWER DISSIPATION

